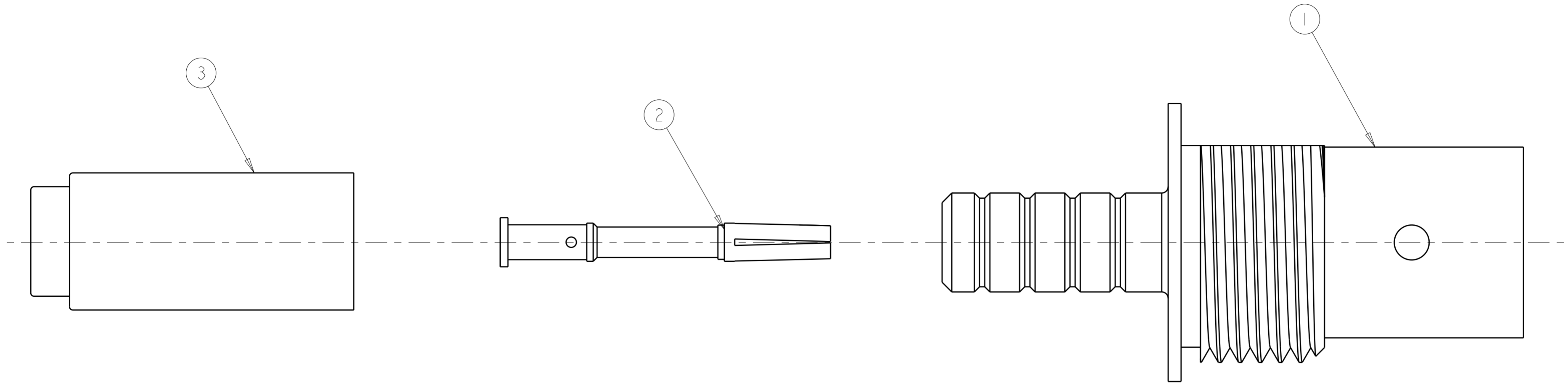
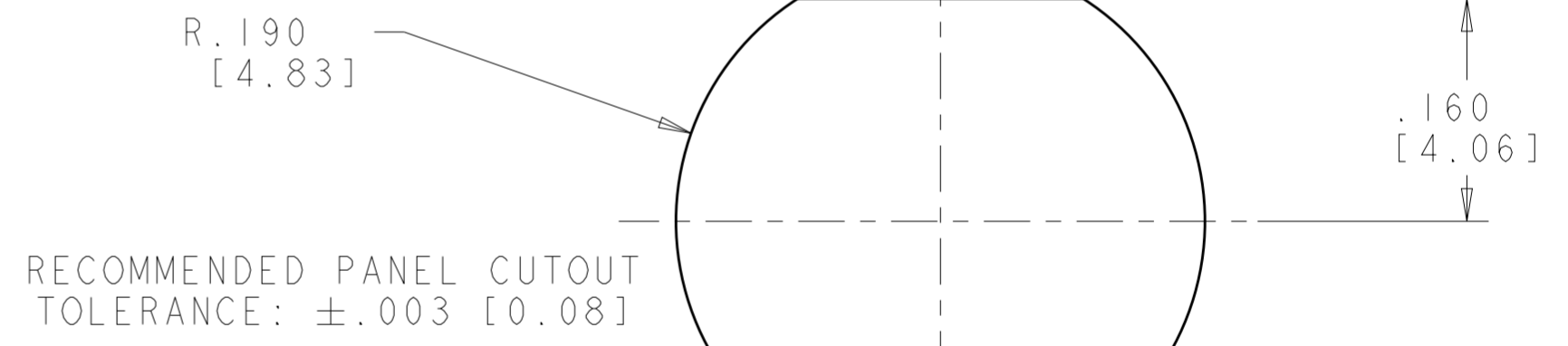


THIS DRAWING IS UNPUBLISHED. RELEASED FOR PUBLICATION 20
 © COPYRIGHT 20 ALL RIGHTS RESERVED.

| LOC | DIST | REVISIONS | | | |
|-----|------|-------------|---------------------------|-----------|-------|
| P | LTR | DESCRIPTION | DATE | DWN | APVD |
| AJ | 16 | E2 | REVISED PER ECR-17-009545 | 17JUL2017 | AS RS |
| | | E3 | ECO-15-013027 | 25JUN2018 | RZ RS |



- 1. ITEMS PACKAGED UNASSEMBLED.
- 2. ITEMS 4 AND 5 NOT SHOWN FOR CLARITY.
- 3. SEE SEPARATE CUSTOMER DRAWINGS FOR ITEM DETAILS.
- 4. SEE INSTRUCTION SHEET 408-8871 FOR CABLE TERMINATION DETAILS.



| | | | | | | | | | |
|----------|-----------------|------------------------|------------------------|-----------------------|-----------------------|-----------------------|----------------------|----------------------|----------------------|
| | RG179 | .042 [1.07] | .178 [4.52] | 1-329492-1 | 2-330249-2 | 9-413658-0 | 1274570-9 | 1274569-3 | 1274568-3 |
| OBSOLETE | 734A | .042 [1.07] | .255 [6.48] | 1-329492-1 | 2-330249-2 | 9-221132-3 | 1274570-6 | 1274569-2 | 1274568-2 |
| OBSOLETE | 735A | .042 [1.07] | .178 [4.52] | 1-329492-1 | 2-330249-2 | 9-413658-2 | 1274570-3 | 1274569-1 | 1274568-1 |
| | CABLE | CONTACT CRIMP (SQUARE) | FERRULE CRIMP (HEX) | ⑤ LOCKWASHER QTY = 1 | ④ JAM NUT QTY = 1 | ③ FERRULE QTY = 1 | ② CONTACT QTY = 1 | ① JACK ASSY QTY = 1 | PART NUMBER |

THIS DRAWING IS A CONTROLLED DOCUMENT.

DWN: K. WEIDNER 02JUN2003
 CHK: G. MICHAEL 13FEB2004
 APVD: K. WEIDNER 13FEB2004

STE TE Connectivity

NAME: BULKHEAD JACK KIT, MINI BNC

SIZE: A2 CAGE CODE: 00779 DRAWING NO: C-1274568 RESTRICTED TO: -

SCALE: 4:1 SHEET 1 OF 1 REV E3

CUSTOMER DRAWING

X-ON Electronics

Largest Supplier of Electrical and Electronic Components

Click to view similar products for [RF Connectors / Coaxial Connectors](#) category:

Click to view products by [TE Connectivity](#) manufacturer:

Other Similar products are found below :

[8915-1511-000](#) [89674-0827](#) [6001-7071-019](#) [6002-7051-003](#) [6002-7551-202](#) [6059674-1](#) [619550-1](#) [630059-000](#) [M39030/3-01N](#) [6500-7071-046](#) [6769](#) [CX050L2AQ](#) [7002-1541-010](#) [7002-1542-011](#) [7004-1512-000](#) [7009-1511-004](#) [7010-1511-000](#) [7029-1511-060](#) [7101-1541-010](#) [7101-1571-002](#) [7145-1521-002](#) [7203-1571-003](#) [7209-1511-011](#) [7210-1511-015](#) [7210-1511-019](#) [73137-5015](#) [73216-2241](#) [73404-2300](#) [7405-1521-005](#) [7405-1521-802](#) [8527](#) [8547](#) [FS11V](#) [877931](#) [8808-1511-001](#) [9049-9513-000](#) [9074-9513-000](#) [9101-9573-002](#) [910A205F](#) [9130-9573-002](#) [PL11SC-026](#) [PL375-33](#) [PL40-5](#) [PL74C-221](#) [PL75MC-217](#) [PL803-7](#) [1200690078](#) [1-201144-1](#) [R107003010W](#) [R110A172100](#)