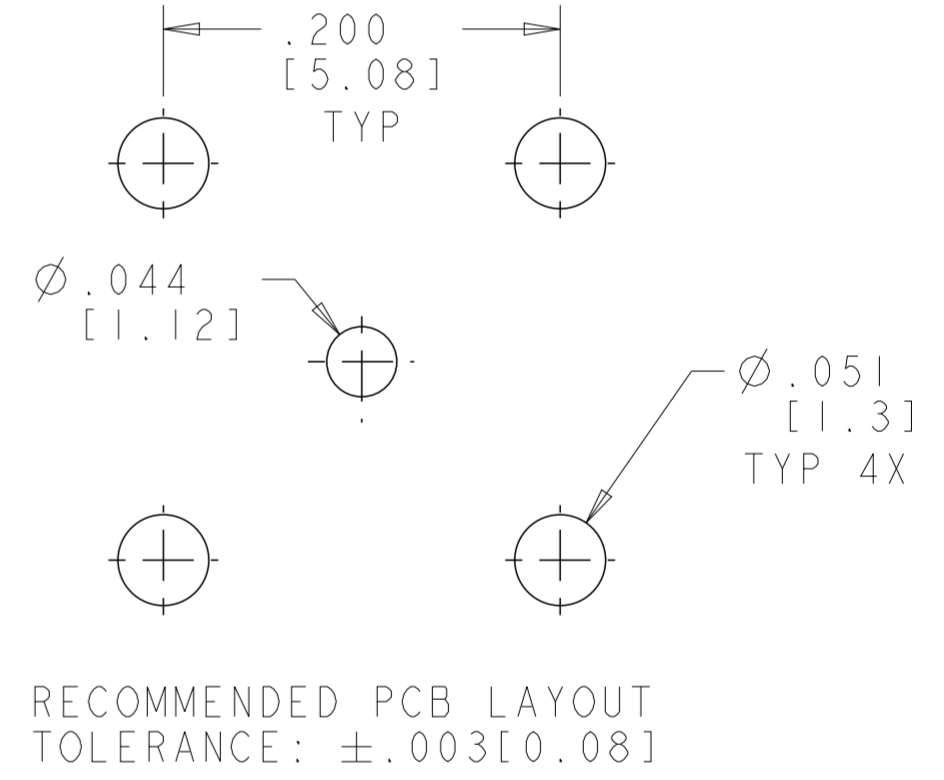
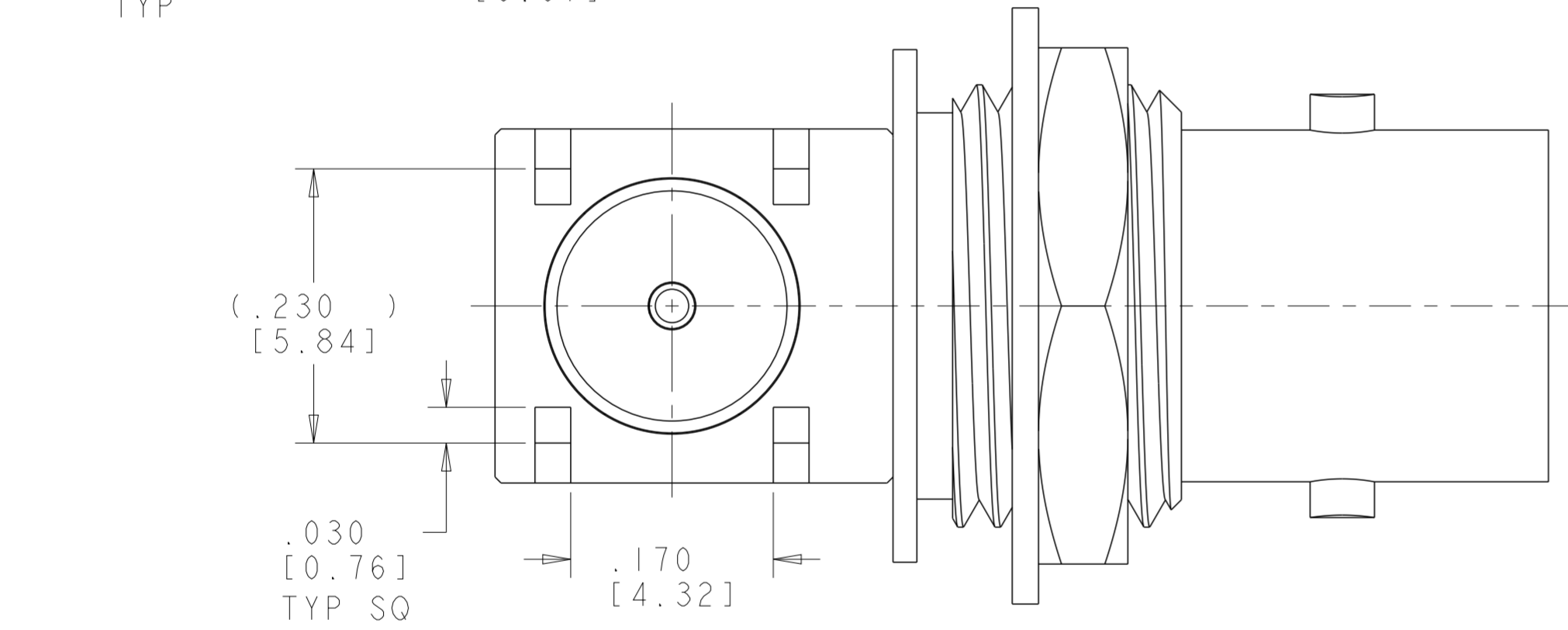
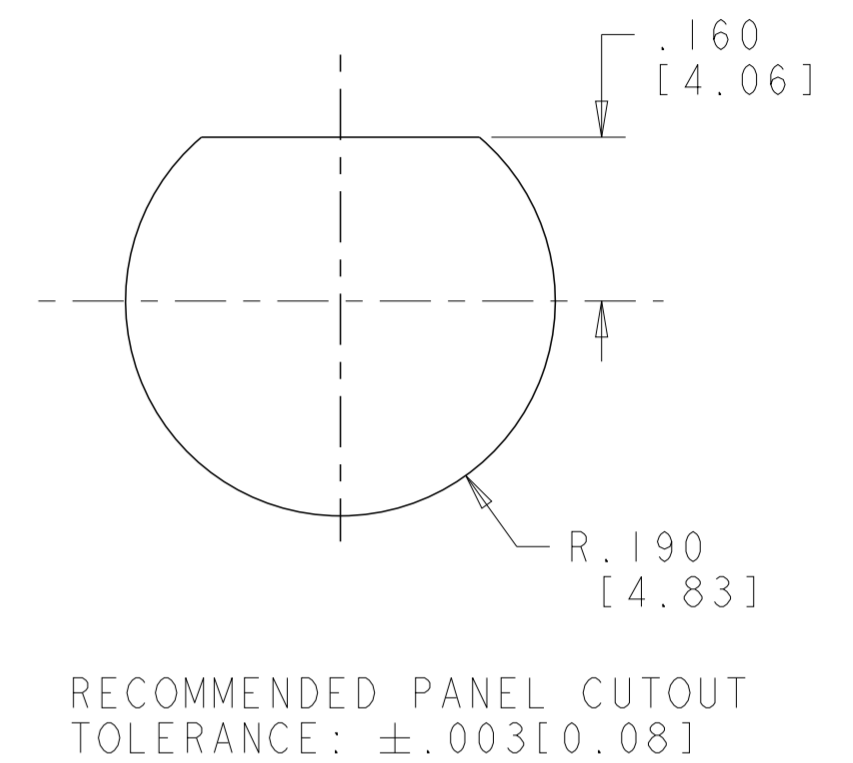
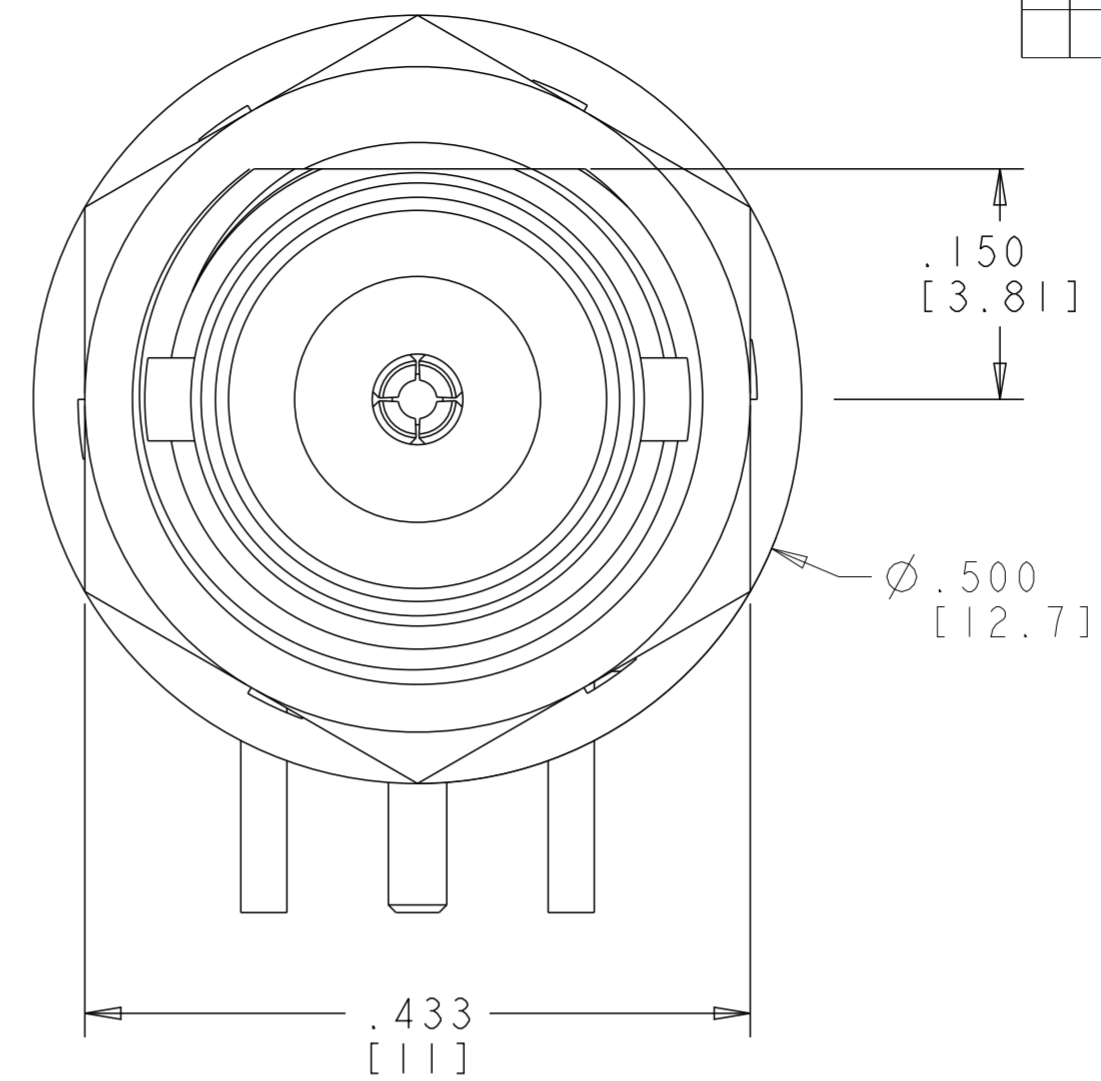
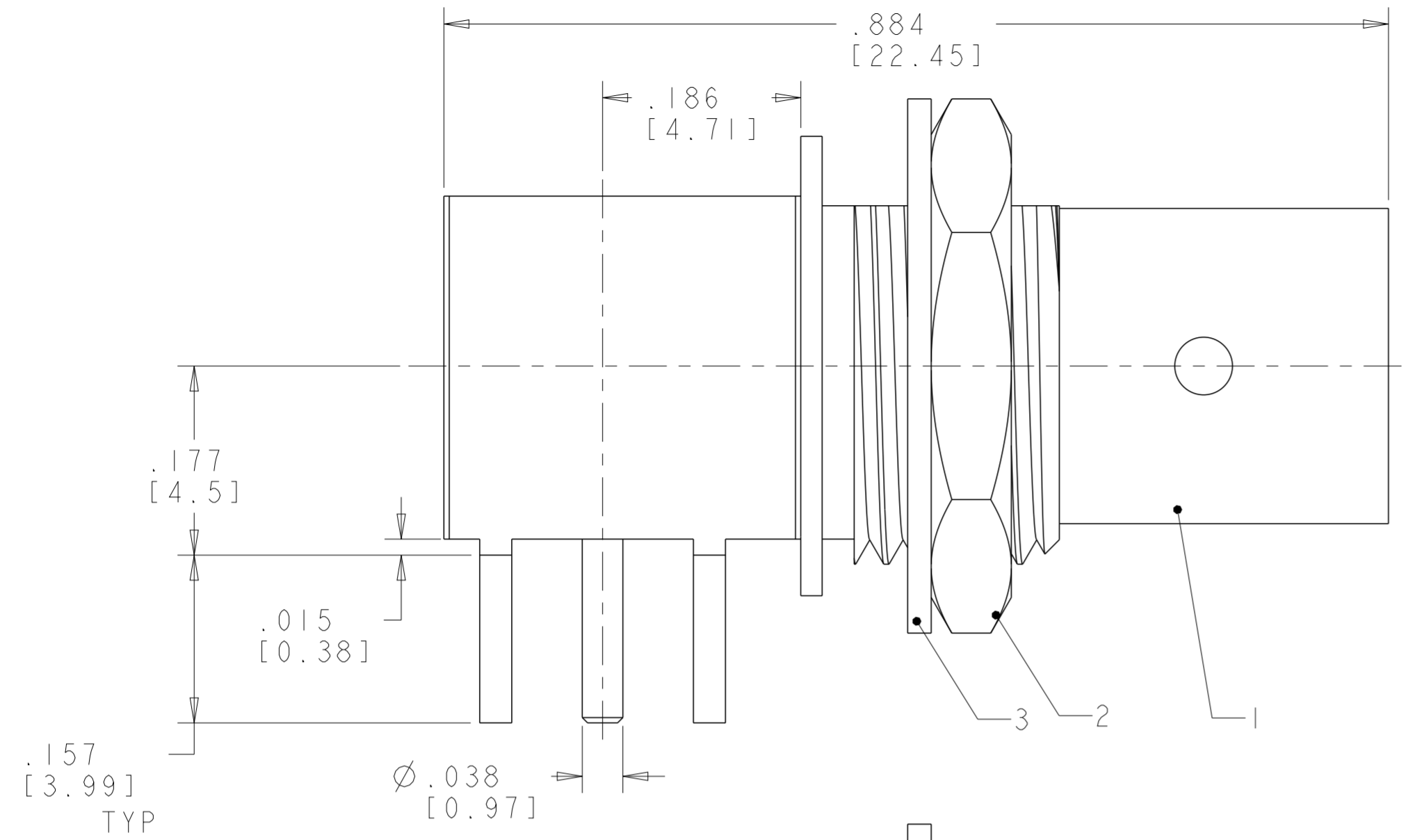


THIS DRAWING IS UNPUBLISHED. RELEASED FOR PUBLICATION
 © COPYRIGHT copyright.d8Te- ALL RIGHTS RESERVED.

REVISIONS					
P	LTR	DESCRIPTION	DATE	DWN	APVD
D1		REVISED PER ECO-11-005027	16MAY2011	RK	HMR
D2		ECR-18-016473	18OCT2018	RZ	RS
D3		ECR-19-003895	12MAR2019	RZ	RS



NOTE
 1. NUT AND WASHER ARE PACKAGED SEPERATELY

ELECTRICAL	MECHANICAL	ENVIRONMENTAL
Impedance (Ohm) <u>50</u> Frequency Range (GHz) <u>DC to 3GHz</u> Voltage Rating (Peak) <u>@ Sea Level 335 V RMS</u> Insulation Resistance (MIN.) <u>5000 M ohms</u> Contact Resistance (mohms MAX) Center Contact <u>3.0</u> Outer Contact <u>2.0</u> Dielectric Withstand Voltage: <u>500 V RMS Max</u> Insertion Loss : <u>N/A</u> dB VSWR: <u>N/A</u>	Interface Dimension <u>N/A</u> Force to Engage (lbs) <u>7 MAX</u> Force to Disengage (lbs) <u>1 MAX</u> Center Contact Captivation Axial (Lbs) <u>2.0</u> Mating cycles <u>500</u> cycles	TEMPERATURE RANGE <u>-55C° TO + 125C°</u> ROHS <u>COMPLIANT</u>

1-329492-1	2-330249-2	1274629-1	1274584-1
3 WASHER	2 NUT	1 SUB-ASSM	PART NUMBER
THIS DRAWING IS A CONTROLLED DOCUMENT.		DWN <u>K. WEIDNER</u> 30 JUL 2003 CHK <u>G. MICHAEL</u> 08 JAN 2004 APVD <u>K. WEIDNER</u> 08 JAN 2004 PRODUCT SPEC <u>108-2159</u> APPLICATION SPEC <u>-</u> MATERIAL <u>-</u> WEIGHT <u>-</u>	
DIMENSIONS: INCHES [mm] TOLERANCES UNLESS OTHERWISE SPECIFIED: 0 PLC ±- 1 PLC ±- 2 PLC ±- 3 PLC ±.005 [0.13] 4 PLC ±- ANGLES ±2 FINISH -		STE TE Connectivity NAME <u>JACK, KIT, R/A, BULKHEAD, PCB, MINI BNC W/HARDWARE</u> SIZE <u>A2</u> CAGE CODE <u>00779</u> DRAWING NO <u>C-1274584</u> RESTRICTED TO CUSTOMER DRAWING SCALE <u>8:1</u> SHEET <u>1</u> OF <u>1</u> REV <u>D3</u>	

X-ON Electronics

Largest Supplier of Electrical and Electronic Components

Click to view similar products for [RF Connectors / Coaxial Connectors](#) category:

Click to view products by [TE Connectivity](#) manufacturer:

Other Similar products are found below :

[8915-1511-000](#) [89674-0827](#) [6001-7071-019](#) [6002-7051-003](#) [6002-7551-202](#) [6059674-1](#) [619550-1](#) [630059-000](#) [M39030/3-01N](#) [6500-7071-046](#) [6769](#) [CX050L2AQ](#) [7002-1541-010](#) [7002-1542-011](#) [7004-1512-000](#) [7009-1511-004](#) [7010-1511-000](#) [7029-1511-060](#) [7101-1541-010](#) [7101-1571-002](#) [7105-1521-002](#) [7145-1521-002](#) [7203-1571-003](#) [7209-1511-011](#) [7210-1511-015](#) [7210-1511-019](#) [73137-5015](#) [73216-2241](#) [73404-2300](#) [7405-1521-005](#) [7405-1521-802](#) [8527](#) [8547](#) [FS11V](#) [877931](#) [8808-1511-001](#) [9074-9513-000](#) [9101-9573-002](#) [910A205F](#) [9130-9573-002](#) [PL11SC-026](#) [PL375-33](#) [PL40-5](#) [PL74C-221](#) [PL75MC-217](#) [PL803-7](#) [1200690078](#) [1-201144-1](#) [R107003010W](#) [R110A172100](#)