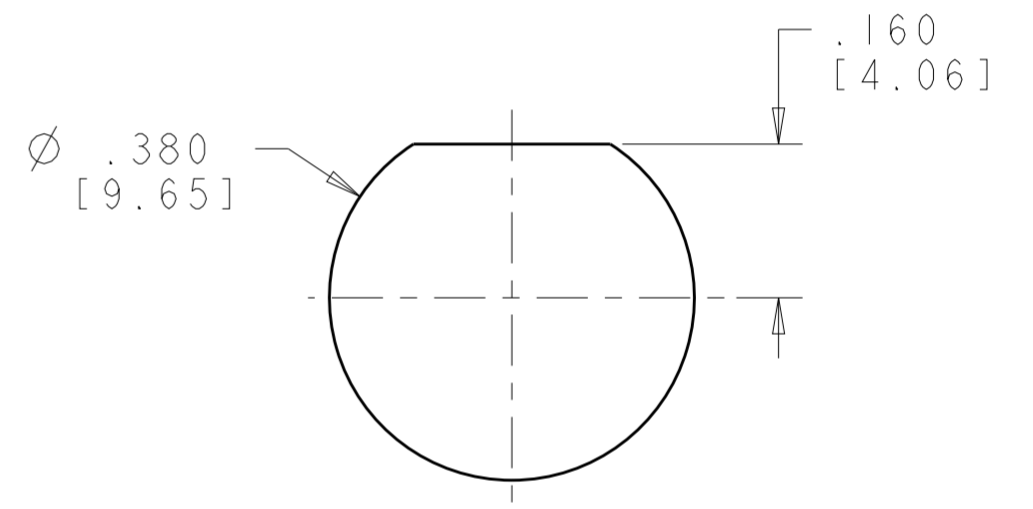
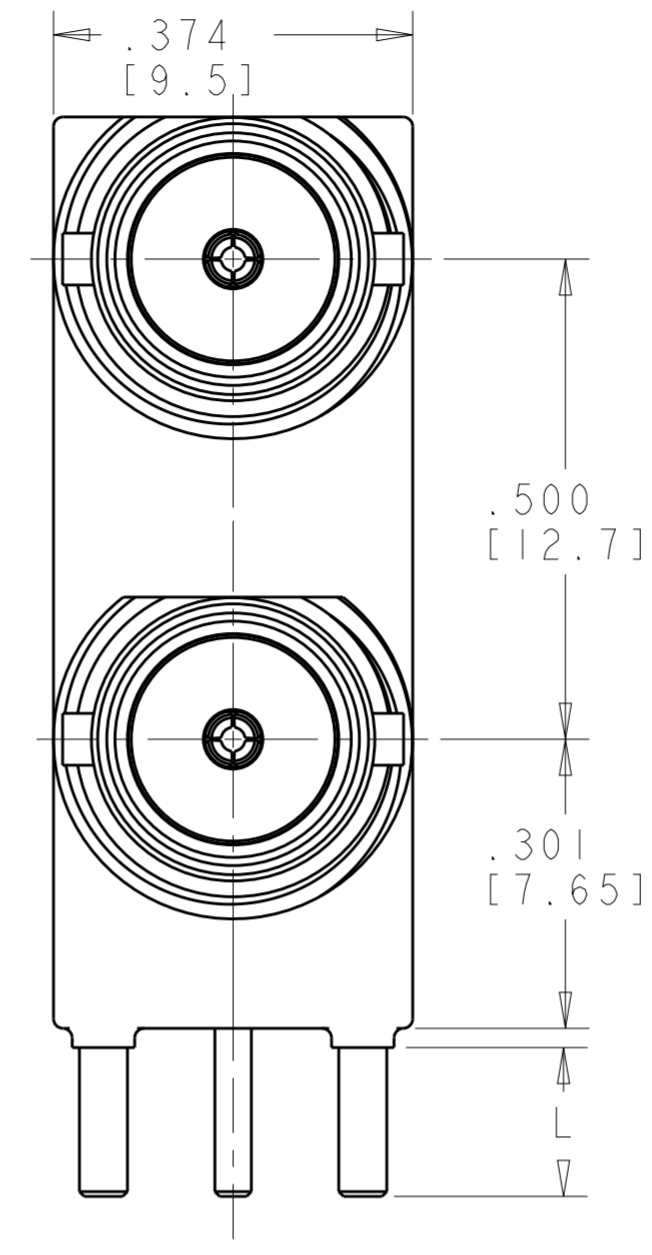
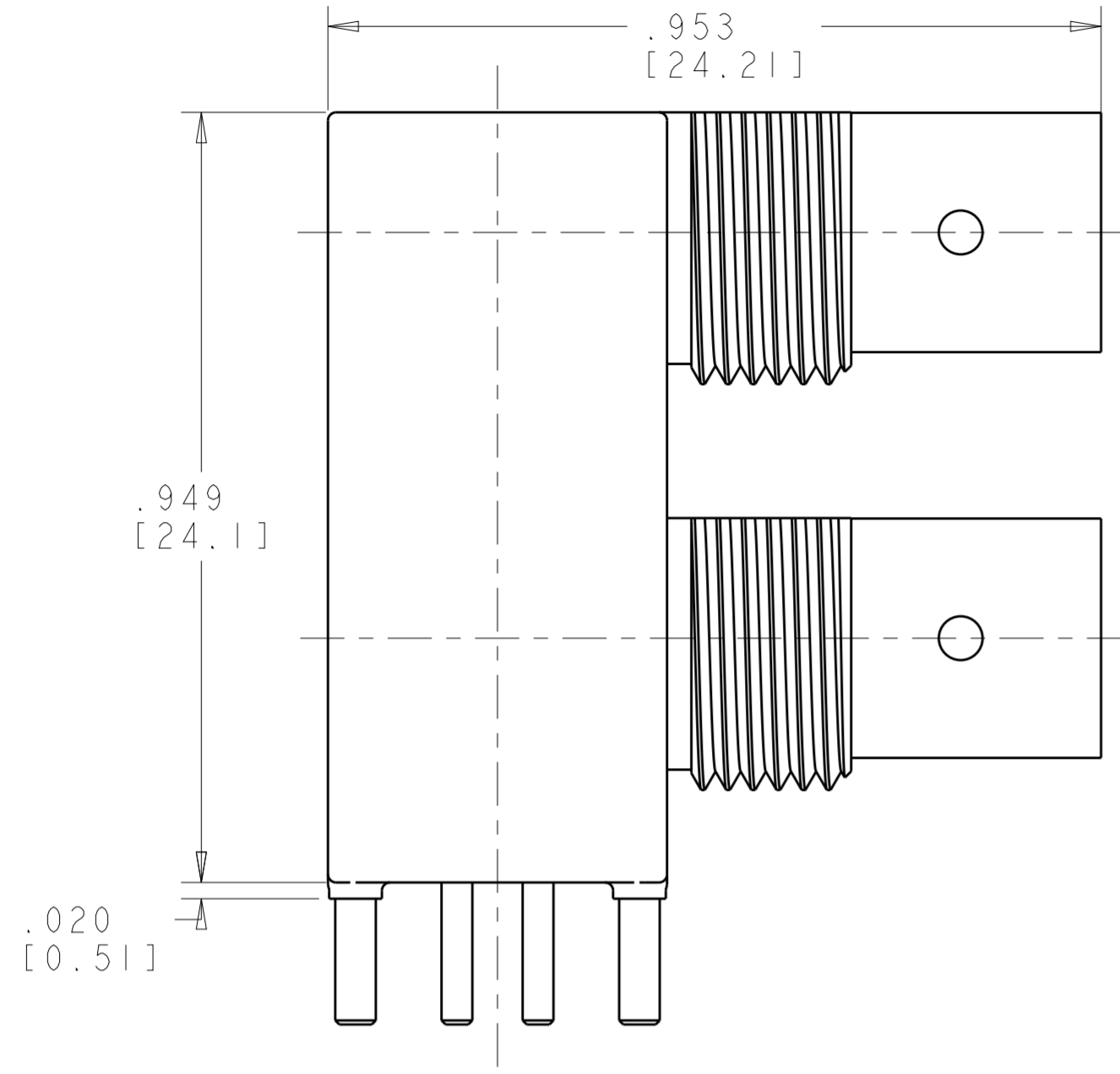
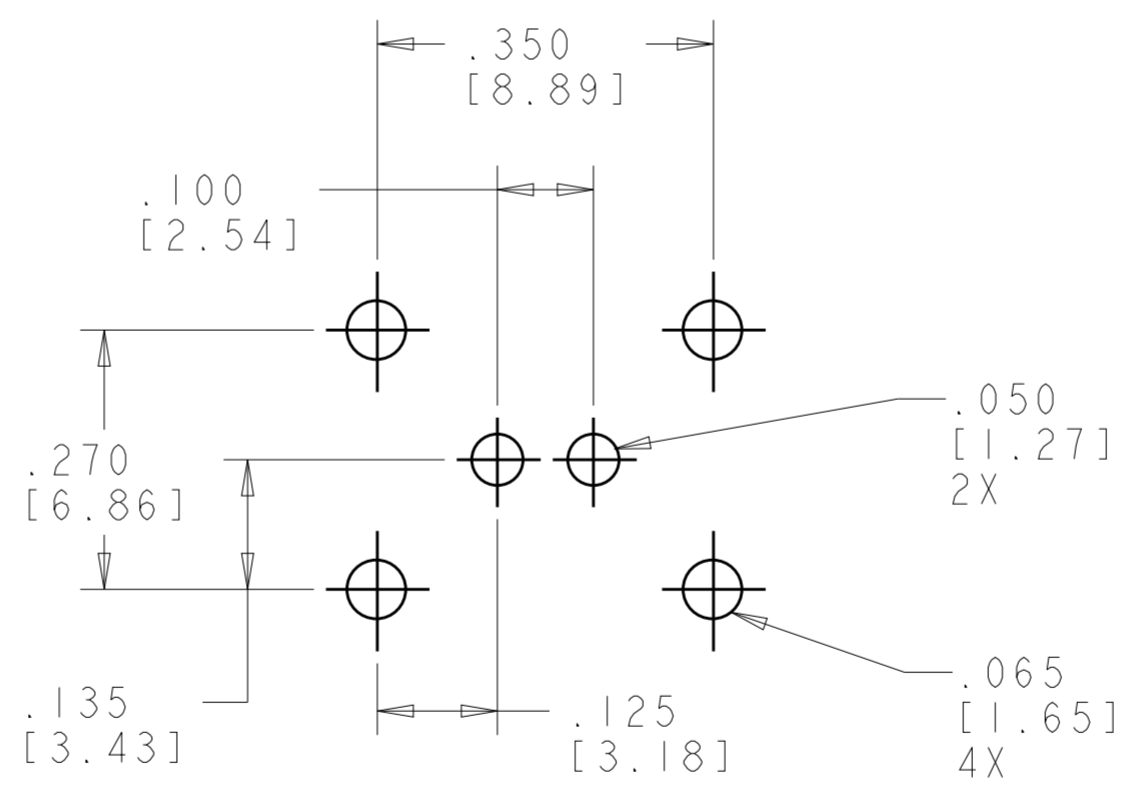
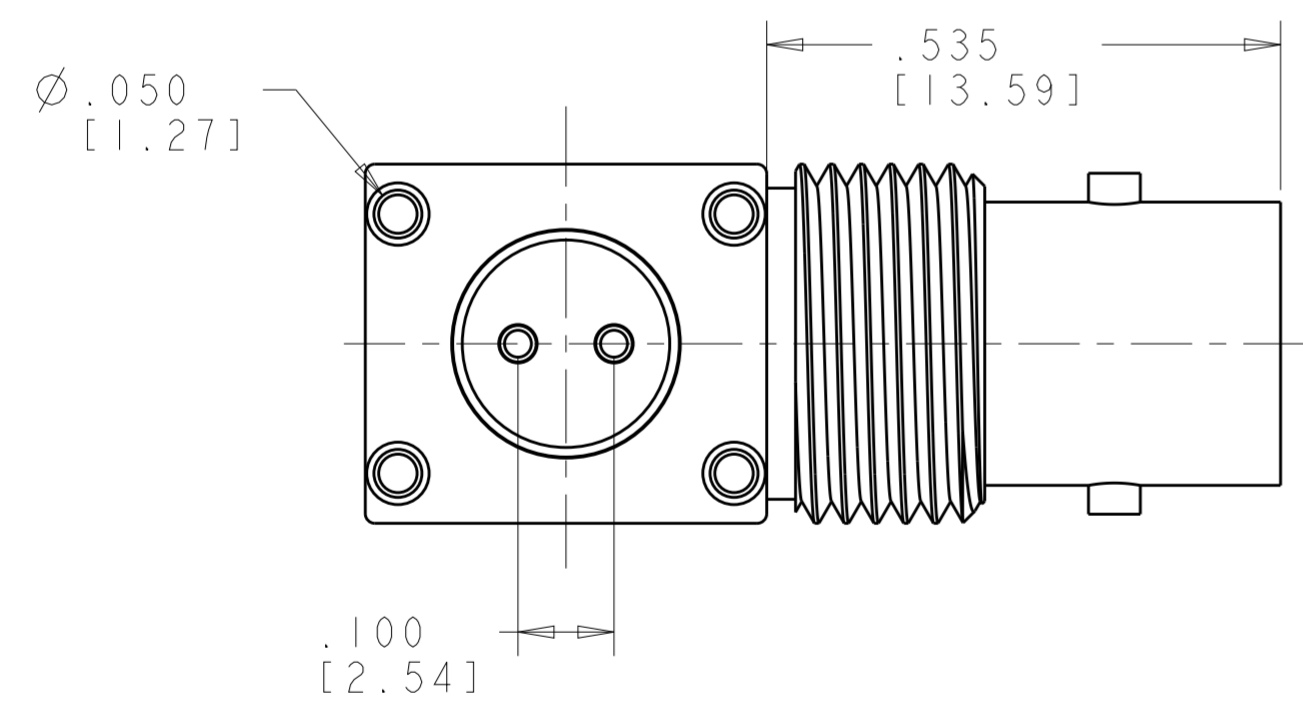


THIS DRAWING IS UNPUBLISHED. RELEASED FOR PUBLICATION 20
 © COPYRIGHT 20 BY TYCO ELECTRONICS CORPORATION. ALL RIGHTS RESERVED.

LOC	DIST	REVISIONS					
		P	LTR	DESCRIPTION	DATE	DWN	APVD
AJ	16		A	REV PER ECO 07-026422	08NOV2007	DW	KW
			AI	ECR-18-008669	06JUN2018	RZ	RS



RECOMMENDED PANEL CUTOUT TYP
 TOLERANCE: ±.003 [0.08]



RECOMMENDED PCB LAYOUT
 (TOLERANCE: ±.003 [0.08])

⚠ P/N INCLUDES 1 CONNECTOR (SEE TABLE AND SHOWN ABOVE), 2 JAM NUTS P/N 1274610-2 AND 2 LOCKWASHERS P/N 1-329492-1 (NOT SHOWN) PACKAGED SEPERATELY

THIS DRAWING IS A CONTROLLED DOCUMENT FOR TYCO ELECTRONICS CORPORATION
 IT IS SUBJECT TO CHANGE AND THE CONTROLLING ENGINEERING ORGANIZATION
 SHOULD BE CONTACTED FOR THE LATEST REVISION.

DIMENSIONS: INCHES [mm]	TOLERANCES UNLESS OTHERWISE SPECIFIED:
	0 PLC ±
	1 PLC ±
	2 PLC ±
	3 PLC ±.005 [0.13]
	4 PLC ±
	ANGLES ±2
MATERIAL	FINISH

.093	1274684-2	△ 1274663-3
.155	1274684-1	△ 1274663-2
L	CONNECTOR	PART NUMBER
DWN K. WEIDNER 12APR2005	Tyco Electronics Harrisburg, PA 17105-3608	
CHK K. WEIDNER 12APR2005	NAME JACK, 2 POSITION, R/A, PCB, MINI BNC KIT	
APVD K. WEIDNER 12APR2005	SIZE A200779	CAGE CODE C-1274663
PRODUCT SPEC 108-2159	DRAWING NO G-1274663	RESTRICTED TO
APPLICATION SPEC	SCALE 5:1	SHEET 1 OF 1
WEIGHT	CUSTOMER DRAWING	REV AI

X-ON Electronics

Largest Supplier of Electrical and Electronic Components

Click to view similar products for [RF Connectors / Coaxial Connectors](#) category:

Click to view products by [TE Connectivity](#) manufacturer:

Other Similar products are found below :

[8915-1511-000](#) [89674-0827](#) [6001-7071-019](#) [6002-7051-003](#) [6002-7551-202](#) [6059674-1](#) [619550-1](#) [630059-000](#) [M39030/3-01N](#) [6500-7071-046](#) [6769](#) [CX050L2AQ](#) [7002-1541-010](#) [7002-1542-011](#) [7004-1512-000](#) [7009-1511-004](#) [7010-1511-000](#) [7029-1511-060](#) [7101-1541-010](#) [7101-1571-002](#) [7105-1521-002](#) [7145-1521-002](#) [7203-1571-003](#) [7209-1511-011](#) [7210-1511-015](#) [7210-1511-019](#) [73137-5015](#) [73216-2241](#) [73404-2300](#) [7405-1521-005](#) [7405-1521-802](#) [8527](#) [8547](#) [FS11V](#) [877931](#) [9049-9513-000](#) [9074-9513-000](#) [9101-9573-002](#) [910A205F](#) [9130-9573-002](#) [PL11SC-026](#) [PL375-33](#) [PL40-5](#) [PL74C-221](#) [PL75MC-217](#) [PL803-7](#) [1200690078](#) [1-201144-1](#) [R107003010W](#) [R110A172100](#)