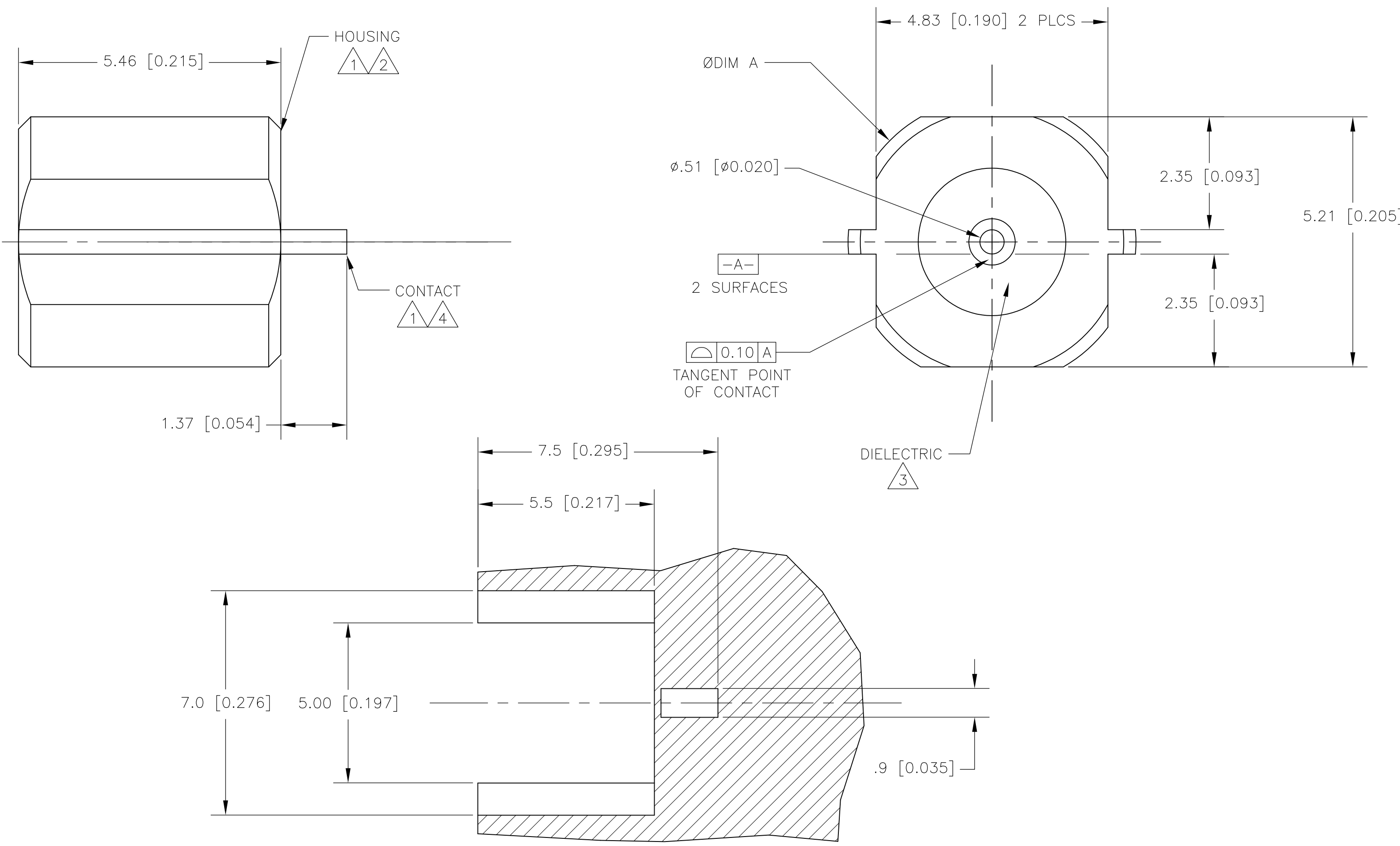


LOC		DIST		REVISIONS					
AJ		16		P	LTR	DESCRIPTION	DATE	OWN	APVD
				B3	ECR-12-005726		27MAR12	RK	MY



SUGGESTED SOLDER PAD CONFIGURATION ONLY
(SCALE 10:1)

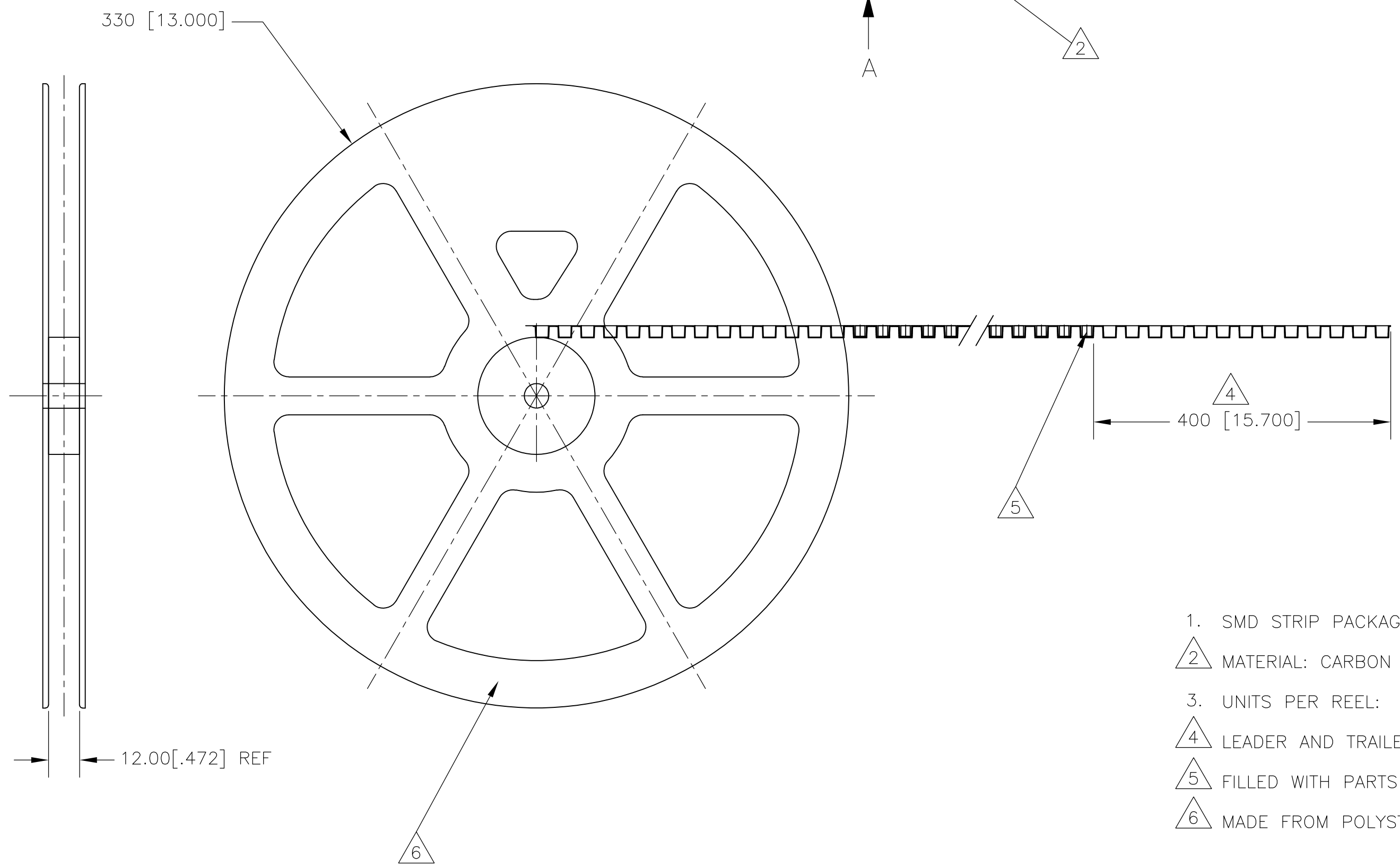
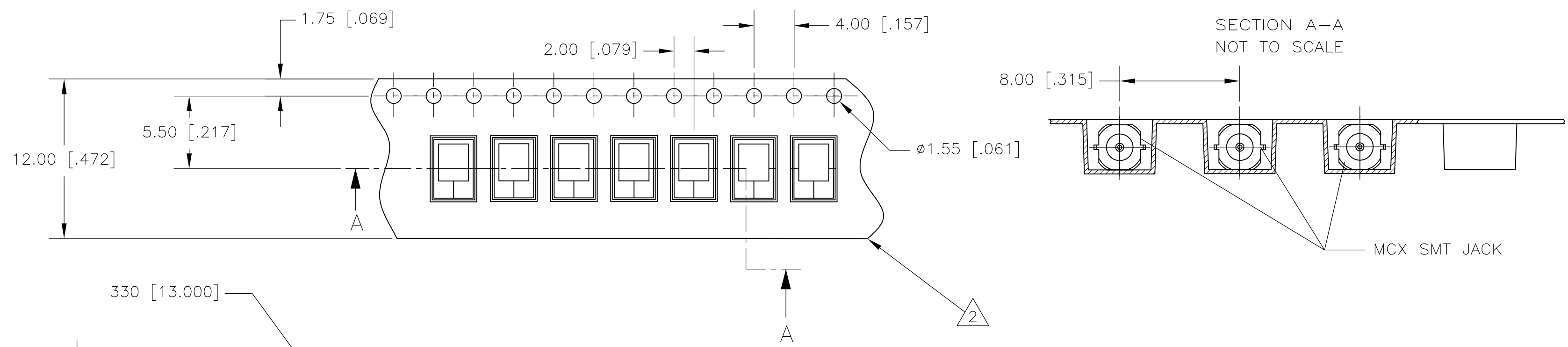
- 1 GOLD PLATE PER ASTM-B-488
- 2 BRASS PER ASTM-B-16
- 3 PTFE PER ASTM-D-1710
- 4 BERYLLIUM COPPER PER ASTM-B-197

Ø6.50 [.256]	1274670-2
Ø5.99 [.236]	1274670-1
DIM A	PART NUMBER

THIS DRAWING IS A CONTROLLED DOCUMENT.		DWN	K. WEIDNER	2/2/05	STE TE Connectivity	
DIMENSIONS: mm [INCHES]		CHK	J. HAVENER	19APR05		
TOLERANCES UNLESS OTHERWISE SPECIFIED:		APVD	J. HAVENER	19APR05	NAME	
0 PLC ± -	1 PLC ± -	PRODUCT SPEC		MCX PCB JACK, SMT EDGE LAUNCH		
2 PLC ± 0.13 [.005]	3 PLC ± -	APPLICATION SPEC		SIZE	CAGE CODE	DRAWING NO
4 PLC ± -	ANGLES ± ± 2'	MATERIAL		A2	00779	1274670
FINISH		WEIGHT		RESTRICTED TO		
-		-		CUSTOMER DRAWING		SCALE 15:1 SHEET 1 OF 2 REV B3

THIS DRAWING IS UNPUBLISHED. RELEASED FOR PUBLICATION
 © COPYRIGHT - By - ALL RIGHTS RESERVED.

LOC	DIST	REVISIONS			
P	LTR	DESCRIPTION	DATE	OWN	APVD
AJ	16	SEE SHEET 1	-	-	-



- 1. SMD STRIP PACKAGING DIMENSIONAL REQUIREMENTS PER EIA 481-1, -2 AND -3
- 2 MATERIAL: CARBON FILLED POLYCARBONATE, ELECTROSTATIC PROTECTIVE
- 3. UNITS PER REEL: APPROX 1,500
- 4 LEADER AND TRAILER FREE OF PARTS BUT SEALED WITH COVER TAPE
- 5 FILLED WITH PARTS BEGINNING HERE
- 6 MADE FROM POLYSTYRENE

THIS DRAWING IS A CONTROLLED DOCUMENT.		DWN K. WEIDNER 2/2/05	TE Connectivity																			
DIMENSIONS: mm [INCHES]		CHK J. HAVENER 19APR05																				
TOLERANCES UNLESS OTHERWISE SPECIFIED:		APVD J. HAVENER 19APR05	NAME MCX PCB JACK, SMT EDGE LAUNCH																			
<table border="1"> <tr><td>0 PLC</td><td>±</td><td>-</td></tr> <tr><td>1 PLC</td><td>±</td><td>-</td></tr> <tr><td>2 PLC</td><td>±</td><td>0.13[.005]</td></tr> <tr><td>3 PLC</td><td>±</td><td>-</td></tr> <tr><td>4 PLC</td><td>±</td><td>-</td></tr> <tr><td>ANGLES</td><td>±</td><td>± 2'</td></tr> </table>		0 PLC	±	-	1 PLC	±	-	2 PLC	±	0.13[.005]	3 PLC	±	-	4 PLC	±	-	ANGLES	±	± 2'	PRODUCT SPEC -	SIZE A2	CAGE CODE 00779
0 PLC	±	-																				
1 PLC	±	-																				
2 PLC	±	0.13[.005]																				
3 PLC	±	-																				
4 PLC	±	-																				
ANGLES	±	± 2'																				
MATERIAL -	FINISH -	APPLICATION SPEC -	DRAWING NO G-1274670	RESTRICTED TO -																		
CUSTOMER DRAWING			SCALE NTS	SHEET 2 OF 2																		
			REV B3																			

X-ON Electronics

Largest Supplier of Electrical and Electronic Components

Click to view similar products for [RF Connectors / Coaxial Connectors](#) category:

Click to view products by [TE Connectivity](#) manufacturer:

Other Similar products are found below :

[8915-1511-000](#) [89674-0827](#) [6001-7071-019](#) [6002-7051-003](#) [6002-7551-202](#) [6059674-1](#) [619550-1](#) [630059-000](#) [M39030/3-01N](#) [6500-7071-046](#) [6769](#) [CX050L2AQ](#) [7002-1541-010](#) [7002-1542-011](#) [7004-1512-000](#) [7009-1511-004](#) [7010-1511-000](#) [7029-1511-060](#) [7101-1541-010](#) [7101-1571-002](#) [7105-1521-002](#) [7145-1521-002](#) [7203-1571-003](#) [7209-1511-011](#) [7210-1511-015](#) [7210-1511-019](#) [73137-5015](#) [73216-2241](#) [73404-2300](#) [7405-1521-005](#) [7405-1521-802](#) [8527](#) [8547](#) [FS11V](#) [877931](#) [9049-9513-000](#) [9074-9513-000](#) [9101-9573-002](#) [910A205F](#) [9130-9573-002](#) [PL11SC-026](#) [PL375-33](#) [PL40-5](#) [PL74C-221](#) [PL75MC-217](#) [PL803-7](#) [1200690078](#) [1-201144-1](#) [R107003010W](#) [R110A172100](#)