

4

3

2

1

THIS DRAWING IS UNPUBLISHED.

RELEASED FOR PUBLICATION

© COPYRIGHT 19

BY TYCO ELECTRONICS CORPORATION. ALL INTERNATIONAL RIGHTS RESERVED.

LOC
CE 00

REVISIONS

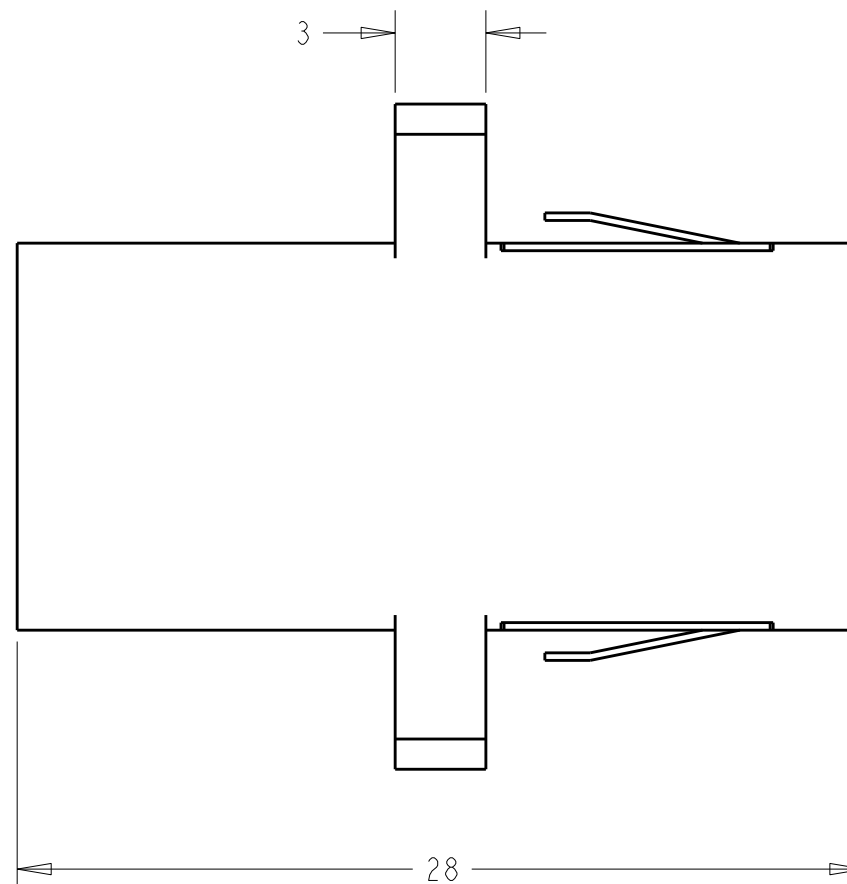
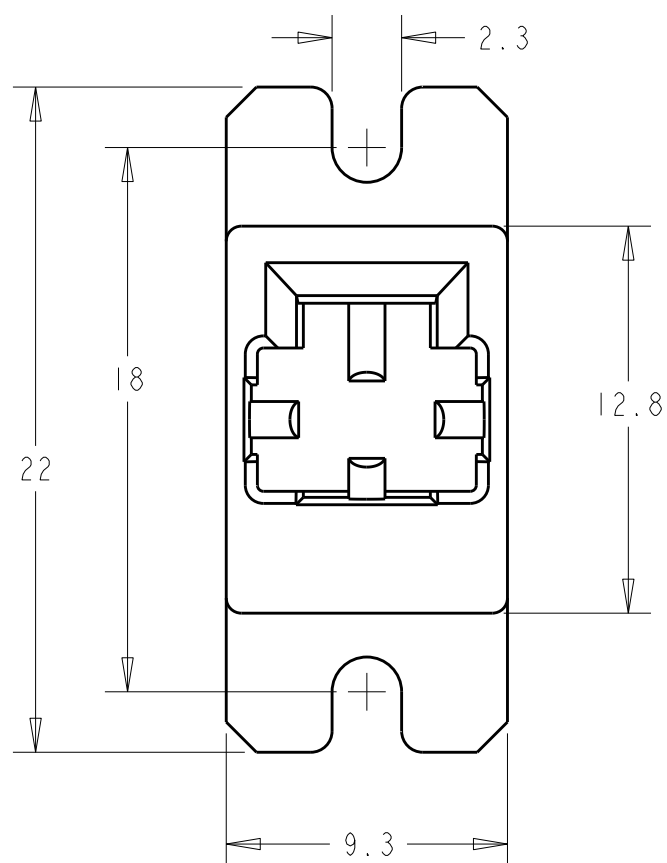
P	LTR	DESCRIPTION	DATE	DWN	APVD
	D	REVISE PER ECR-06-027304	07DEC2006	BB	DK
	E	REV ECO-11-003970	04MAR2011	LH	DK

⚠ BODY: THERMOPLASTIC MOLDING COMPOUND, COLOR: LIGHT ALMOND.

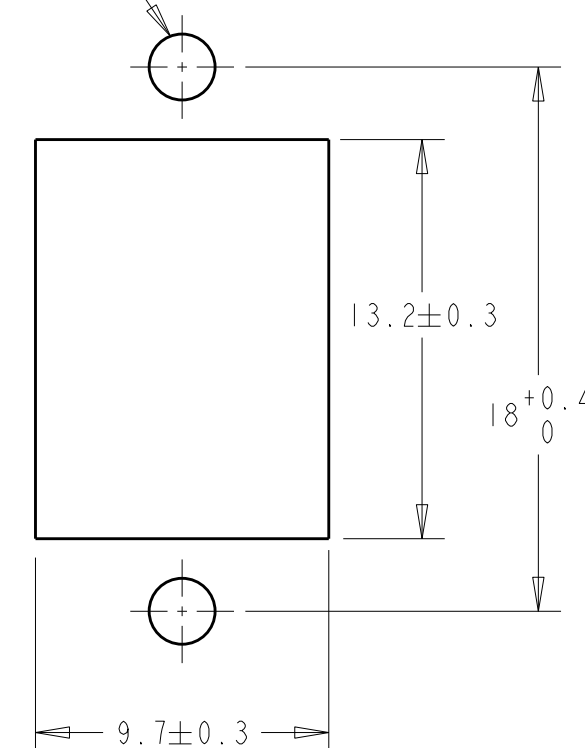
CLIP: SST

COVER: THERMOPLASTIC ELASTOMER, COLOR: BLACK.

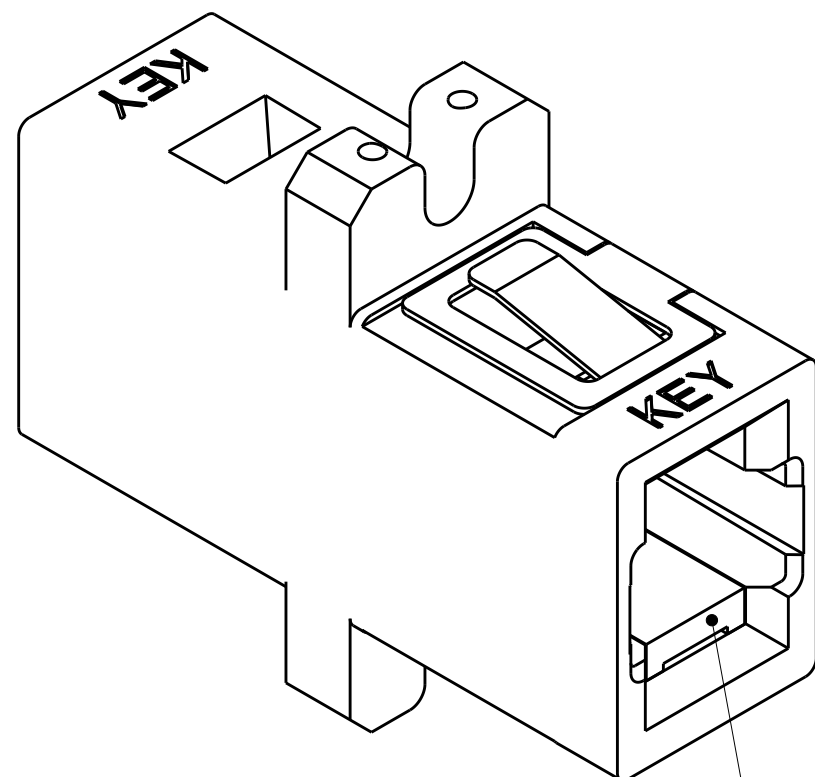
2. TWO PROTECTIVE COVERS INCLUDED, NOT SHOWN.



2-56UNC-2B OR
M2, 2 PLC



RECOMMENDED PANEL CUTOUT
MAX PANEL THK. 1.7



POLARIZATION KEY

1278017-1
PART NO

THIS DRAWING IS A CONTROLLED DOCUMENT FOR TYCO ELECTRONICS CORPORATION
IT IS SUBJECT TO CHANGE AND THE CONTROLLING ENGINEERING ORGANIZATION
SHOULD BE CONTACTED FOR THE LATEST REVISION.

DWN 3-11-98
C JEFFERSON
CHK 3-11-98
B EDWARDS
APVD 3-11-98
J KEVERN



AMP Incorporated
Harrisburg, PA 17105-3608

DIMENSIONS:	TOLERANCES UNLESS OTHERWISE SPECIFIED:
mm	
	0 PLC ±0.1
	1 PLC ±0.1
	2 PLC ±0.05
	3 PLC ±
	4 PLC ±
	ANGLES ±

MATERIAL - FINISH -

PRODUCT SPEC -
APPLICATION SPEC -
WEIGHT -

NAME		RESTRICTED TO	
ADAPTER, MT-RJ			
SIZE	CAGE CODE	DRAWING NO	
A3	00779	C-1278017	

CUSTOMER DRAWING SCALE 4:1 SHEET 1 OF 1 REV E

X-ON Electronics

Largest Supplier of Electrical and Electronic Components

Click to view similar products for [Fibre Optic Connectors](#) category:

Click to view products by [TE Connectivity](#) manufacturer:

Other Similar products are found below :

[0004700001](#) [6100-R](#) [6313](#) [F709034706](#) [F709722200](#) [F709730000](#) [F718183204](#) [F727403500](#) [F727752800](#) [8119](#) [9440F20-27S-190](#) [944-120-6001](#) [9441F10SL-3S](#) [9444W28-21S](#) [9444W36-10S](#) [9446F10SL-4S](#) [9446W20-16S](#) [953-101-5310-P](#) [954-101-57202B](#) [A0270169](#) [12-9122](#) [12-5702](#) [AX101713](#) [AX102420](#) [AX103923](#) [AX104024](#) [AX104193](#) [AX104230](#) [AX104562](#) [AX105203-B25](#) [AX105205-S1](#) [EHSC2M](#) [181-011-126](#) [181-011-S](#) [181-057-126](#) [HRFC-R2\(40\)](#) [NKSOPBUY](#) [20500002116](#) [2064996-1](#) [20800001065](#) [2170](#) [9132](#) [2612](#) [2620](#) [9291](#) [9440F16-10S](#) [9440F20-18S](#) [9442W14S-10P](#) [9446F16-10S-190](#) [953-106-50231](#)