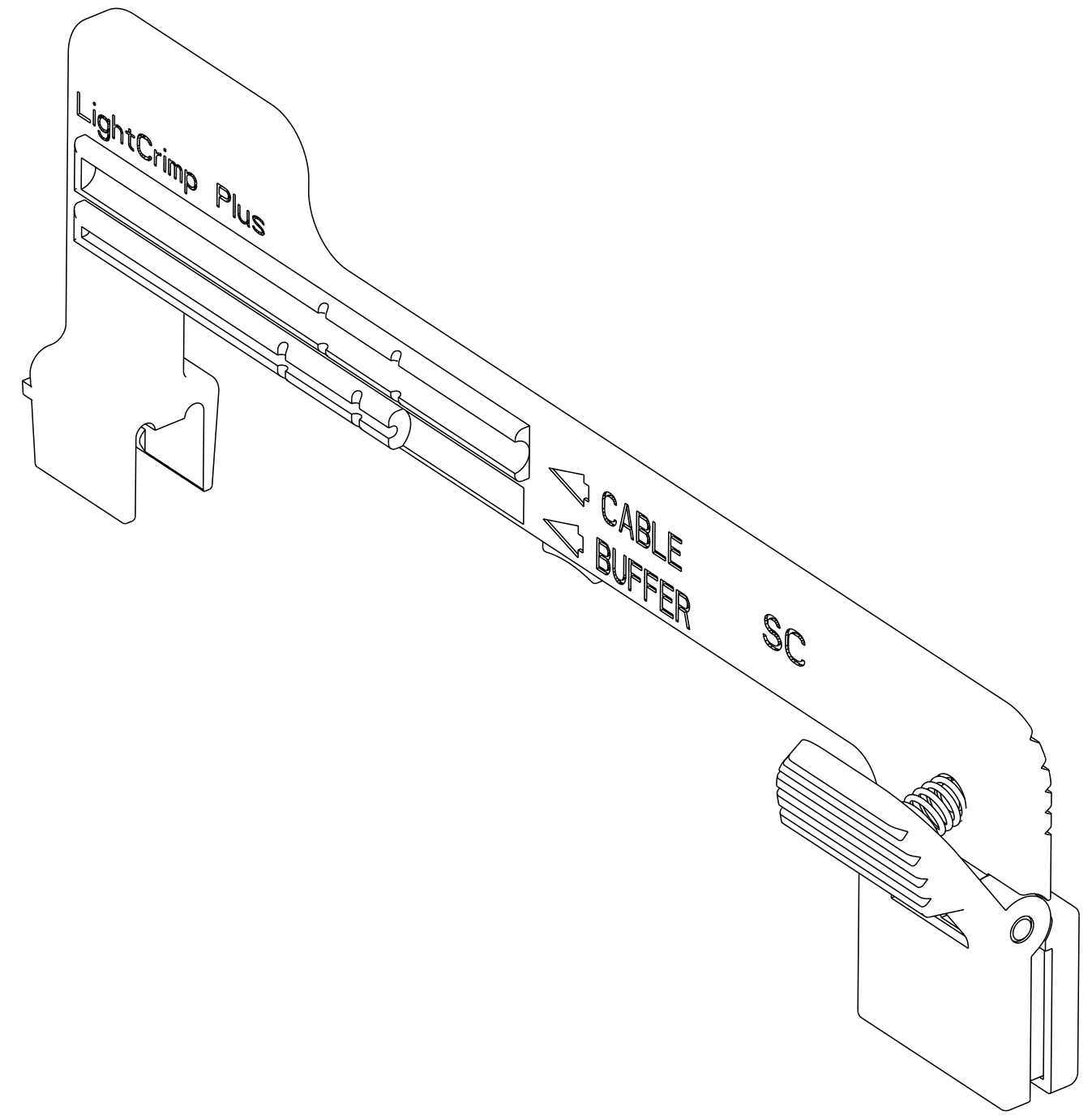
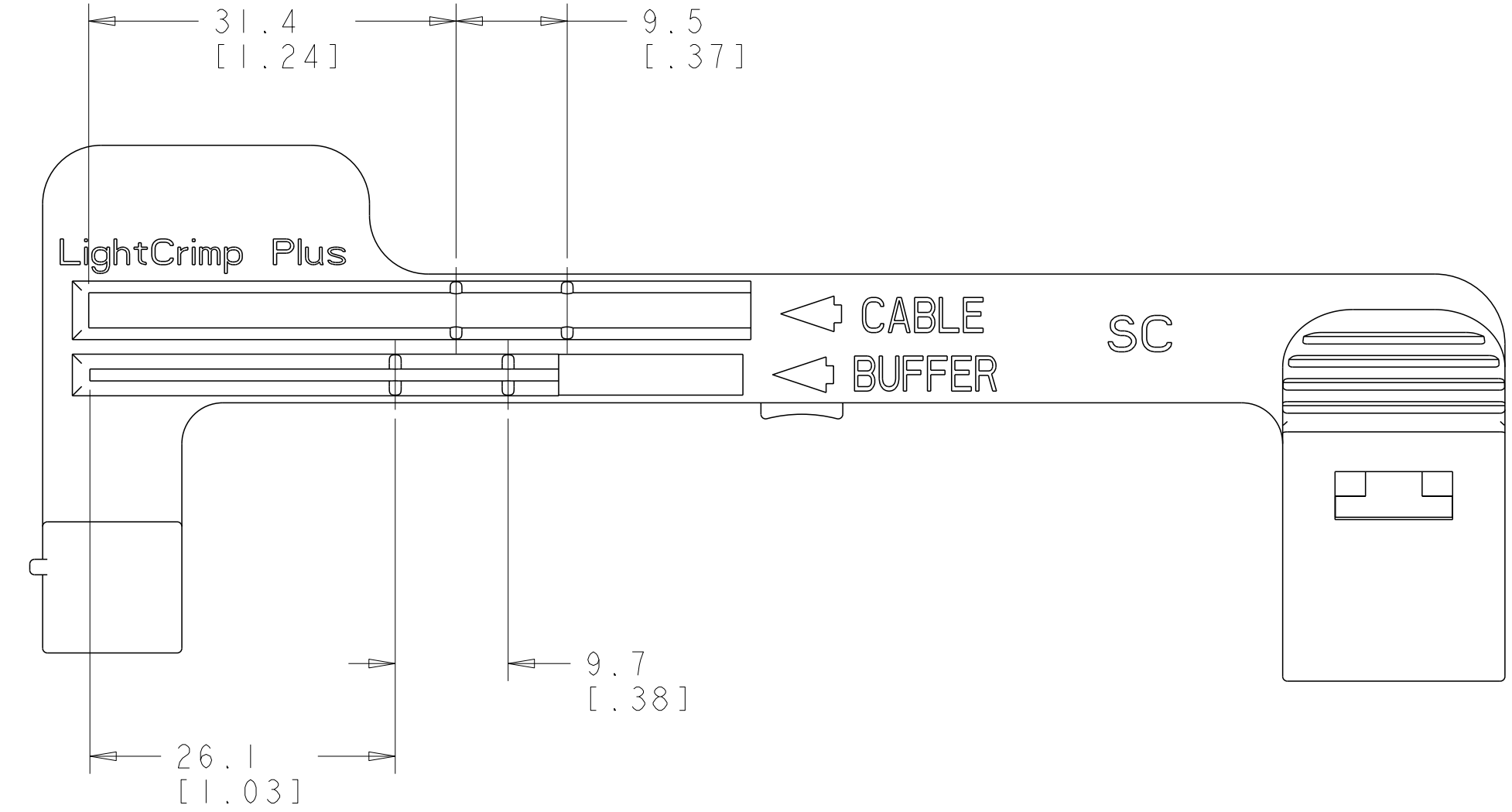
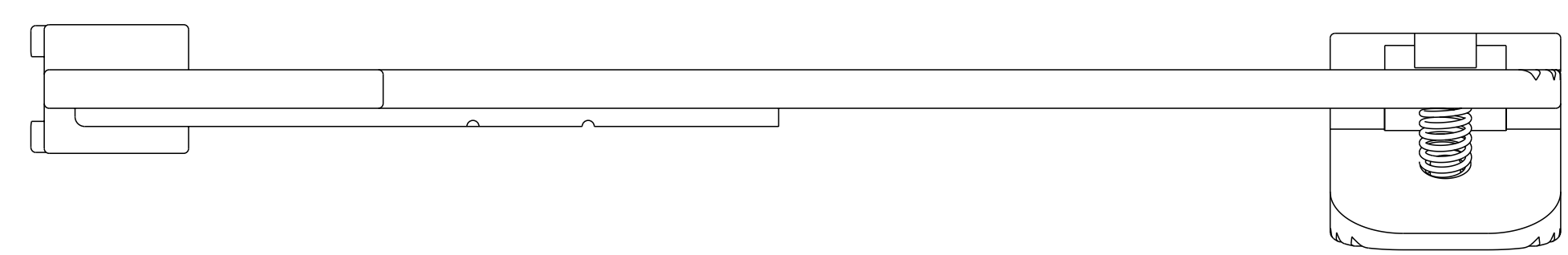
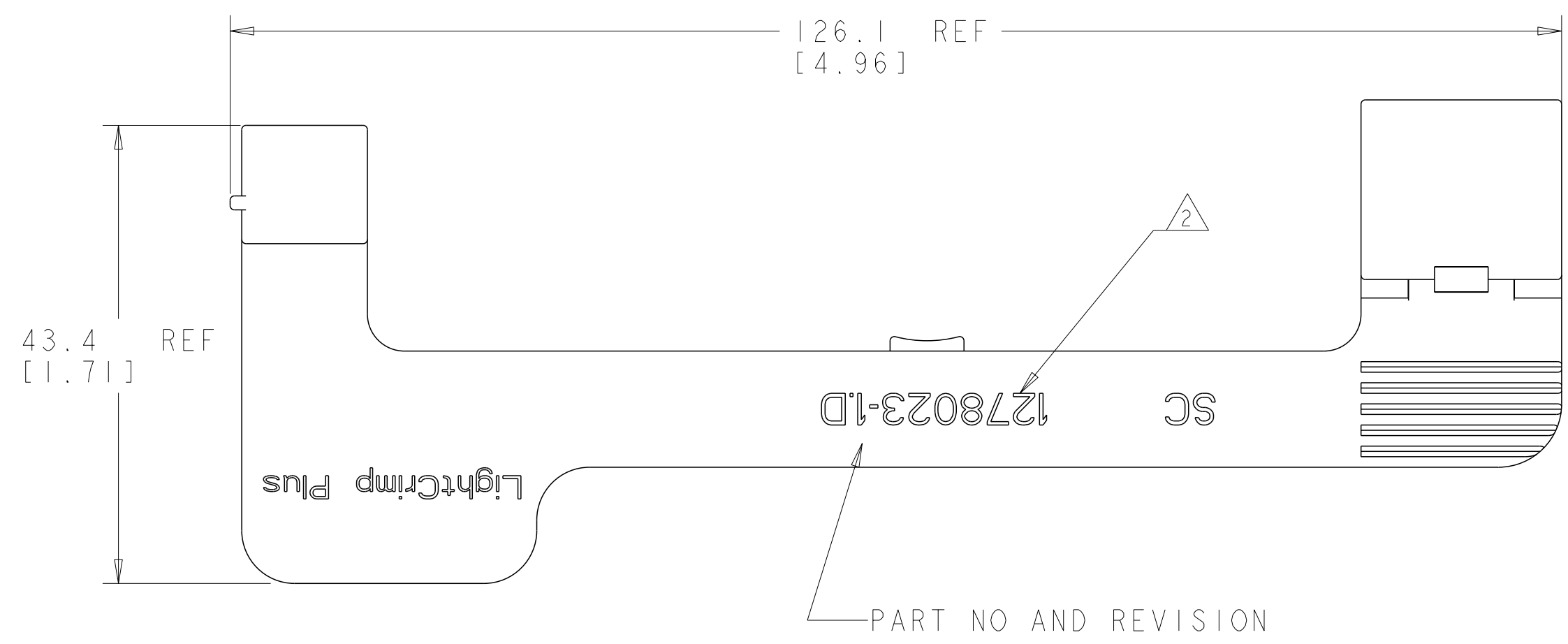


THIS DRAWING IS UNPUBLISHED. RELEASED FOR PUBLICATION
 © 2016 COMMSCOPE P/N: 1278023-1 CONFIDENTIAL NOTICE: THESE DRAWINGS AND SPECIFICATIONS ARE THE PROPRIETARY PROPERTY OF COMMSCOPE, INC. AND MAY BE USED ONLY FOR THE SPECIFIC PURPOSE AUTHORIZED IN WRITING BY COMMSCOPE, INC.

REVISIONS				
P	LTR	DESCRIPTION	DATE	APVD
E		REV; 40033802MCO	10OCT2016	GG TE



① HANDLE AND ARM: POLYCARBONATE, COLOR: BLACK
 PADS: URETHANE
 SPRING AND PIN: SST

② P/N SHOWN FOR ILLUSTRATION ONLY.
 ACTUAL P/N TO BE STAMPED ON PART.

GREEN	1278023-2
YELLOW	1278023-1
INK COLOR	PART NO

THIS DRAWING IS A CONTROLLED DOCUMENT.		DWN	D ERDMAN	3-3-99	COMMSCOPE, INC.		
DIMENSIONS: mm [INCHES]		CHK	L SAUERWEIN	3-3-99			
TOLERANCES UNLESS OTHERWISE SPECIFIED:		APVD	S BUCHTER	3-3-99			
0 PLC ±		PRODUCT SPEC	-	-			
1 PLC ±0.5		APPLICATION SPEC	-	-	NAME	ASSEMBLY, CABLE/BUFFER HOLDER, LightCrimp Plus AMP SC	
2 PLC ±		WEIGHT	-	-	SIZE	A200779	
3 PLC ±		CUSTOMER DRAWING	-	-	CAGE CODE	C-1278023	
4 PLC ±		SCALE	2:1	SHEET	1	OF	1
ANGLES ±		RESTRICTED TO	-	REV	E		
FINISH -							

X-ON Electronics

Largest Supplier of Electrical and Electronic Components

Click to view similar products for [Fibre Optic Connectors](#) category:

Click to view products by [TE Connectivity](#) manufacturer:

Other Similar products are found below :

[0004700001](#) [6100-R](#) [6313](#) [F709034706](#) [F709722200](#) [F709730000](#) [F718183204](#) [F727403500](#) [F727752800](#) [8119](#) [9440F20-27S-190](#) [944-120-6001](#) [9441F10SL-3S](#) [9444W28-21S](#) [9444W36-10S](#) [9446F10SL-4S](#) [9446W20-16S](#) [953-101-5310-P](#) [954-101-57202B](#) [A0270169](#) [12-9122](#) [12-5702](#) [AX101713](#) [AX102420](#) [AX103923](#) [AX104024](#) [AX104193](#) [AX104230](#) [AX104498](#) [AX104562](#) [AX105203-B25](#) [AX105205-S1](#) [EHSC2M](#) [181-011-126](#) [181-011-S](#) [181-057-126](#) [HRFC-R2\(40\)](#) [NKSOPBUY](#) [20500002116](#) [2064996-1](#) [20800001065](#) [2170](#) [9132](#) [2612](#) [2620](#) [9291](#) [9440F16-10S](#) [9440F20-18S](#) [9442W14S-10P](#) [9446F16-10S-190](#)