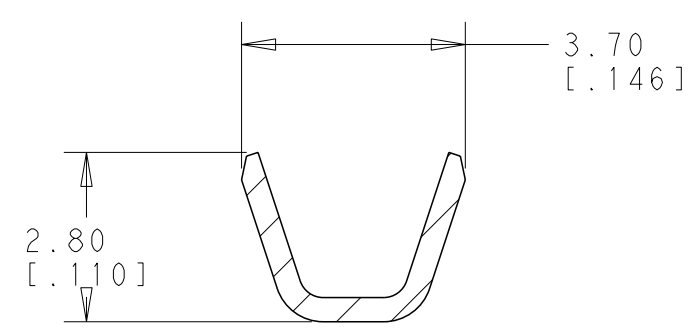
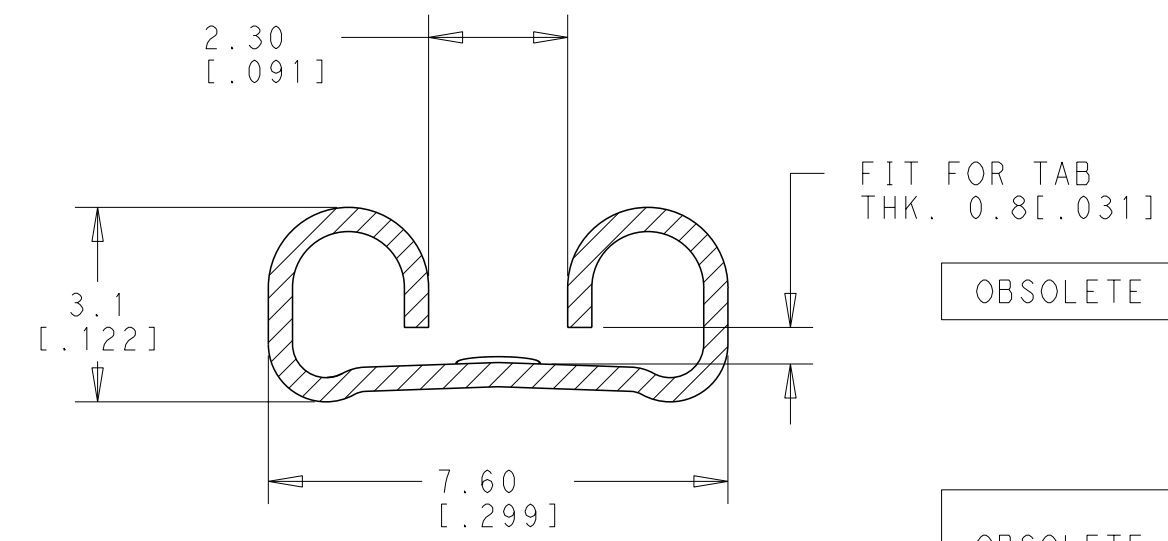
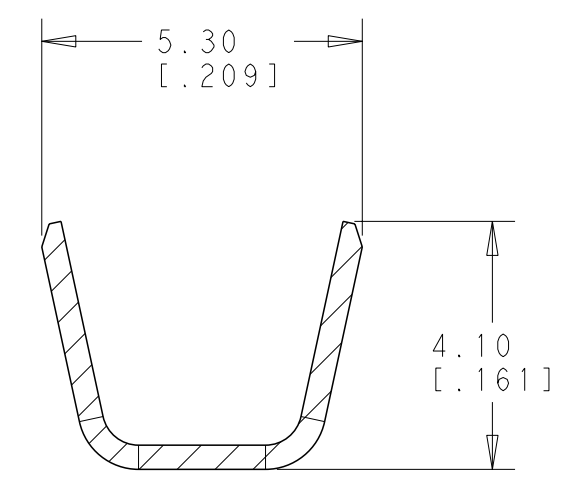


THIS DRAWING IS UNPUBLISHED. RELEASED FOR PUBLICATION 20
 © COPYRIGHT 20 BY - ALL RIGHTS RESERVED.

REVISIONS				
P	LTR	DESCRIPTION	DATE	APVD
	BE	REVISED PER ECR-15-005258	02APR2015	NK DC
	BE1	REVISED PER ECR-17-007358	26MAY2017	RS FV



SECTION A-A
SCALE 8:1



SECTION B-B
SCALE 8:1

- 1 NON DISPONIBILE DALL' AMP ITALIA (NOT AVAILABLE FROM AMP ITALY)
- 2 ADATTO PER AMP-O-MATOR (REVERSE REELED FOR MINI APPLICATOR)
- 3 BOBINA IN CARTONE CON CARTA INTERPOSTA QUANTITA' PER BOBINA: 3000 (CARTON REEL WITH INTERPOSED PAPER STRIP Q.TY PER REEL: 3000)
- 4 CON SPECIALE RIVESTIMENTO IN CARTA (WITH SPECIAL PAPER COVER)
- 5 BOBINA IN CARTONE CON CARTA INTERPOSTA QUANTITA' PER BOBINA: 2500 (CARTON REEL WITH INTERPOSED PAPER STRIP Q.TY PER REEL: 2500)
- 6 OBSOLETE
- 7 BOBINA IN CARTONE QUANTITA' PER BOBINA: 7000 (CARTON REEL Q.TY PER REEL: 7000)
- 8 OBSOLETE PARTS: OBSOLETE CIS STREAMLINING PER D.RENAUD/D.SINISI

OBSOLETE	2 1 7 6	ST. (TIN PLTD)	BR. F. (PH. BR.)	4-280050-7
	2 1 7	- (UNPLTD)	BR. F. (PH. BR.)	4-280050-4
	2 1 7	ST. (TIN PLTD)	OTTONE (BRASS)	4-280050-2
	2 1 7	- (UNPLTD)	OTTONE (BRASS)	4-280050-1
	2 4	- (UNPLTD)	BR. F. (PH. BR.)	2-280050-4
OBSOLETE	2 1 3	NICKELATO (NICKEL PLTD)	ACCIAIO (STEEL)	2-280050-3
SUPERCEDED BY 1-280050-2	2 1 4 6	ST. (TIN PLTD)	OTTONE (BRASS)	2-280050-2
	2 1 4 3	- (UNPLTD)	OTTONE (BRASS)	2-280050-1
	2 1	NICKELATO (NICKEL PLTD)	ACCIAIO (STEEL)	1-280050-3
	2 5	ST. (TIN PLTD)	OTTONE (BRASS)	1-280050-2
	2 1	ST. (TIN PLTD)	BR. F. (PH. BR.)	280050-7
	2 1	- (UNPLTD)	BR. F. (PH. BR.)	280050-4
	2 1	NICKELATO (NICKEL PLTD)	ACCIAIO (STEEL)	280050-3
	2	ST. (TIN PLTD)	OTTONE (BRASS)	280050-2
	2 1	- (UNPLTD)	OTTONE (BRASS)	280050-1
	-	ST. (TIN PLTD)	BR. F. (PH. BR.)	180388-5
	-	ST. (TIN PLTD)	OTTONE (BRASS)	180388-2
	-	- (UNPLTD)	OTTONE (BRASS)	180388-1
NOTE		FINITURA (FINISH)	MATERIALE (MATERIAL)	(NUMERO) P/N

(INS. DIA. RANGE) 2.3-3.3	(WIRE RANGE) 0.5-1.5	THIS DRAWING IS A CONTROLLED DOCUMENT.	DWN RAVLS 26MAY2017														
DIMENSIONS: mm		TOLERANCES UNLESS OTHERWISE SPECIFIED:	CHK VIRDIA FEDERICO 26MAY2017														
<table border="1"> <tr><td>0 PLC</td><td>±</td></tr> <tr><td>1 PLC</td><td>±0.3</td></tr> <tr><td>2 PLC</td><td>±</td></tr> <tr><td>3 PLC</td><td>±</td></tr> <tr><td>4 PLC</td><td>±</td></tr> <tr><td>ANGLES</td><td>±2°</td></tr> <tr><td>FINISH</td><td></td></tr> </table>		0 PLC	±	1 PLC	±0.3	2 PLC	±	3 PLC	±	4 PLC	±	ANGLES	±2°	FINISH		APVD VIRDIA FEDERICO 26MAY2017	NAME VIRDIA FEDERICO
0 PLC	±																
1 PLC	±0.3																
2 PLC	±																
3 PLC	±																
4 PLC	±																
ANGLES	±2°																
FINISH																	
MATERIAL SEE TABLE	FINISH SEE TABLE	PRODUCT SPEC -	APPLICATION SPEC -														
CUSTOMER DRAWING		WEIGHT -	SIZE A2														

STE TE Connectivity

FASTON CONNECTOR
.250 sr. FLAG REC. CONTACT

SCALE 5:1 SHEET 1 OF 1 REV BE1

X-ON Electronics

Largest Supplier of Electrical and Electronic Components

Click to view similar products for [Terminals](#) category:

Click to view products by [TE Connectivity](#) manufacturer:

Other Similar products are found below :

[00-054007-01074-6](#) [00-054007-70206-1](#) [00-054007-70210-8](#) [00-054007-70217-7](#) [00-054007-70226-9](#) [00-054007-70228-3](#) [00-054007-70248-1](#) [00-054007-70256-6](#) [00-054007-70301-3](#) [00-054007-70316-7](#) [00-054007-49560-4](#) [00-054007-70209-2](#) [00-054007-70225-2](#) [00-054007-70227-6](#) [00-054007-70231-3](#) [00-054007-70241-2](#) [00-054007-70242-9](#) [00-054007-70244-3](#) [00-054007-70246-7](#) [00-054007-70263-4](#) [00-054007-70288-7](#) [00-054007-70290-0](#) [00-054007-70300-6](#) [00-054007-70304-4](#) [01-2065-1-0216](#) [01-2900-1-04412](#) [00581P0075](#) [600TS-10](#) [60205-1](#) [604200-1](#) [605601-1](#) [60598-1-CUT-TAPE](#) [61314-6-C](#) [61810-3](#) [61-S](#) [61-SN](#) [626-0194](#) [62-NBM-A](#) [62-SN](#) [62-SP](#) [63-S](#) [640179-1](#) [M55155/059I03](#) [M55155/079C01](#) [M55155/099H02](#) [M55155/109H01](#) [M55155/109H02](#) [M55155/12XH05](#) [M55155/16XH02](#) [M55155/29-5S](#)