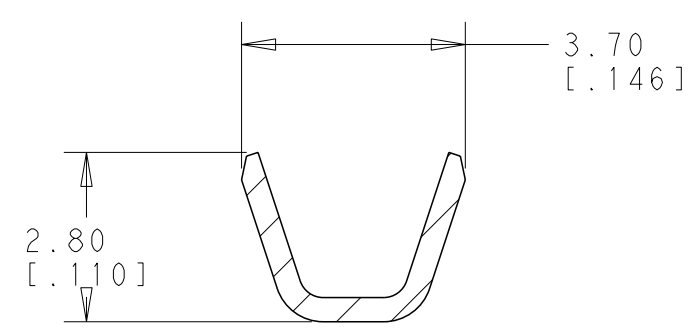
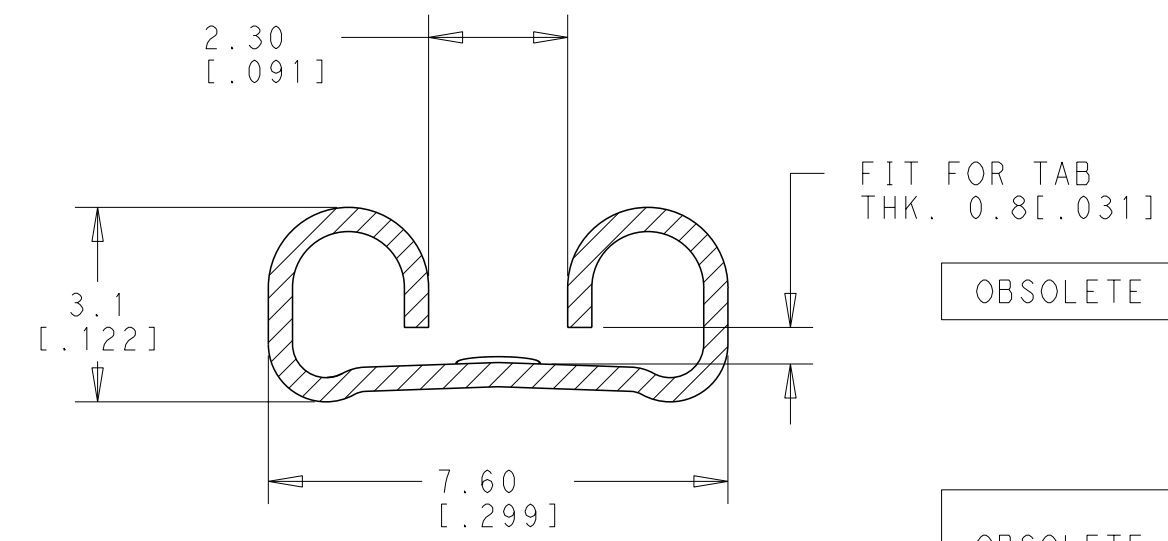
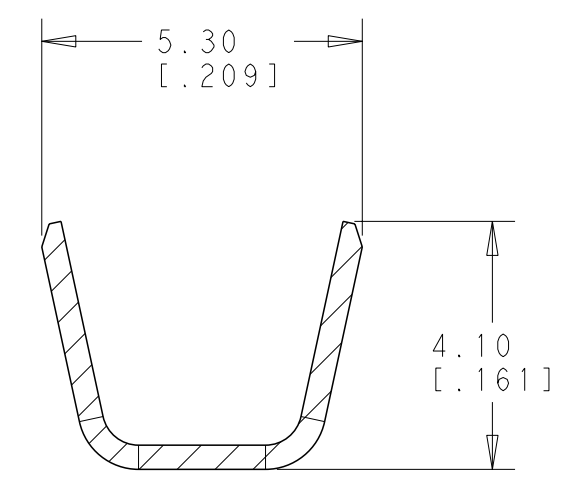


THIS DRAWING IS UNPUBLISHED. RELEASED FOR PUBLICATION 20
 © COPYRIGHT 20 BY - ALL RIGHTS RESERVED.

REVISIONS				
P	LTR	DESCRIPTION	DATE	DWN APVD
	BE	REVISED PER ECR-15-005258	02APR2015	NK DC
	BE1	REVISED PER ECR-17-007358	26MAY2017	RS FV



SECTION A-A
SCALE 8:1



SECTION B-B
SCALE 8:1

- 1 NON DISPONIBILE DALL' AMP ITALIA (NOT AVAILABLE FROM AMP ITALY)
- 2 ADATTO PER AMP-O-MATOR (REVERSE REELED FOR MINI APPLICATOR)
- 3 BOBINA IN CARTONE CON CARTA INTERPOSTA QUANTITA' PER BOBINA: 3000 (CARTON REEL WITH INTERPOSED PAPER STRIP Q.TY PER REEL: 3000)
- 4 CON SPECIALE RIVESTIMENTO IN CARTA (WITH SPECIAL PAPER COVER)
- 5 BOBINA IN CARTONE CON CARTA INTERPOSTA QUANTITA' PER BOBINA: 2500 (CARTON REEL WITH INTERPOSED PAPER STRIP Q.TY PER REEL: 2500)
- 6 OBSOLETE
- 7 BOBINA IN CARTONE QUANTITA' PER BOBINA: 7000 (CARTON REEL Q.TY PER REEL: 7000)
- 8 OBSOLETE PARTS: OBSOLETE CIS STREAMLINING PER D.RENAUD/D.SINISI

OBSOLETE	2 1 7 6	ST. (TIN PLTD)	BR. F. (PH. BR.)	4-280050-7
	2 1 7	- (UNPLTD)	BR. F. (PH. BR.)	4-280050-4
	2 1 7	ST. (TIN PLTD)	OTTONE (BRASS)	4-280050-2
	2 1 7	- (UNPLTD)	OTTONE (BRASS)	4-280050-1
	2 4	- (UNPLTD)	BR. F. (PH. BR.)	2-280050-4
OBSOLETE	2 1 3	NICKELATO (NICKEL PLTD)	ACCIAIO (STEEL)	2-280050-3
SUPERCEDED BY 1-280050-2	2 1 4 6	ST. (TIN PLTD)	OTTONE (BRASS)	2-280050-2
	2 1 4 3	- (UNPLTD)	OTTONE (BRASS)	2-280050-1
	2 1	NICKELATO (NICKEL PLTD)	ACCIAIO (STEEL)	1-280050-3
	2 5	ST. (TIN PLTD)	OTTONE (BRASS)	1-280050-2
	2 1	ST. (TIN PLTD)	BR. F. (PH. BR.)	280050-7
	2 1	- (UNPLTD)	BR. F. (PH. BR.)	280050-4
	2 1	NICKELATO (NICKEL PLTD)	ACCIAIO (STEEL)	280050-3
	2	ST. (TIN PLTD)	OTTONE (BRASS)	280050-2
	2 1	- (UNPLTD)	OTTONE (BRASS)	280050-1
	-	ST. (TIN PLTD)	BR. F. (PH. BR.)	180388-5
	-	ST. (TIN PLTD)	OTTONE (BRASS)	180388-2
	-	- (UNPLTD)	OTTONE (BRASS)	180388-1
NOTE		FINITURA (FINISH)	MATERIALE (MATERIAL)	(NUMERO) P/N

THIS DRAWING IS A CONTROLLED DOCUMENT. DWN RAVLS 26MAY2017
 CHK VIRDJIA FEDERICO 26MAY2017
 APVD VIRDJIA FEDERICO 26MAY2017

DIMENSIONS: mm TOLERANCES UNLESS OTHERWISE SPECIFIED:
 0 PLC ±
 1 PLC ±0.3
 2 PLC ±
 3 PLC ±
 4 PLC ±
 ANGLES ±2°
 FINISH SEE TABLE

MATERIAL SEE TABLE

NAME FASTON CONNECTOR .250 sr. FLAG REC. CONTACT

SIZE A2 CAGE CODE 00779 DRAWING NO C-180388 RESTRICTED TO -

SCALE 5:1 SHEET 1 OF 1 REV BE1

STC TE Connectivity

X-ON Electronics

Largest Supplier of Electrical and Electronic Components

Click to view similar products for [Terminals](#) category:

Click to view products by [TE Connectivity](#) manufacturer:

Other Similar products are found below :

[HT-13-10](#) [71M-250-32-NB](#) [01-2065-1-0216](#) [00581P0075](#) [M10-10RX](#) [M10BCK](#) [60205-1](#) [604200-1](#) [60598-1-CUT-TAPE](#) [60617-1-C](#) [60873-1](#) [M14-516R/SK](#) [M14-6RSX](#) [M18-8FBX](#) [M18-8R/LX](#) [M18BCK](#) [61314-6-C](#) [61-S](#) [61-SN-A](#) [62-NBM-A](#) [63-S](#) [640179-1](#) [640917-2-CUT-TAPE](#) [6501550002](#) [66107-2-C](#) [696683-1](#) [696834-1](#) [696861-1](#) [696931-1](#) [696999-1](#) [M8-516RK](#) [M86700006](#) [MA250DMFMX-A](#) [701-2007](#) [701-2307](#) [701-7761-03](#) [70F-110-32-PB](#) [718-N-A](#) [71M-187-20-NBL](#) [71M-250-32-NBL](#) [72F-187-20-NBL](#) [72M-250-32-NBL](#) [7310](#) [73F-250-32](#) [73F-250-32-NL](#) [F14-10C](#) [F-1M](#) [751-250](#) [76650-5002](#) [76828-149](#)