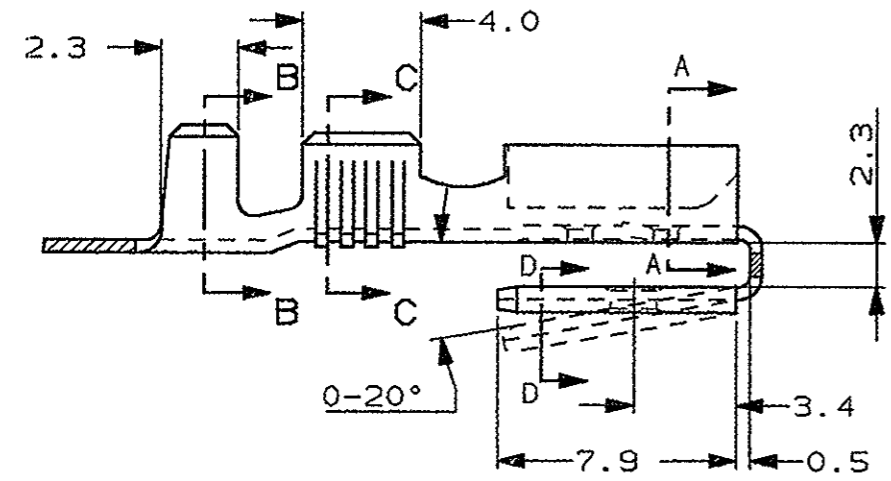


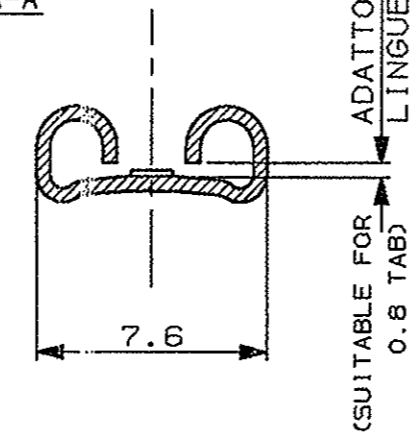
SCALA NON IMPEGNATIVA
(DO NOT SCALE)
DIMENSIONI IN mm
(DIMENSIONS IN mm)

METRIC

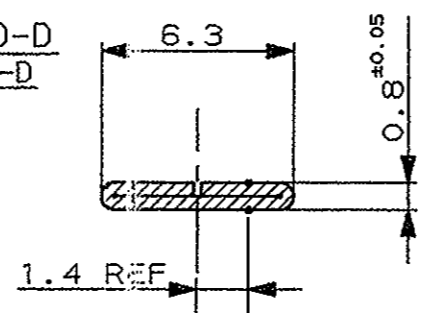
PROIEZIONE EUROPEA
(EUROPEAN PROJECTION)



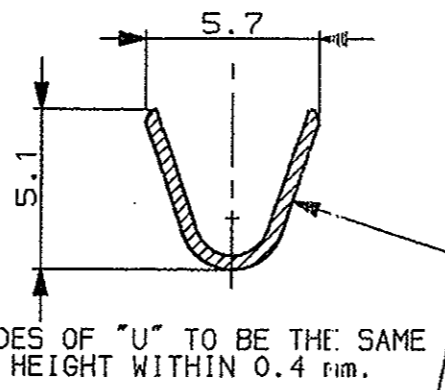
SEZIONE A-A
SECTION A-A



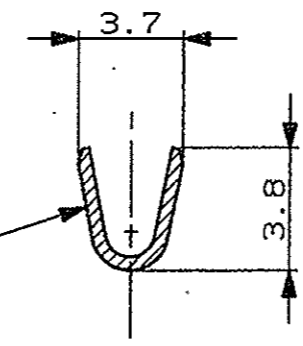
SEZIONE D-D
SECTION D-D



SEZIONE C-C
SECTION C-C

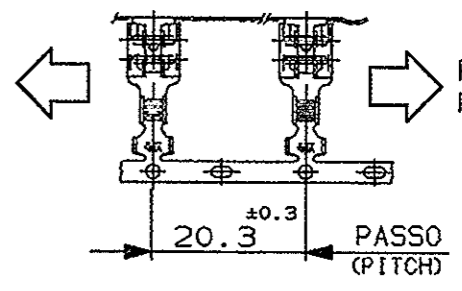


SEZIONE B-B
SECTION B-B



1) STATO DI FORNITURA
(SUPPLY CONDITION)

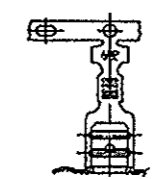
P/N 280079-1
P/N 280079-2
P/N 280079-3



P/N 1-280079-1
P/N 1-280079-2

2) NON DISPONIBILE DA AMP ITALIA
PRODUZIONE AMP SPAGNA
(NOT AVAILABLE FROM AMP ITALY
AMP SPAIN PRODUCTION)

3) STATO DI FORNITURA
(SUPPLY CONDITION)



SENSO DI USCITA DEL TERMINALE
DALLA BOBINA
(DIRECTION OFF TOP OF REEL)

4) P/N CON ELEVATA FORZA DI ESTRAZIONE
(P/N SUITABLE FOR HIGH EXTRACTION FORCE APPLICATION)

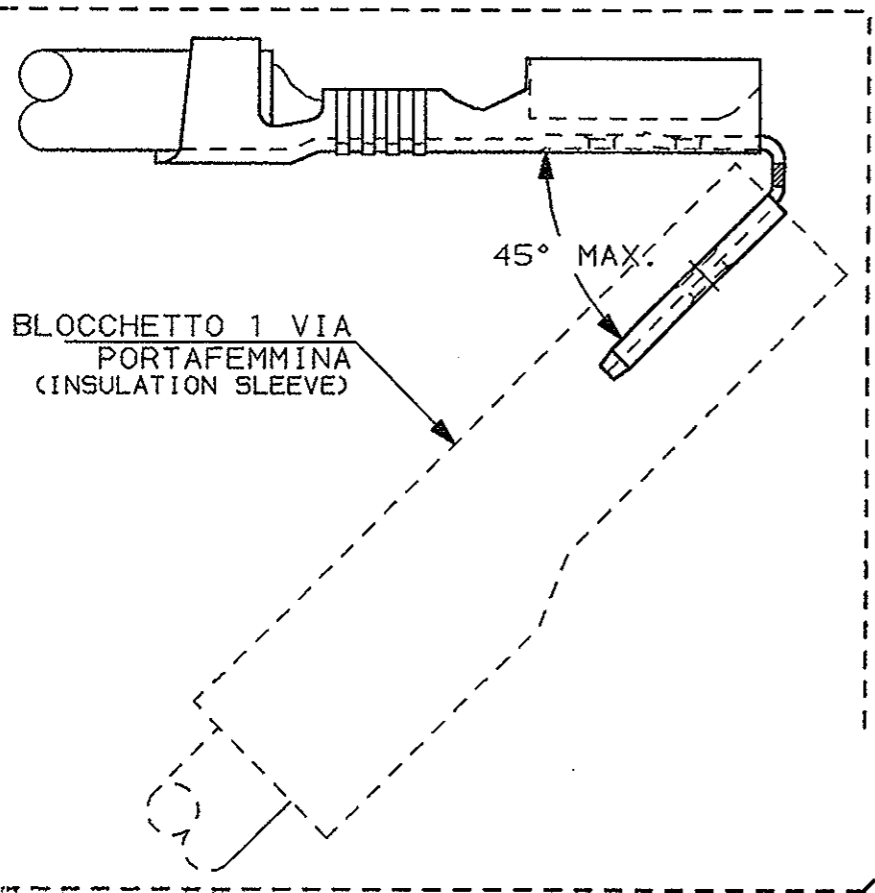
5) SPECIFICA DI PRODOTTO 108-20019
(PRODUCT SPEC. 108-20019)

6) INCLINAZIONE 45° MAX. BENT PERMESSA
PER LA PRIMA MANOVRA DI ACCOPPIAMENTO
CON BLOCCHETTO PORTA FEMMINA.
(45° MAX. PERMISSIBLE FOR THE FIRST MATING
WITH THE INSULATION SLEEVE).

7) SUPERSEDED BY P/N 160739-6

8) OBSOLETE PARTS: OBSOLETE CIS STREAMLINING
PER D.RENAUD/D.SINISI

BRASS TIN PLATED	1-280079-5	3	-
STEEL NICKEL PLATED	280079-3	7	-
BRASS TIN PLATED	280079-2		1-280079-2
BRASS (UNPLATED)	280079-1	8	1-280079-1
MATERIAL/FINISH	FOR USE ON STD APPLICATOR (RIGHT TO LEFT FEED)		FOR USE ON MINI APPLICATOR (LEFT TO RIGHT FEED)



CUSTOMER DWG. FOR REFERENCE ONLY
DISEGNO PER CLIENTE SOLO PER RIFERIMENTO

THIS DRAWING IS UNPUBLISHED
© COPYRIGHT 19 BY AMP INCORPORATED, HARRISBURG, PA. ALL INTERNATIONAL RIGHT RESERVED. AMP PRODUCTS MAY BE COVERED BY U.S. AND FOREIGN PATENT AND/OR PATENT PENDING

TOLLERANZE: SE NON DIVERSAMENTE SPECIFICATO
(TOLERANCES, UNLESS OTHERWISE SPECIFIED)

Y1	ECO-09-026346	KK	AEG	± 0.3
Y	ECR-06-012970			± 2°
W1	ADDED VIEW AND NOTE 6 ET00-0062-01	H.Y.	20 FEB 2001	DIS. R. FABRIS (COR.) 23 FEB 00
W	OBSOLETE PARTS, ET00-0303-99	H.Y.	13 APR 2000	CONT. C. TARTARI (CHRO)
U1	REVISED & REDRAWN, ET00-0058-00	R.F.	08 MAR 2000	APP. (CAPP.)
REV.	REVISIONI (REVISION RECORD)	DIS. (COR.)	DATA (DATE)	

AMP AMP ITALIA S.p.A.
Corso F.lli Cervi, 15
COLLEGNO (TORINO)

DESCRIZIONE (DESCRIPTION)
FASTON® Connector,
.250" sr. PIGGY-BACK REC. CTC.
(STRIP FORM)

LOC. SIZE NUMERO (CHG NO)
I A3 C-280079
REV. FOGLIO (SHEET)
Y1 1 DI (OF) 1

DISTRIBUZIONE (PRINT DIST.)

X-ON Electronics

Largest Supplier of Electrical and Electronic Components

Click to view similar products for [Terminals](#) category:

Click to view products by [TE Connectivity](#) manufacturer:

Other Similar products are found below :

[00-054007-01074-6](#) [00-054007-70206-1](#) [00-054007-70210-8](#) [00-054007-70217-7](#) [00-054007-70226-9](#) [00-054007-70228-3](#) [00-054007-70248-1](#) [00-054007-70256-6](#) [00-054007-70301-3](#) [00-054007-70316-7](#) [0-0320562-0](#) [00-054007-49560-4](#) [00-054007-70209-2](#) [00-054007-70225-2](#) [00-054007-70227-6](#) [00-054007-70231-3](#) [00-054007-70241-2](#) [00-054007-70242-9](#) [00-054007-70244-3](#) [00-054007-70246-7](#) [00-054007-70263-4](#) [00-054007-70288-7](#) [00-054007-70290-0](#) [00-054007-70300-6](#) [00-054007-70304-4](#) [01-2065-1-0216](#) [01-2900-1-04412](#) [00581P0075](#) [600TS-10](#) [60205-1](#) [604200-1](#) [605601-1](#) [60598-1-CUT-TAPE](#) [61314-6-C](#) [61810-3](#) [61-S](#) [61-SN](#) [626-0194](#) [62-NBM-A](#) [62-SN](#) [62-SP](#) [63-S](#) [640179-1](#) [M55155/059I03](#) [M55155/079C01](#) [M55155/099H02](#) [M55155/109H01](#) [M55155/109H02](#) [M55155/12XH05](#) [M55155/16XH02](#)