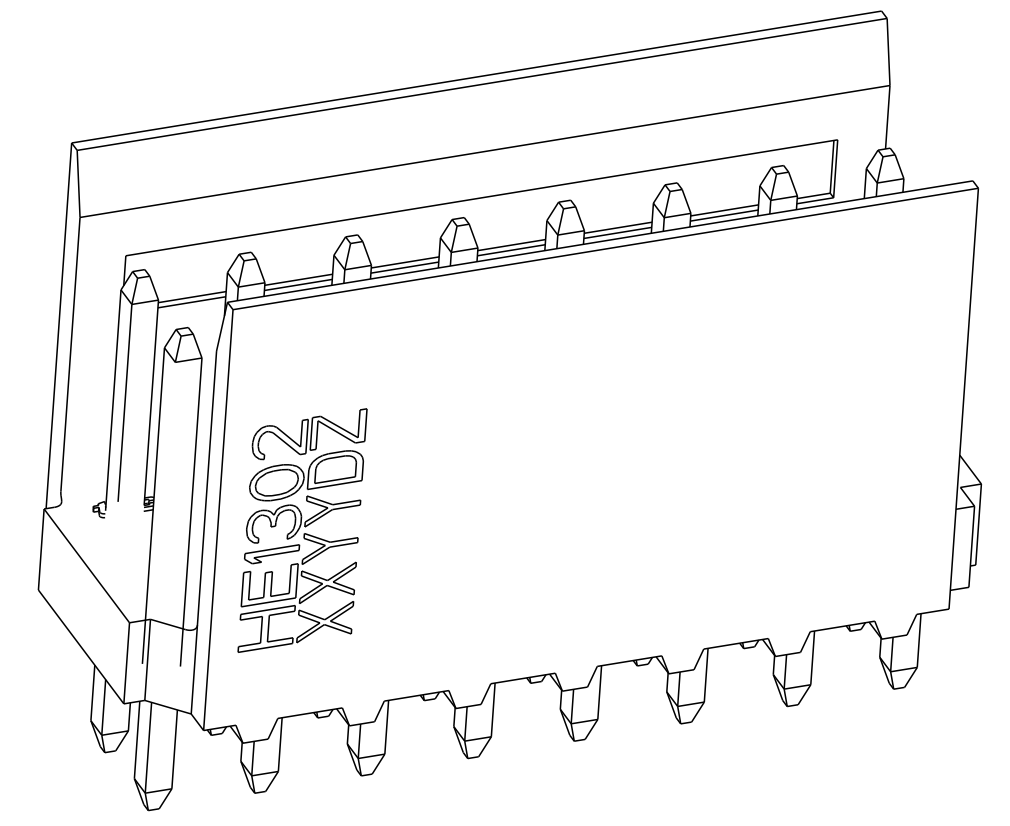
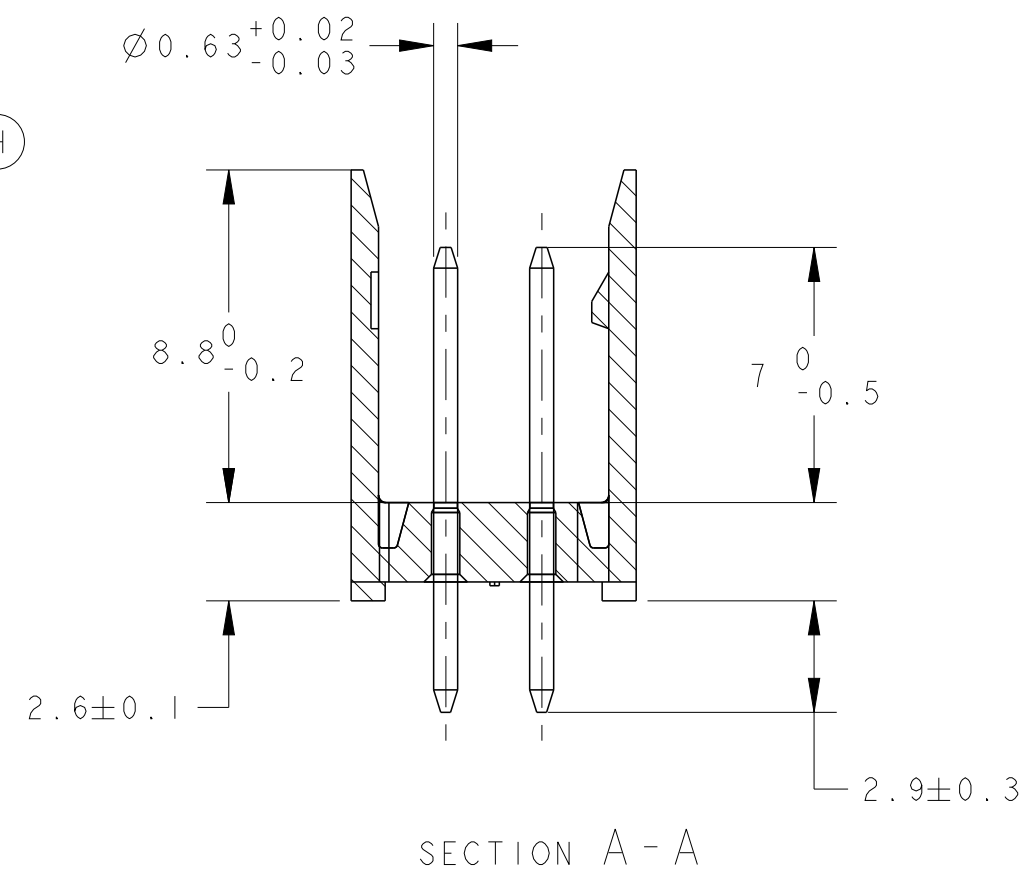
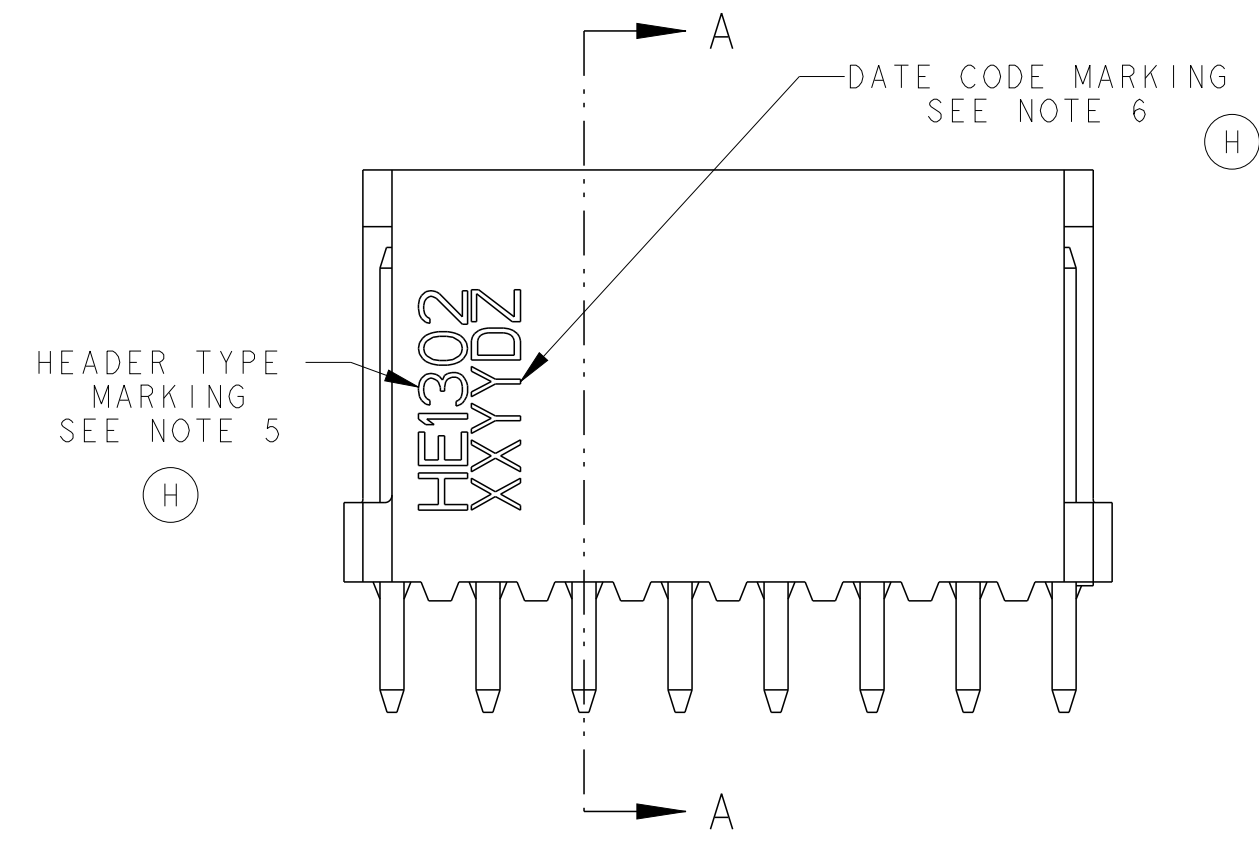
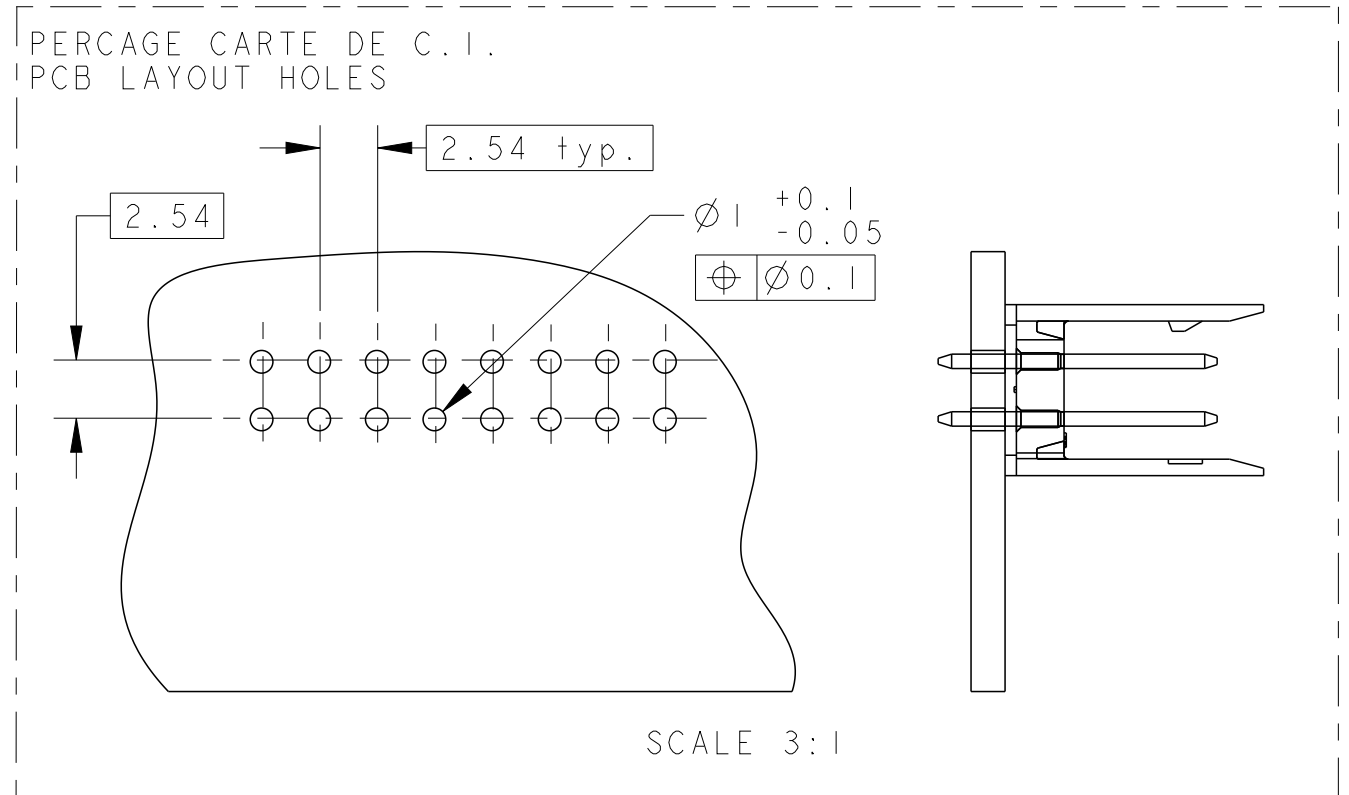
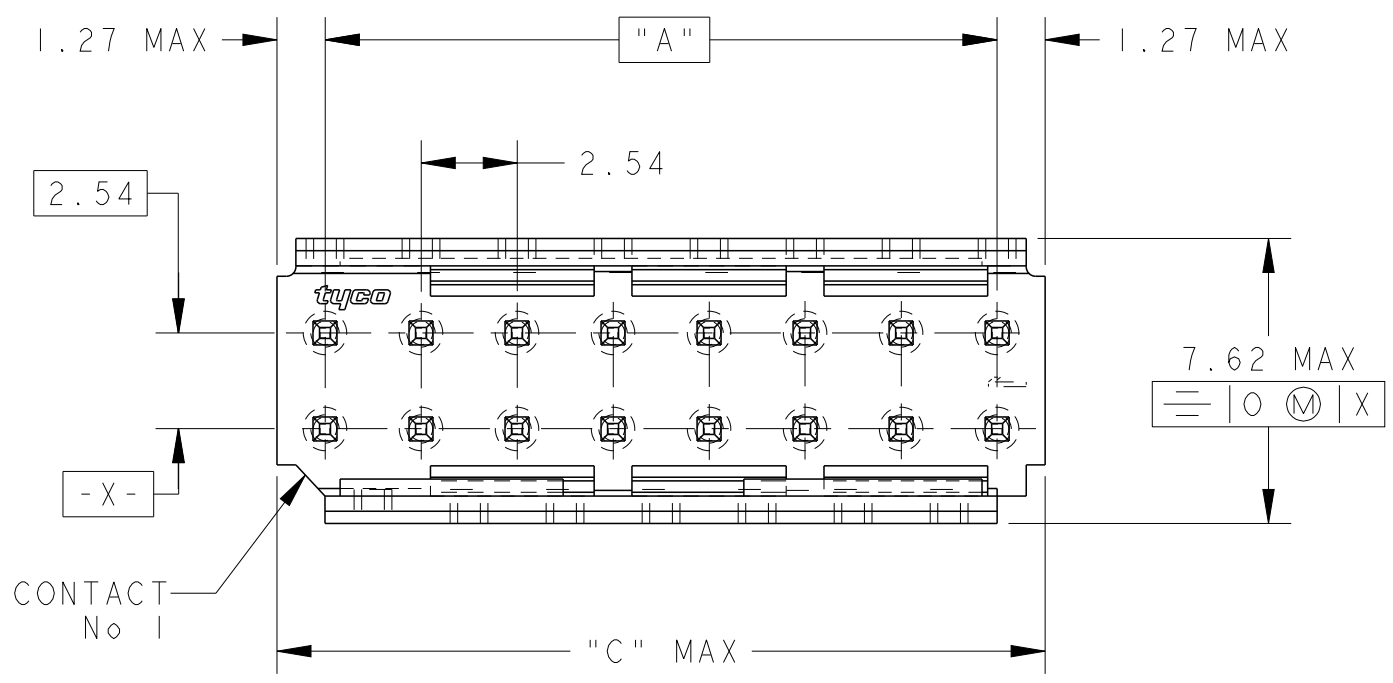


THIS DRAWING IS UNPUBLISHED.  
 DIFFUSION RESTREINTE  
 © COPYRIGHT 20 BY -  
 RELEASED FOR PUBLICATION  
 LIBRE A LA DIFFUSION  
 20  
 ALL RIGHTS RESERVED.  
 TOUS DROITS RESERVES

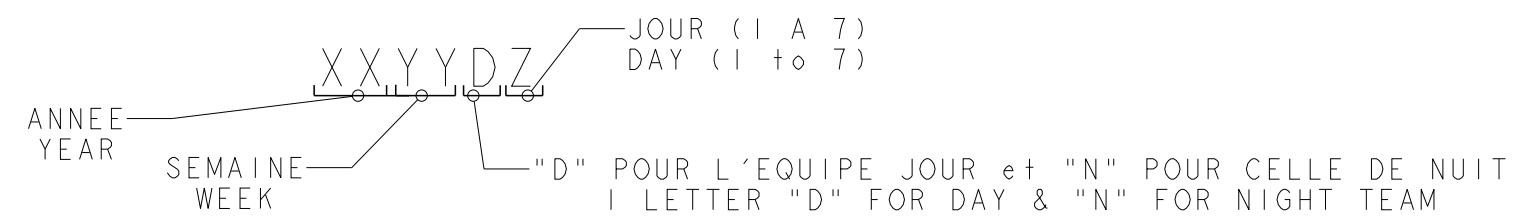
REVISIONS					
P	LTR	DESCRIPTION MODIFICATIONS	DATE	DWN DESS.	APVD APP.
	HI	PLATING NOTES CORRECTED	02AUG2016	KJK	PS



SCALE 6:1



- NOTES:
- THESE HEADERS ARE DESIGNED TO BE MATED WITH "HE1302" RECEPTACLES DOUBLE ROW
  - THE PART NUMBERS FOLLOWED BY \* ARE COVERED BY INTERNATIONAL STANDARD IEC 603-8
  - CONTACTS PLATING: MATING AREA, MIN 0.4µm SELECTIVE GOLD OVER MIN. 1.27µm NICKEL  
SOLDER AREA, MIN 2.5µm TIN OVER MIN. 1.27µm NICKEL
  - PLASTIC MATERIAL: HIGH TEMPERATURE THERMOPLASTIC, UL-94V-0, BLUE COLOR  
CONTACT MATERIAL: PHOSPHOR BRONZE
  - HEADER TYPE MARKING (HE1302) WITH BLACK INK
  - DATE CODE MARKING WITH BLACK INK:



	OBSOLETE	50.80	48.26	2x 20	2-281740-0
		45.72	43.18	2x 18	1-281740-8 *
	OBSOLETE	43.18	40.64	2x 17	1-281740-7
		38.10	35.56	2x 15	1-281740-5 *
	OBSOLETE	33.02	30.48	2x 13	1-281740-3
		30.48	27.94	2x 12	1-281740-2 *
		25.40	22.86	2x 10	1-281740-0 *
		20.32	17.78	2x 8	0-281740-8 *
		15.24	12.70	2x 6	0-281740-6 *
		12.70	10.16	2x 5	0-281740-5 *
		10.16	7.62	2x 4	0-281740-4 *
		7.62	5.08	2x 3	0-281740-3 *
		5.08	2.54	2x 2	0-281740-2
		C	A	Nb DE POS	PART NUMBER
		DIMENSIONS			

OBSOLETE PARTS: OBSOLETE CIS STREAMLINING PER D.RENAUD/D.SINISI

THIS DRAWING IS A CONTROLLED DOCUMENT.  
 CE PLAN EST UN DOCUMENT CONTROLE PAR AMP INCORPORATED.  
 IL EST SUSCEPTIBLE D'ETRE REVISE. CONTACTER LE SERVICE  
 TECHNIQUE D'AMP DE FRANCE POUR OBTENIR LA DERNIERE REVISION.

DIMENSIONS: mm

TOLERANCES UNLESS OTHERWISE SPECIFIED: (SUIV NB DE DECIMALES)  
 0 PLC/DEC: ±  
 1 PLC/DEC: ±0.3  
 2 PLC/DEC: ±  
 3 PLC/DEC: ±  
 4 PLC/DEC: ±  
 ANGLES ±5°

MATERIAL/MATIERE FINISH/FINITION

SEE NOTE 4 SEE NOTE 3

DWN/DESSINE 22NOV2000  
 C. COMBEDOUZON  
 CHK/VERIFIE 22NOV2000  
 T. CORRIOU  
 APVD/APPROUVE 22NOV2000  
 Y. PETRONIN

PRODUCT SPEC SPEC. PRODUIT 108-15053

APPLICATION SPEC SPEC. APPLICATION

WEIGHT MASSE APPROX. -

CUSTOMER DRAWING /PLAN CLIENT

UNIQUEMENT POUR REFERENCE

SCALE ECHELLE 5:1

SHEET FEUILLE OF DE 1

REV HI

STE TE Connectivity

NAME TITRE HEADERS HE13, DOUBLE ROW, STRAIGHT

SIZE FORMAT A2

CAGE CODE 0779

DRAWING NO No PLAN C-281740

RESTRICTED TO RESERVE A

## X-ON Electronics

Largest Supplier of Electrical and Electronic Components

*Click to view similar products for [Headers & Wire Housings](#) category:*

*Click to view products by [TE Connectivity](#) manufacturer:*

Other Similar products are found below :

[892-18-020-10-001101](#) [58102-G61-06LF](#) [582553-1](#) [0009485154](#) [009176003701906](#) [0050291907](#) [LY20-4P-DT1-P1E-BR](#) [02.125.8002.8](#)  
[609-3404](#) [61062-3](#) [61082-181009](#) [622-3653LF](#) [63453-116](#) [636-1030](#) [636-1427](#) [636-3427](#) [636-4007](#) [641938-9](#) [641991-4](#) [644827-2](#) [65817-010LF](#) [65817-015LF](#) [65863-015LF](#) [66207-023LF](#) [67095-007LF](#) [67601157](#) [68645-018](#) [68648-049](#) [70.362.1628.0](#) [70-4210](#) [70-4226B](#) [70-4853B](#) [707-5020](#) [707-5028](#) [71.350.2428.0](#) [71918-208LF](#) [71961-016LF](#) [733-134](#) [733-162](#) [754199-000](#) [760-3052](#) [787-8014-00](#) [79531-3000](#)  
[FCN-360C032-B](#) [FCN-367T-T012/H](#) [FCN-723D010/2](#) [80.063.4001.1](#) [800-90-001-10-001000](#) [800-90-010-10-002000](#) [801-43-002-10-013000](#)