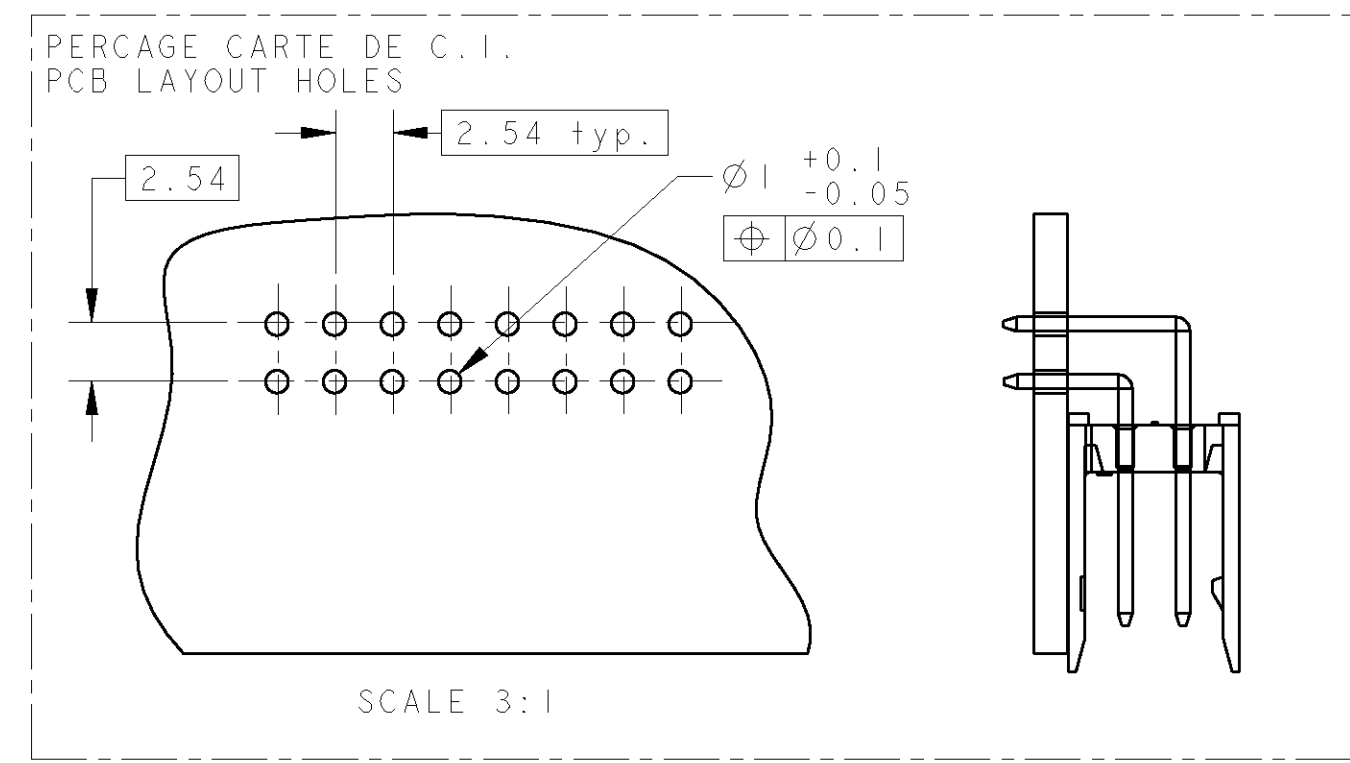
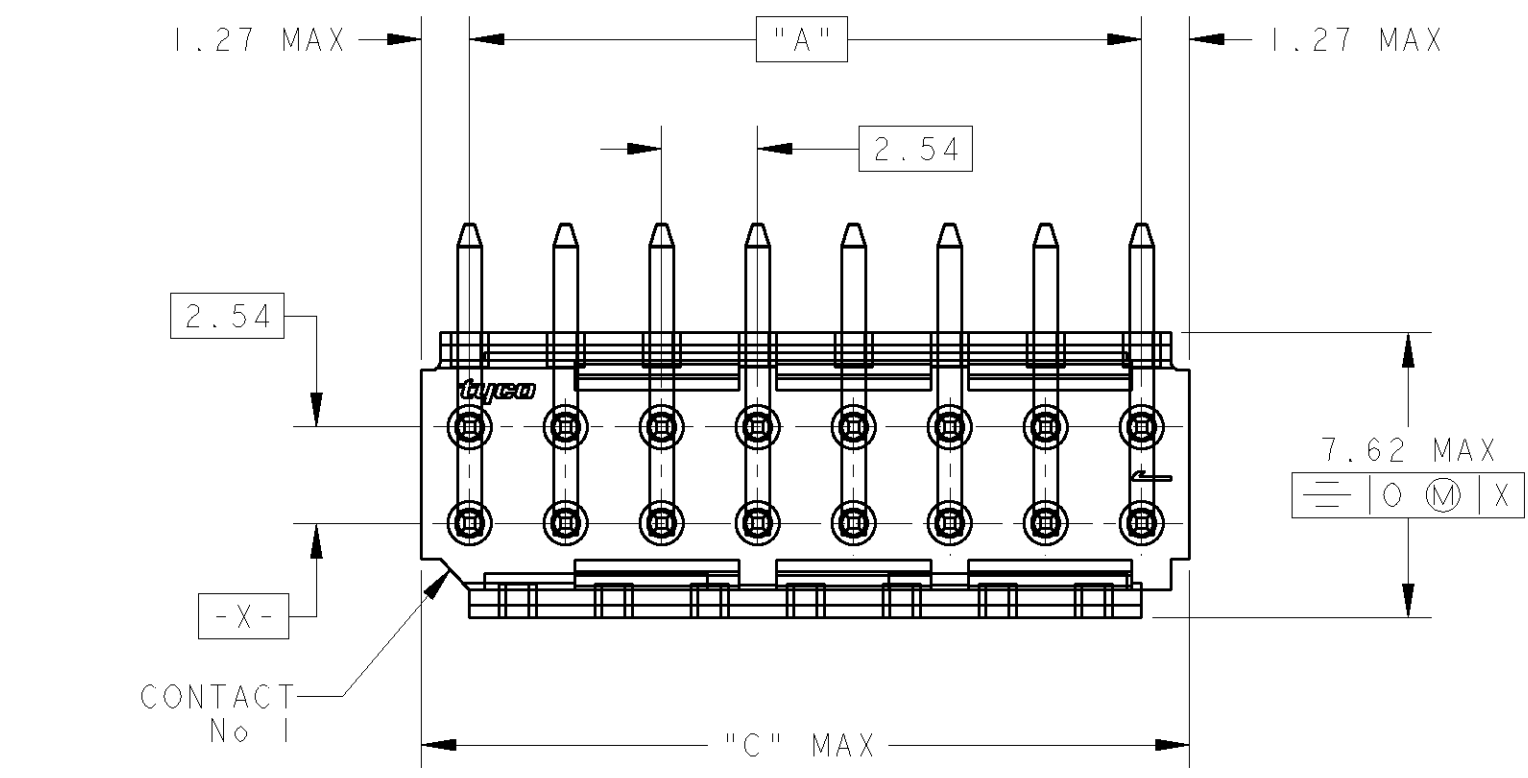
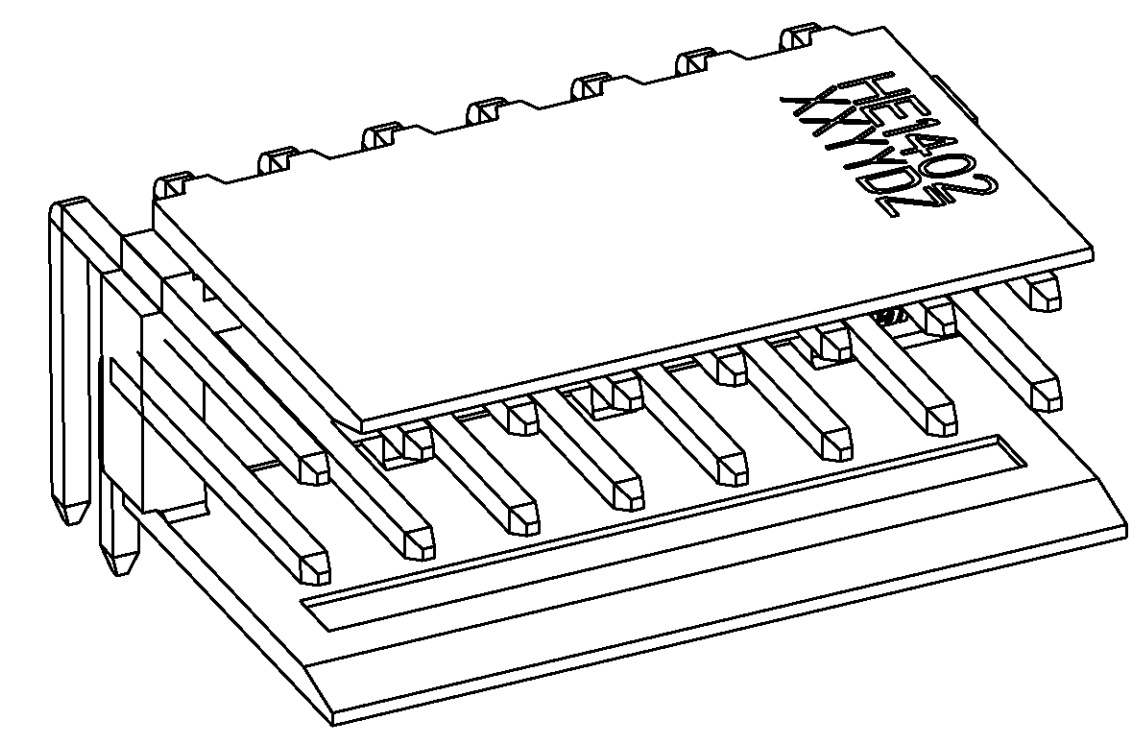
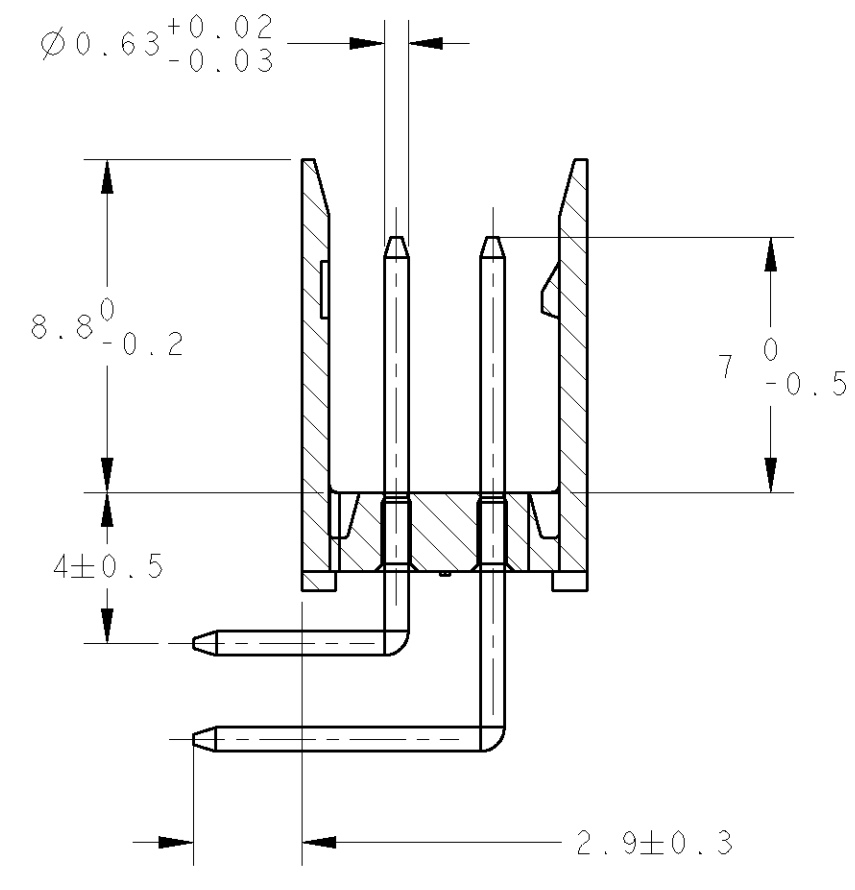
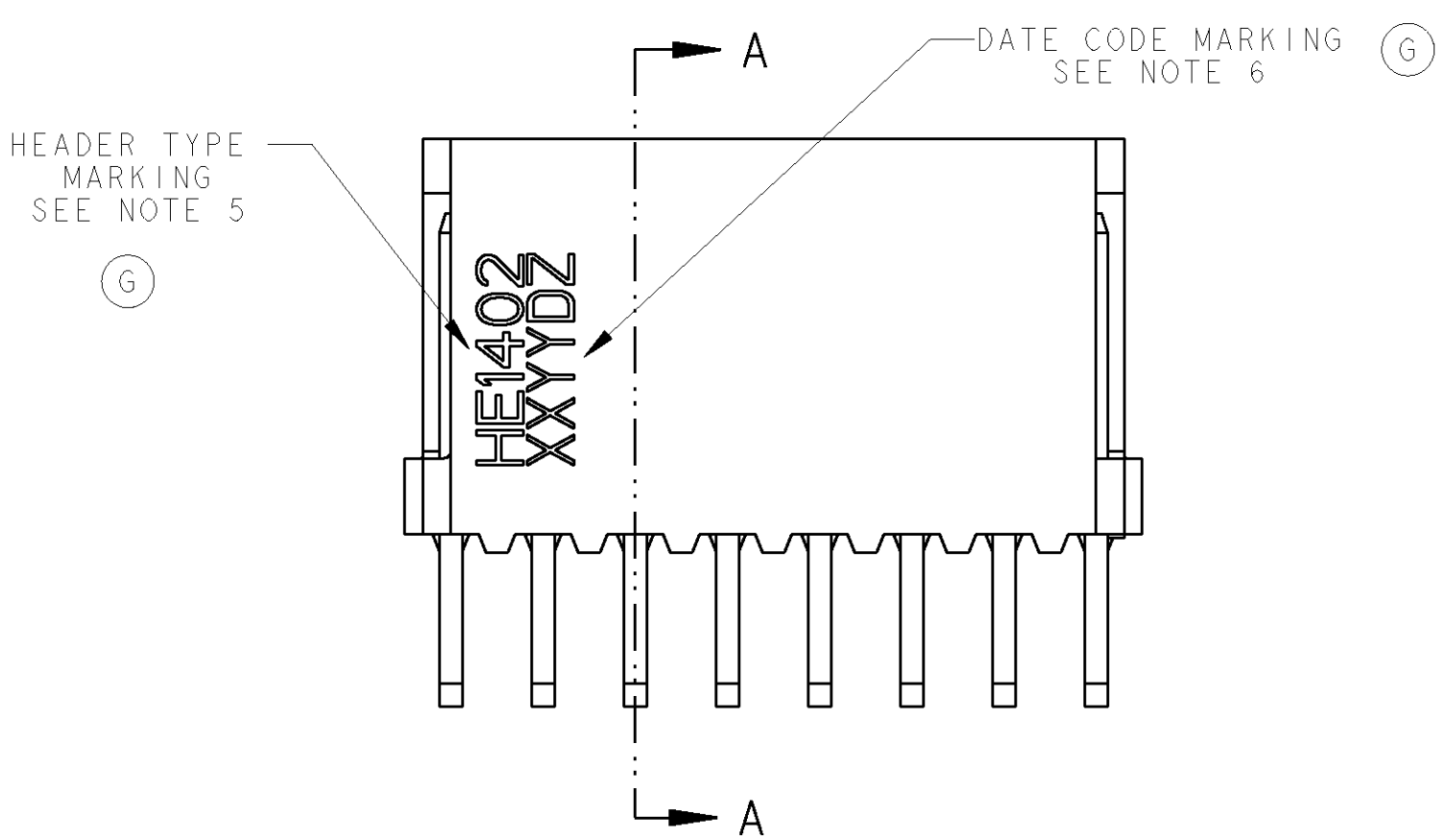


THIS DRAWING IS UNPUBLISHED.
 DIFFUSION RESTREINTE
 © COPYRIGHT

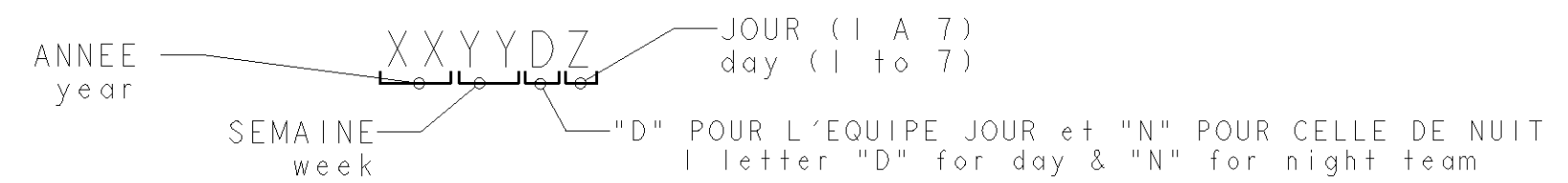
RELEASED FOR PUBLICATION
 LIBRE A LA DIFFUSION
 ALL RIGHTS RESERVED.
 TOUS DROITS RESERVES

LOC	DIST	REVISIONS			
P	LTR	DESCRIPTION MODIFICATIONS	DATE	DWN DESS.	APVD APP.
F	7	G1 REVISED PER ECO-11-005150	19APR11	RK	HMR



C	A	Nb DE POS	PART NUMBER
50.80	48.26	2x 20	2-281742-0
45.72	43.18	2x 18	1-281742-8 *
43.18	40.64	2x 17	1-281742-7
38.10	35.56	2x 15	1-281742-5 *
33.02	30.48	2x 13	1-281742-3
30.48	27.94	2x 12	1-281742-2 *
25.40	22.86	2x 10	1-281742-0 *
20.32	17.78	2x 8	0-281742-8 *
15.24	12.70	2x 6	0-281742-6 *
12.70	10.16	2x 5	0-281742-5 *
10.16	7.62	2x 4	0-281742-4 *
7.62	5.08	2x 3	0-281742-3 *
5.08	2.54	2x 2	0-281742-2

- NOTES:
- CES EMBASES SONT PREVUES POUR ETRE ACCOUPLEES AVEC LES FICHES "HE1402" SIMPLE RANGEE.
(These headers are designed to be mated with "HE1402" connectors single row)
 - LES REFERENCES SUIVIES D'UN * SONT LES VERSIONS NORMALISEES SELON LA NORME CEI 603-8
(The parts numbers followed by * are covered by the international standard IEC 603-8)
 - RETEVEMENT DES CONTACTS: ETAIN PUR SUR NICKEL
(Contacts plating: lead free tin over nickel)
 - MATIERE PLASTIQUE: TERMO-PLASTIQUE HAUTE TEMPERATURE, UL-94V0, COULEUR BLEUE
(Plastic material: High temperature thermoplastic, UL-94V0, Blue color)
MATIERE DES CONTACTS: BRONZE PHOSPHOREUX
(Contacts material: phosphor bronze)
 - MARQUAGE DU TYPE D'EMBASE (HE1402) A L'ENCRE NOIRE
(header type marking (HE1402) with black ink)
 - MARQUAGE DE LA DATE A L'ENCRE NOIRE :
(date code marking with black ink)



DIMENSIONS: mm		TOLERANCES UNLESS OTHERWISE SPECIFIED: (SUIV. NB DE DECIMALES) 0 PLC/DEC: ± 1 PLC/DEC: ±0.3 2 PLC/DEC: ±0.13 3 PLC/DEC: ±0.013 4 PLC/DEC: ±0.0013 ANGLES ±°		DWN/DESSINE 22NOV2000 C. COMBEDOUZON CHK/VERIFIE 22NOV2000 I. CORRIOL APVD/APROUVE 22NOV2000 Y. PETRONIN		TE Connectivity HEADERS HE14, DOUBLE ROW, RIGHT ANGLE	
MATERIAL/MATIERE	FINISH/FINITION	WEIGHT MASSE APPROX.	APPLICATION SPEC SPEC. APPLICATION	SIZE FORMAT	CAGE CODE	DRAWING NO No PLAN	RESTRICTED TO RESERVE A
4	3	-	-	A2	00779	G-281742	-
CUSTOMER DRAWING /PLAN CLIENT		UNIQUEMENT POUR REFERENCE	SCALE ECHELLE 5:1	SHEET FEUILLE	OF DE	REV G1	

X-ON Electronics

Largest Supplier of Electrical and Electronic Components

Click to view similar products for [Headers & Wire Housings](#) category:

Click to view products by [TE Connectivity](#) manufacturer:

Other Similar products are found below :

[95000-104TRLF](#) [10135584-644402LF](#) [DF62W-EP2022PCA](#) [95000-106TRLF](#) [DF62W-2022SCA](#) [DF62W-EP2022PC](#) [2203348](#) [DF62W-2022SC](#) [1084018](#) [1029039](#) [1084017](#) [802-10-012-10-002000](#) [1112640](#) [1112639](#) [000-34000](#) [0009482033](#) [0009507031](#) [57102-S06-03LF](#) [57202-S52-04LF](#) [PCN6-15S-2.5E](#) [0039019024](#) [58102-G61-06LF](#) [582553-1](#) [0009508121](#) [0050291907](#) [018731A](#) [LY20-4P-DT1-P1E-BR](#) [02.125.8002.8](#) [60101931](#) [60598-1 \(Cut Strip\)](#) [M1625-3R/100](#) [61062-3](#) [61082-181009](#) [636-1427](#) [638009-1](#) [641938-9](#) [641991-4](#) [644168-1](#) [647662-1](#) [65039-019ELF](#) [65817-002LF](#) [65817-015LF](#) [65863-015LF](#) [66207-023LF](#) [67016-026LF](#) [67046-001LF](#) [67095-007LF](#) [68002-116](#) [68016-236H](#) [68648-049](#)