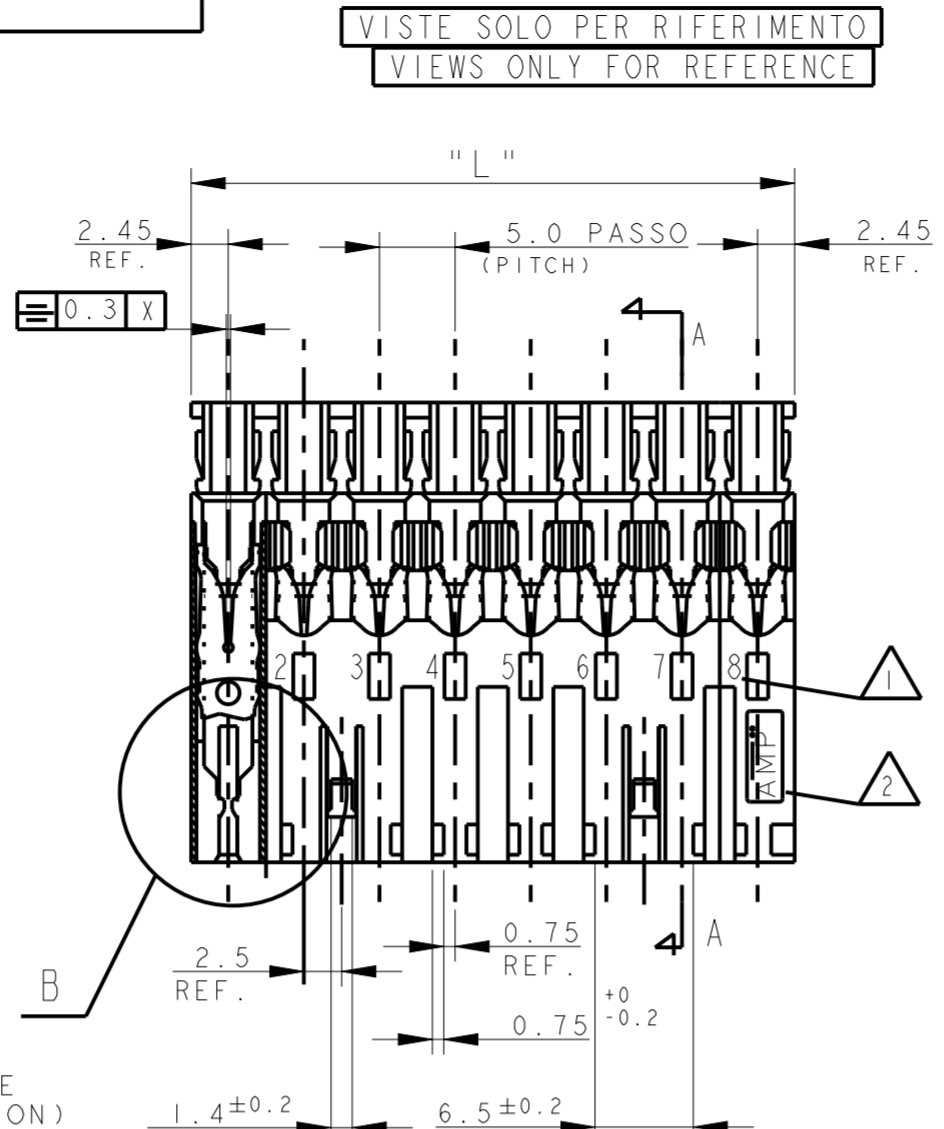
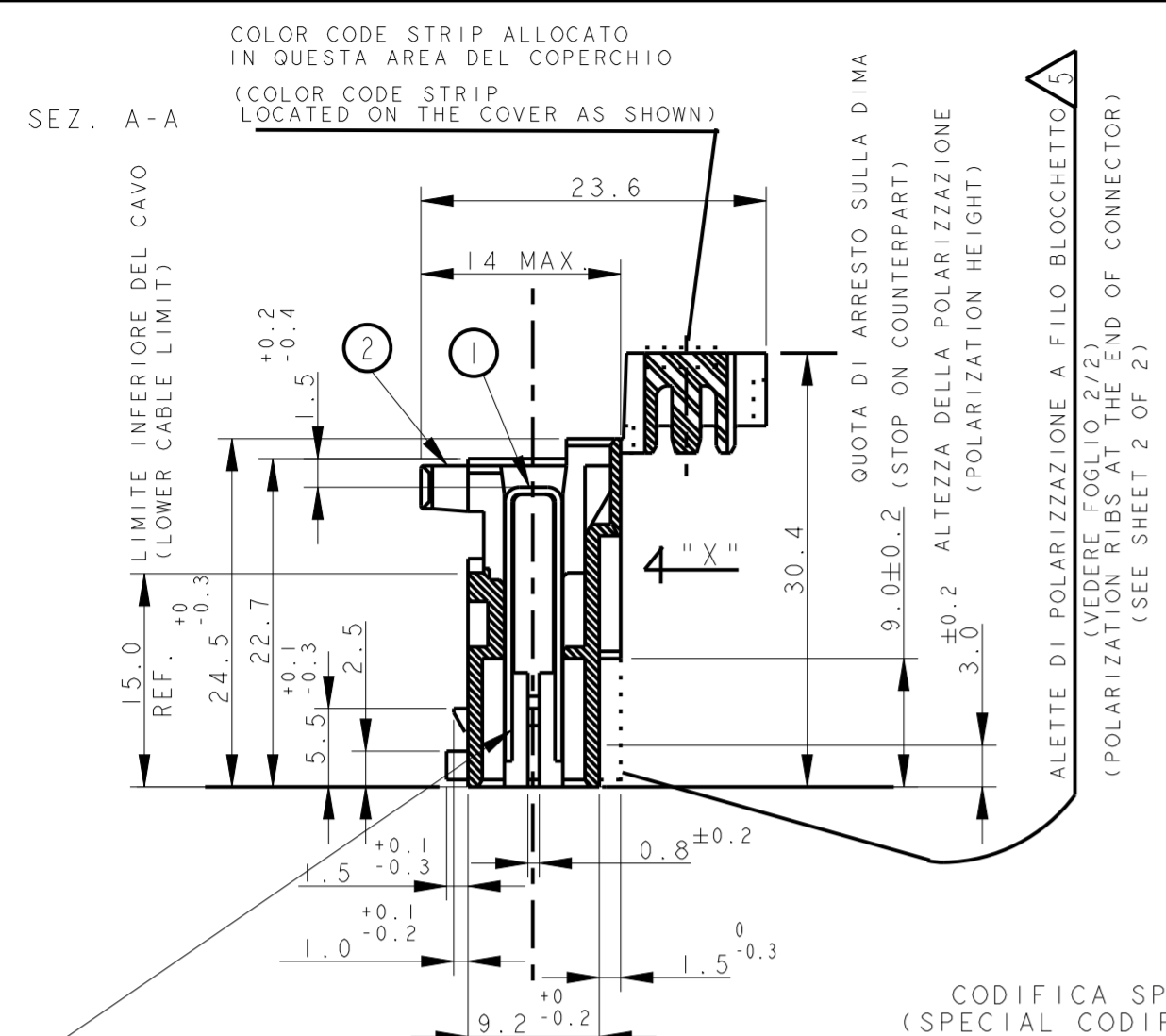
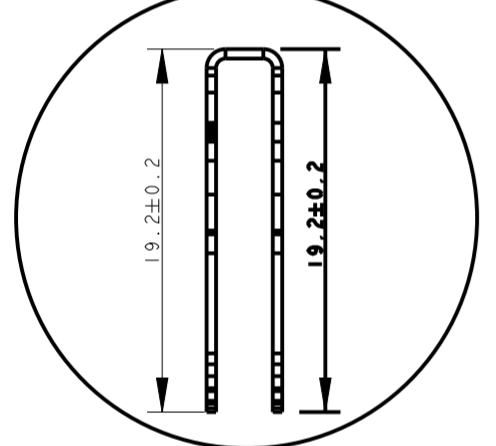


THIS DRAWING IS UNPUBLISHED. RELEASED FOR PUBLICATION  
 (C) COPYRIGHT 2011 ALL RIGHTS RESERVED.

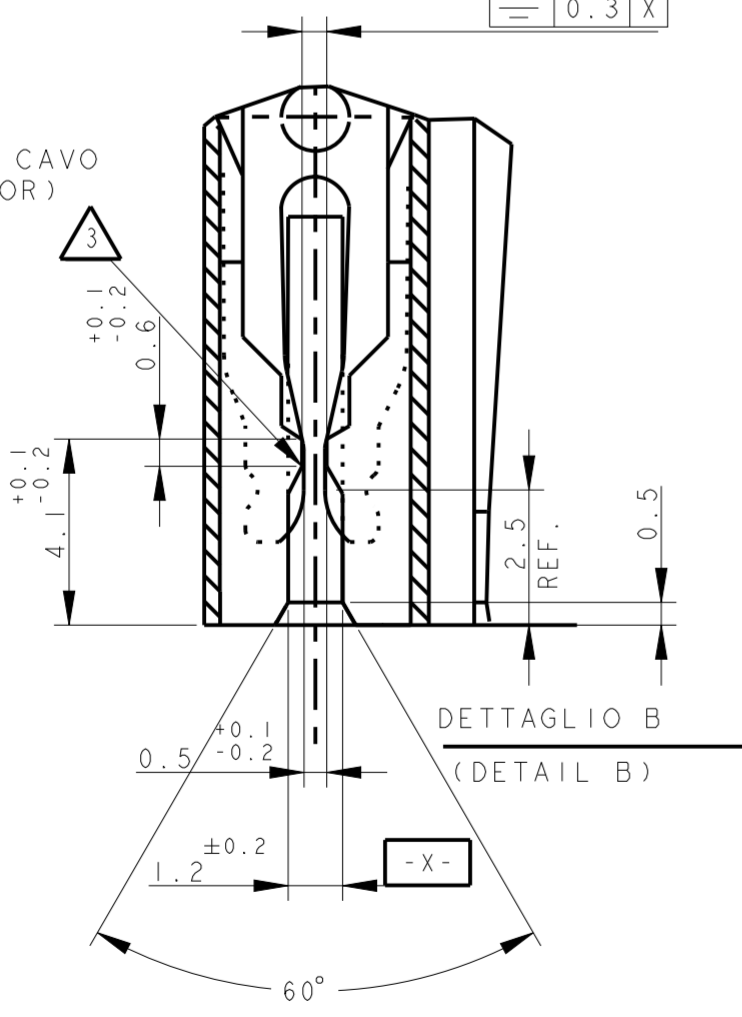
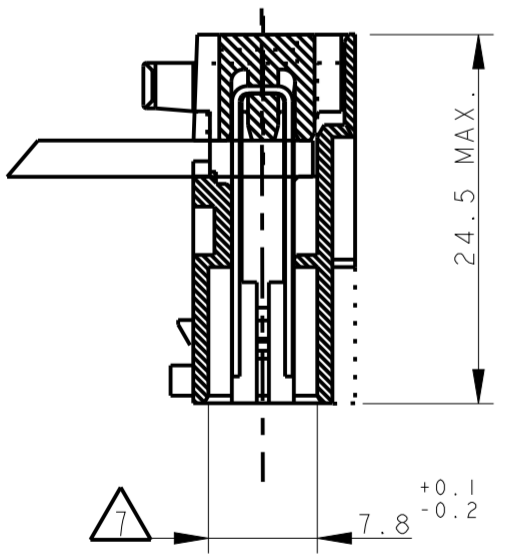
| LOC  |               | DIST        |           | REVISIONS |      |  |  |
|------|---------------|-------------|-----------|-----------|------|--|--|
| P    | LTR           | DESCRIPTION | DATE      | DWN       | APVD |  |  |
| AA43 | ECR-21-100150 |             | 19JAN2021 | SM        | FL   |  |  |
| AA44 | ECR-21-101190 |             | 26MAR2021 | SM        | FL   |  |  |



DETTAGLIO DEL CONTATTO. DIMENSIONI RIFERITE AL COMPONENTE INSERITO IN CAVITA' (ENLARGED VIEW OF TAB CONTACT DIM. REFERRED TO CONTACT INSERTED IN THE HOUSING CAVITY)



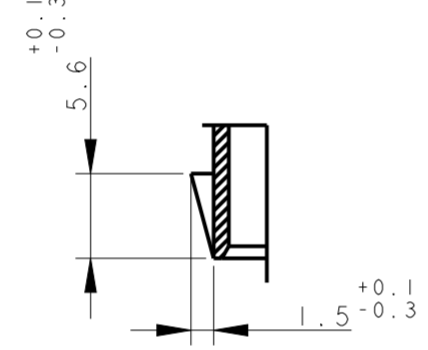
CONNETTORE COMPLETO DI CAVO (TERMINATED CONNECTOR)



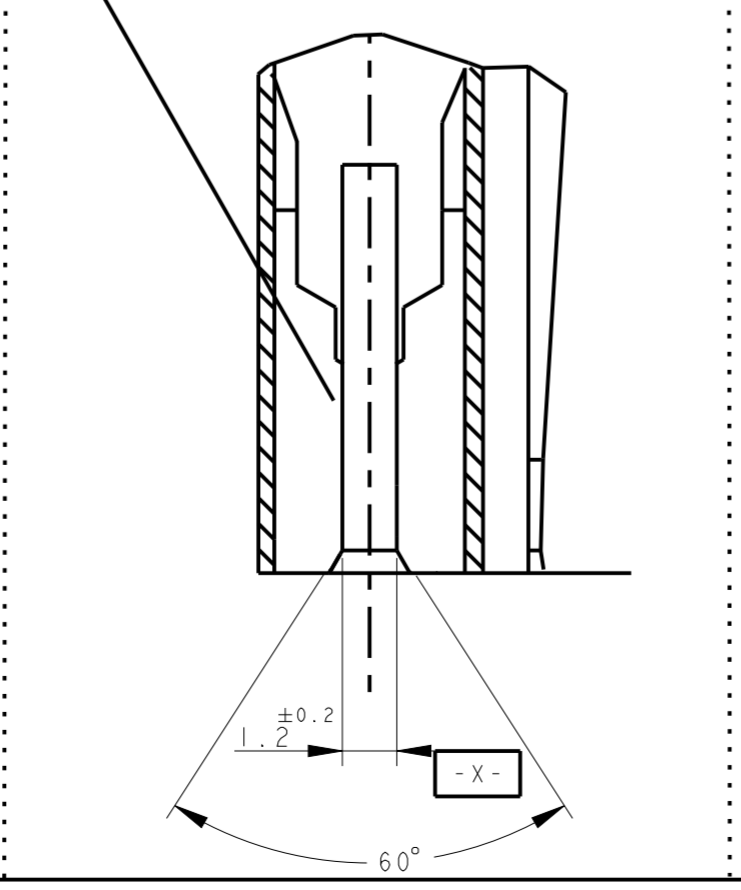
DETAIL PN/s:  
 1-282006-3  
 2-282006-3  
 3-282006-3

POLARIZATION KEYS (VIEW FROM "X")

CODIFICA SPECIALE (SPECIAL CODIFICATION)



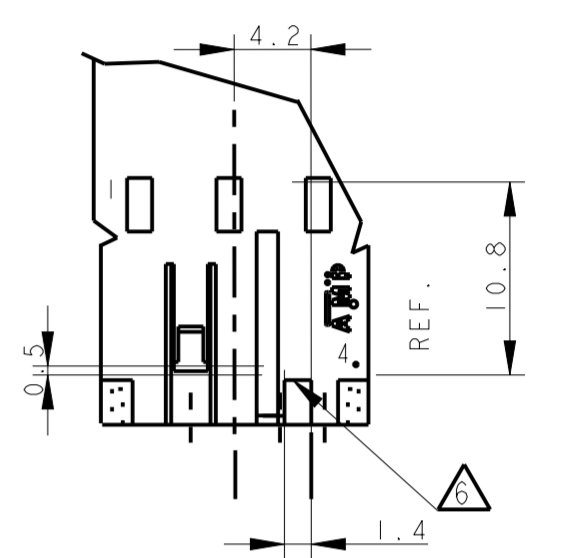
PN X-282002-8  
 PN I-2293382-2  
 (DETAIL "B" FOR CAVITY 1 & 2)



NOTE/NOTES:

- 1 NUMERI DI IDENTIFICAZIONE CAVITA' (CIRCUIT IDENTIFICATION)
- 2 MARCHIO DI FABBRICA LIBERA POSIZIONE (AMP LOGO FREE POSITION)
- 3 RETENTION TOOTH IS REQUESTED FOR THE 2 AND 3 POS. ONLY
- 4 PERTE PRELIMINARE, NON ANCORA IN PRODUZIONE (PRELIMINARY PART, NOT YET RELEASED FOR PRODUCTION)
- 5 PER QUESTI P/N LA POLARIZZAZIONE POSTERIORE DEVE INTENDERSI COMPLETA, A FINE BLOCCETTO. (per la rappresentazione vedere foglio 1/2) (FOR THE INDICATE P/N THE POLARIZATION MUST BE AT THE END OF CONNECTOR (see sheet 2 of 2.
- 6 CODIFICA CON DIFFERENTE DIMENSIONE. (CODIFICATION WITH DIFFERENT DIMENSION).
- 7 BECOMES 6.5 FOR BOTH CAVITIES ON THE 2 POS., ON CAVITY N.1 AND N.3 ON THE 3 POS. AND ON CAVITY N.1 ON THE 4 POS. CONNECTOR
- 8 INCLUDE LA POLARIZZAZIONE DOVE E' ESISTENTE (INCLUDING POLARIZATION KEY, WHEN EXISTING)
- 9 DETAIL FOR PN X-282002-8 AND PN I-2293382-2, SPECIAL VERSION, SEE ALSO NOTE 3
- 10 P/N NON RILASCIATO PER LA PRODUZIONE (P/N NOT YET RELEASED FOR PRODUCTION)
- 11 ---
- 12 GEOMETRIA ALTERNATIVA DEL DENTINO DI AGGANCIAMENTO VEDI NOTA 3 PER ALTRI DETTAGLI (ALTERNATIVE SHAPE FOR RETENTION TOOTH, SEE NOTE 3 FOR ADDITIONAL DETAILS)
- 13 STATO DI FORNITURA: CONFEZIONAMENTO IN "VASSOI + SCATOLA" (PACKAGING: "ON TRAY PLUS CARTON BOX")
- 14 CONFEZIONAMENTO IN BOBINA OBSOLETO (PACKAGING: ON REEL OBSOLETE)
- 15 OBSOLETE PARTS: OBSOLETE CIS STREAMLINING PER D.RENAUD/D.SINISI
- 16 THE DESIRED POLARIZATION CAN BE OBTAINED BY THE TERMINATION MACHINE
- 17 EXCEPTION MADE FOR PN FOR THIS PN CAVITY 1 IS WITHOUT RETENTION TOOTH AND HAS THE SAME DESIGN AS THE CAVITY N.2
- 18 OBSOLETE PART

DETAIL FOR PN 0-282233-2 ONLY



| ITEM | DENOMINAZIONE (DESCRIPTION) | FINITURA / COLORE (FINISH / COLOUR) | MATERIALE (MATERIAL)                                    |
|------|-----------------------------|-------------------------------------|---|
| 2    | BLOCCETTO (HOUSING)         | NATURALE (NATURAL)                  | PA 6.6 CARICATO VETRO (POLIAMIDE 6.6 GLASSFIBER FILLED) |
| 1    | CONTATTO (CONTACT)          | STAGNATO (TIN-PLATED)               | OTTONE (BRASS)  |

DIAM. ISOLANTE (INS. DIA. RANGE) 3,0 max.  
 RANGO FILO (WIRE RANGE) 0.5-1.5mm2

THIS DRAWING IS A CONTROLLED DOCUMENT.

DWN G. ENDRIZZI 23 JUL 1995  
 CHK G. TURCO 23 JUL 1995  
 APVD G. TURCO 23 JUL 1995

STE TE Connectivity

MONO-SHAPE MK1  
 TAB CONNECTORS 2-10 POS.

SIZE A2 CAGE CODE 0779 DRAWING NO. C-282002 RESTRICTED TO

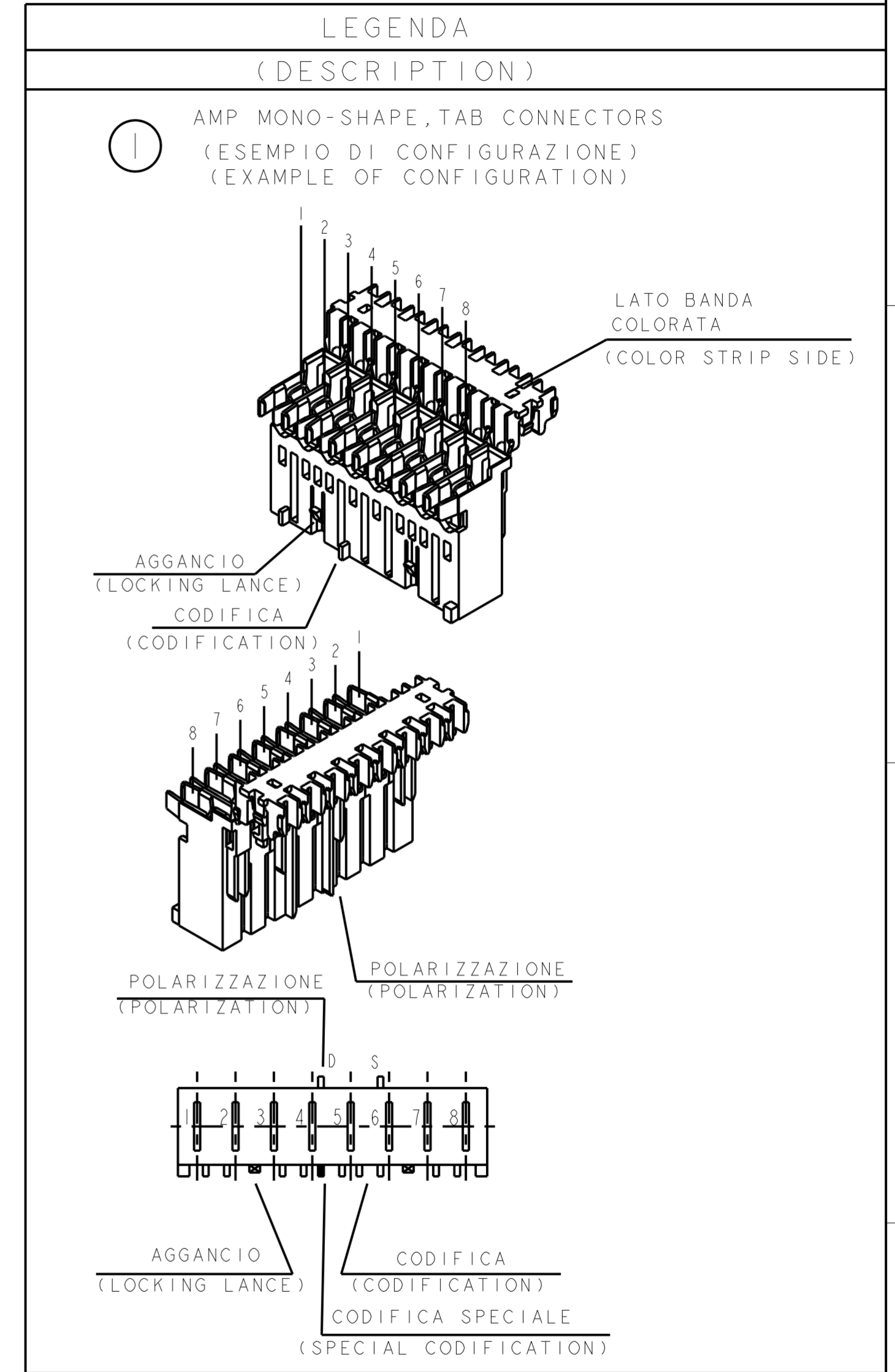
Customer Drawing SCALE - SHEET 1 OF 6 REV AA44

THIS DRAWING IS UNPUBLISHED. RELEASED FOR PUBLICATION  
 © COPYRIGHT 2011 ALL RIGHTS RESERVED.

| LOC | DIST | REVISIONS   |      |     |      |
|-----|------|-------------|------|-----|------|
| P   | LTR  | DESCRIPTION | DATE | DWN | APVD |
| -   | -    | SEE SHEET 1 |      |     |      |

VISTE SOLO PER RIFERIMENTO  
 VIEWS ONLY FOR REFERENCE

| NUMERO DI VIE | CONFIGURAZIONE (Vista connettore dall'alto) | TE PART NUMBER ASSY CONN. |                        |                                |          | POSIZIONE POLARIZ. (LATO POSTERIORE) | POSIZIONE AGGANCIO (LATO ANTERIORE) | POSIZIONE CODIFICA SPECIALE (LATO ANTERIORE) | L +0.2 -0.3 (mm) | NOTE MARCHIATURA CON BANDA COLORATA | POSSIBILE RAST 5 POLARIZ. |
|---------------|---|---------------------------|------------------------|--------------------------------|----------|--------------------------------------|-------------------------------------|--|------------------|-------------------------------------|---------------------------|
|               |   | VERSIONE PEZZI IN VASSOIO | VERSIONE PEZZI SCIOLTI | TRAY PACKAGING VERSION         | PART REV |                                      |                                     |  |                  |                                     |                           |
| NO OF POS     | CONFIGURATION (View from top side)          | TRAY PACKAGING VERSION    | PART REV               | LOOSE PIECES PACKAGING VERSION | PART REV | POLARIZ. POSITION (BACK SIDE)        | LOCKING POSITION (FRONT SIDE)       | SPECIAL COD. POSITION (FRONT SIDE)           | L +0.2 -0.3 (mm) | NOTE STRIP COLOUR                   | POSSIBLE RAST 5 POLARIZ.  |
| 2             |   | 4-282002-1                | AA                     | -                              | -        | 2S                                   | 1-2                                 | -  | 9.9              | NERO BLACK                          | 02-C                      |
| 2             |   | 1-282002-1                | V                      | 2-282002-1                     | V        | 2S                                   | 1-2                                 | -  | 9.9              | NERO BLACK                          | 02-C                      |
| 2             |   | 1-282002-2                | V                      | 2-282002-2                     | V        | 1S                                   | 1-2                                 | -  | 9.9              | GRIGIO GREY                         | 02-B<br>02-E<br>02-F      |
| 2             |   | 1-282002-3                | V                      | <del>2-282002-3</del>          | V        | 2D                                   | 1-2                                 | -  | 9.9              | ROSSO RED                           | 02-L                      |
| 2             |   | 1-282002-4                | V                      | <del>2-282002-4</del>          | V        | 1D                                   | 1-2                                 | -  | 9.9              | BLU BLUE                            | 02-A                      |
| 2             |   | 1-282002-5                | V                      | 2-282002-5                     | V        | 2S                                   | 1-2                                 | -  | 9.9              | NERO BLACK                          | 02-Q                      |
| 2             |   | 3-282002-5                | AA                     | -                              | -        | 1D                                   | 1-2                                 | -  | 9.9              | NERO BLACK                          | 02-Q                      |
| 2             |   | 1-282002-6                | V                      | 2-282002-6                     | V        | -                                    | 1-2                                 | -  | 9.9              | NERO BLACK                          | -                         |
| 2             |   | 1-282002-7                | V                      | <del>2-282002-7</del>          | V        | -                                    | 1-2                                 | -  | 9.9              | -                                   | -                         |
| 2             |   | 1-282002-8                | V                      | <del>2-282002-8</del>          | V        | 1S                                   | 1-2                                 | -  | 9.9              | VERDE GREEN                         | 02-B<br>02-E<br>02-F      |
| 2             |   | 2-282002-9                | I                      | -                              | -        | 1D                                   | 1-2                                 | -  | 9.9              | -                                   | -                         |
| 2             |   | 3-282002-0                | I                      | -                              | -        | 2D                                   | 1-2                                 | -  | 9.9              | -                                   | -                         |
| 2             |   | 3-282002-4                | AA                     | -                              | -        | 1D                                   | 1-2                                 | -  | 9.9              | -                                   | 02-A                      |
| 2             |   | 5-282002-2                | A                      | -                              | -        | 2S                                   | 1-2                                 | -  | 9.9              | YELLOW                              | 02-B<br>02-E<br>02-F      |
| 2             |   | 6-282002-0                | AA                     | -                              | -        | 1S                                   | 1-2                                 | -  | 9.9              | RED                                 | -                         |
| 3             |   | 1-282003-1                | V                      | <del>2-282003-1</del>          | V        | 1D                                   | 1-2                                 | -  | 14.9             | ARANCIO ORANGE                      | 03-A<br>03-I              |
| 3             |   | 4-282003-1                | AA                     | -                              | -        | 1D                                   | 1-2                                 | -  | 14.9             | ARANCIO ORANGE                      | 03-A<br>03-I              |
| 3             |   | 1-282003-2                | V                      | <del>2-282003-2</del>          | V        | 2D                                   | 2-3                                 | -  | 14.9             | BLU BLUE                            | 03-B                      |
| 3             |   | 1-282003-3                | V                      | <del>2-282003-3</del>          | V        | 3D                                   | 1-2                                 | -  | 14.9             | VERDE GREEN                         | 03-F                      |
| 3             |   | 1-282003-4                | V                      | <del>2-282003-4</del>          | V        | 3D                                   | 2-3                                 | -  | 14.9             | ROSSO RED                           | 03-B                      |
| 3             |   | 1-282003-5                | V                      | 2-282003-5                     | V        | 2D                                   | 2-3                                 | -  | 14.9             | GRIGIO GREY                         | 03-B                      |
| 3             |   | 1-282003-6                | V                      | 2-282003-6                     | V        | -                                    | 1-2                                 | -  | 14.9             | VIOLA VIOLET                        | -                         |
| 3             |   | 1-282003-7                | V                      | -                              | -        | 2D                                   | 2-3                                 | -  | 14.9             | NERO BLACK                          | 03-B                      |
| 3             |   | 3-282003-3                | I                      | -                              | -        | 3D                                   | 1-2                                 | -  | 14.9             | -                                   | -                         |
| 3             |   | 3-282003-4                | I                      | -                              | -        | 1D - 2S                              | 1-2                                 | -  | 14.9             | -                                   | -                         |
| 3             |   | 3-282003-5                | I                      | -                              | -        | 2D - 3S                              | 2-3                                 | -  | 14.9             | -                                   | -                         |
| 3             |   | 3-282003-6                | AA                     | -                              | -        | 1S - 1D                              | 1-2                                 | -  | 14.9             | -                                   | -                         |
| 3             |   | <del>2-282233-2</del>     | V                      | <del>2-282233-2</del>          | V        | 2S - 2D                              | 2-3                                 | -  | 14.9             | -                                   | -                         |
| 3             |   | 1-284396-1                | Z                      | -                              | -        | 1S                                   | 1-2                                 | -  | 14.9             | -                                   | 03-D                      |
| 3             |   |                           |                        |                                |          | 2S                                   | 2-3                                 | -  | 14.9             | NERO BLACK                          | -                         |



THIS DRAWING IS A CONTROLLED DOCUMENT.

|                    |  |  |                     |
|--------------------|--|--|---------------------|
| DIMENSIONS: mm     | TOLERANCES UNLESS OTHERWISE SPECIFIED: 0 PLC ± 0.3 | DWN G. ENDRIZZI 23 JUL 1995                  | <br>TE Connectivity |
|                    |  | CHK G. TURCO 23 JUL 1995                     |                     |
|                    |  | APVD G. TURCO 23 JUL 1995                    |                     |
|                    |  | PRODUCT SPEC 108-20065-1, 108-20065-2        |                     |
| MATERIAL SEE TABLE | FINISH SEE TABLE                                   | NAME MONO-SHAPE MK1 TAB CONNECTORS 2-10 POS. | RESTRICTED TO       |
| Customer Drawing   |  | SIZE A2                                      | CAGE CODE 0779      |
|                    |  | DRAWING NO. C-282002                         | SCALE -             |
|                    |  | WEIGHT -                                     | SHEET 2 OF 6        |
|                    |  | REV AA44                                     |                     |

THIS DRAWING IS UNPUBLISHED. RELEASED FOR PUBLICATION  
 © COPYRIGHT 2011 ALL RIGHTS RESERVED.

| LOC |     | DIST        |      | REVISIONS |      |  |  |
|-----|-----|-------------|------|-----------|------|--|--|
| P   | LTR | DESCRIPTION | DATE | DWN       | APVD |  |  |
| -   | -   | SEE SHEET 1 |      |           |      |  |  |

| NUMERO DI VIE | CONFIGURAZIONE (Vista connettore dall'alto) | TE PART NUMBER ASSY CONN. |                        | POSIZIONE POLARIZ. (LATO POSTERIORE) | POSIZIONE AGGANCIO (LATO ANTERIORE) | POSIZIONE CODIFICA SPECIALE (LATO ANTERIORE) | L +0.2 / -0.3 (mm)            | NOTE MARCHIATURA CON BANDA COLORATA | POSSIBLE RAST 5 POLARIZ. |                          |
|---------------|---|---------------------------|------------------------|--------------------------------------|-------------------------------------|--|-------------------------------|-------------------------------------|--------------------------|--------------------------|
|               |   | VERSIONE PEZZI IN VASSOIO | VERSIONE PEZZI SCIOLTI |                                      |                                     |  |                               |                                     |                          |                          |
| NO OF POS     | CONFIGURATION (View from top side)          | TRAY PACKAGING VERSION    | PART REV               | LOOSE PIECES PACKAGING VERSION       | PART REV                            | POLARIZ. POSITION (BACK SIDE)                | LOCKING POSITION (FRONT SIDE) | SPECIAL COD. POSITION (FRONT SIDE)  | NOTE STRIP COLOUR        | POSSIBLE RAST 5 POLARIZ. |
| 4             |   | 1-282004-1                | V                      | <del>2-282004-1</del>                | V                                   | 1D   | 1-2                           | 2D                                  | GRIGIO GREY              | 04-A                     |
| 4             |   | 1-282004-2                | V                      | 2-282004-2                           | V                                   | 3D   | 3-4                           | -                                   | NERO BLACK               | 04-D                     |
| 4             |   | 1-282004-3                | V                      | <del>2-282004-3</del>                | V                                   | 1D   | 1-2                           | 2D                                  | ROSSO RED                | 04-A                     |
| 4             |   | 1-282004-4                | S                      | -                                    | -                                   | 3D   | 1-2                           | -                                   | BLU BLUE                 | -                        |
| 4             |   | 3-282004-4                | AA                     | -                                    | -                                   | 4D   | 3-4                           | -                                   | -                        | -                        |
| 4             |   | 4-282004-4                | I                      | -                                    | -                                   | 1S   | 1-2                           | -                                   | -                        | 04-A                     |
| 4             |   | 4-282004-4                | I                      | -                                    | -                                   | 4D   | 3-4                           | -                                   | -                        | -                        |
| 5             |   | 1-282005-1                | V                      | 2-282005-1                           | V                                   | 4D   | 4-5                           | -                                   | ROSSO RED                | -                        |
| 5             |   | 1-284545-1                | Z                      | -                                    | -                                   | 2S   | 4-5                           | -                                   | ROSSO RED                | -                        |
| 5             |   | 1-284545-2                | A                      | -                                    | -                                   | 1S   | -                             | 3D                                  | -                        | -                        |
| 5             |   | 1-284545-3                | A                      | -                                    | -                                   | 5D   | 3-4                           | -                                   | BLU BLUE                 | -                        |
| 5             |   | 1-293003-5                | Z                      | -                                    | -                                   | 1S   | 1-2                           | -                                   | BLU BLUE                 | -                        |
| 5             |   | 1-293003-5                | Z                      | -                                    | -                                   | 5D   | 3-4                           | -                                   | ROSSO RED                | -                        |
| 6             |   | 1-282006-2                | V                      | <del>2-282006-2</del>                | V                                   | 2S   | 2-3                           | -                                   | VIOLO VIOLET             | -                        |
| 6             |   | 1-282006-3                | V                      | <del>2-282006-3</del>                | V                                   | 5D   | 4-5                           | -                                   | -                        | -                        |
| 6             |   | 2-282006-4                | V                      | -                                    | -                                   | 2S - 3D                                      | 4-5                           | -                                   | -                        | -                        |
| 6             |   | 2-282006-4                | V                      | -                                    | -                                   | 4D - 5D                                      | -                             | 5S                                  | NERO BLACK               | -                        |
| 6             |   | 1-284745-1                | Z                      | -                                    | -                                   | 3D   | -                             | -                                   | -                        | -                        |
| 6             |   | 1-284745-1                | Z                      | -                                    | -                                   | 5D   | 4-5                           | -                                   | ROSSO RED                | -                        |
| 6             |   | 1-284745-2                | I                      | -                                    | -                                   | 6D   | 4-5                           | -                                   | ROSSO RED                | -                        |
| 6             |   | 1-284745-2                | I                      | -                                    | -                                   | 5D   | 3-4                           | -                                   | RED                      | -                        |
| 6             |   | 1-284745-3                | AA                     | -                                    | -                                   | 6D   | 4-5                           | -                                   | VIOLET                   | -                        |
| 6             |   | 1-284745-3                | AA                     | -                                    | -                                   | 5D   | 3-4                           | -                                   | VIOLET                   | -                        |
| 6             |   | 1-284745-4                | AA                     | -                                    | -                                   | 1S   | 2-3                           | -                                   | ORANGE                   | -                        |
| 7             |   | 1-282007-1                | V                      | <del>2-282007-1</del>                | V                                   | 1D   | 1-2                           | 3S                                  | -                        | -                        |
| 7             |   | 2-282007-2                | V                      | -                                    | -                                   | 5D   | 5-6                           | -                                   | -                        | -                        |
| 7             |   | 2-282007-2                | V                      | -                                    | -                                   | 4D   | -                             | 6S                                  | VIOLO VIOLET             | -                        |
| 7             |   | 2-282007-3                | I                      | -                                    | -                                   | 6D   | -                             | -                                   | -                        | -                        |
| 7             |   | 2-282007-3                | I                      | -                                    | -                                   | 1S - 2S - 2D                                 | 1-2                           | -                                   | -                        | -                        |
| 7             |   | 3-282007-2                | AA                     | -                                    | -                                   | 3S - 3D - 4D                                 | 1-2                           | -                                   | -                        | -                        |
| 7             |   | 3-282007-2                | AA                     | -                                    | -                                   | 5S - 6S - 6D                                 | 5-6                           | -                                   | -                        | -                        |
| 7             |   | 1-284397-1                | Z                      | -                                    | -                                   | 7S - 7D                                      | 5-6                           | -                                   | -                        | -                        |
| 7             |   | 1-284397-1                | Z                      | -                                    | -                                   | -  | 1-2                           | -                                   | NERO BLACK               | -                        |
| 7             |   | 1-293004-7                | Z                      | -                                    | -                                   | -  | 1-2                           | -                                   | ROSSO RED                | -                        |
| 7             |   | 1-293004-7                | Z                      | -                                    | -                                   | -  | 1-2                           | -                                   | ROSSO RED                | -                        |
| 7             |   | 2-293004-7                | I                      | -                                    | -                                   | -  | 5-6                           | -                                   | GRIGIO GREY              | -                        |
| 7             |   | 2-293004-7                | I                      | -                                    | -                                   | -  | 1-2                           | -                                   | GRIGIO GREY              | -                        |
| 8             |   | 0-284085-1                | V                      | <del>2-284085-1</del>                | V                                   | 2D - 6S                                      | -                             | 4S                                  | -                        | -                        |
| 8             |   | 0-284085-1                | V                      | <del>2-284085-1</del>                | V                                   | 4D - 6D                                      | -                             | -                                   | -                        | -                        |
| 8             |   | 0-284085-2                | V                      | <del>2-284085-2</del>                | V                                   | -  | 2-3                           | -                                   | VIOLO VIOLET             | -                        |

VISTE SOLO PER RIFERIMENTO  
 VIEWS ONLY FOR REFERENCE

LEGENDA  
 (DESCRIPTION)

AMP MONO-SHAPE, TAB CONNECTORS  
 (ESEMPIO DI CONFIGURAZIONE)  
 (EXAMPLE OF CONFIGURATION)

|  |  |                             |                     |  |  |
|--|--|-----------------------------|---------------------|--|--|
| THIS DRAWING IS A CONTROLLED DOCUMENT. |  | DWN G. ENDRIZZI 23 JUL 1995 | <br>TE Connectivity | MONO-SHAPE MK1<br>TAB CONNECTORS 2-10 POS. |  |
| DIMENSIONS: mm                         |  | CHK G. TURCO 23 JUL 1995    |                     | NAME                                       |  |
| TOLERANCES UNLESS OTHERWISE SPECIFIED: |  | APVD G. TURCO 23 JUL 1995   | PRODUCT SPEC        |  |  |
| 0 PLC ±                                |  | 108-20065-1, 108-20065-2    | APPLICATION SPEC    |  |  |
| 1 PLC ±                                |  | 114-20016, 114-20016-1      | WEIGHT              |  |  |
| 2 PLC ±                                |  |                             | SCALE               |  |  |
| 3 PLC ±                                |  |                             | SHEET 3 OF 6        |  |  |
| 4 PLC ±                                |  |                             | REV AA44            |  |  |
| MATERIAL SEE TABLE                     |  | FINISH SEE TABLE            | Customer Drawing    |  |  |

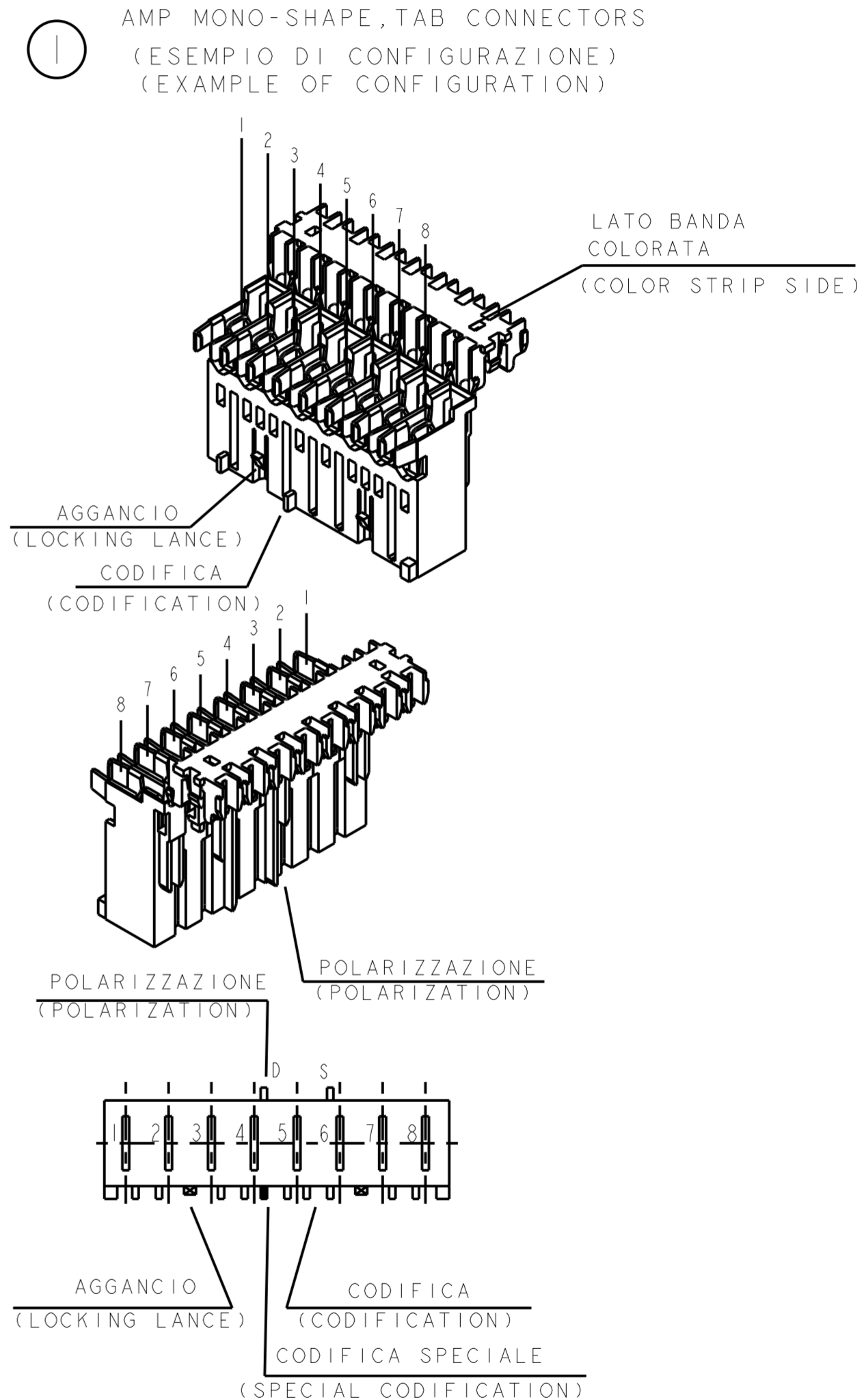
THIS DRAWING IS UNPUBLISHED. RELEASED FOR PUBLICATION  
 © COPYRIGHT 2011 ALL RIGHTS RESERVED.

| LOC |     | DIST        |      | REVISIONS |      |  |  |
|-----|-----|-------------|------|-----------|------|--|--|
| P   | LTR | DESCRIPTION | DATE | DWN       | APVD |  |  |
| -   | -   | SEE SHEET 1 |      |           |      |  |  |

| NUMERO DI VIE | CONFIGURAZIONE (Vista connettore dall'alto) | TE PART NUMBER ASSY CONN. |          |                        |          | POSIZIONE POLARIZ. (LATO POSTERIORE) | POSIZIONE AGGANCIO (LATO ANTERIORE) | POSIZIONE CODIFICA SPECIALE (LATO ANTERIORE) | L +0.2 / -0.3 (mm) | NOTE MARCHIATURA CON BANDA COLORATA | POSSIBLE RAST 5 POLARIZ. |
|---------------|---|---------------------------|----------|------------------------|----------|--------------------------------------|-------------------------------------|--|--------------------|-------------------------------------|--------------------------|
|               |   | VERSIONE PEZZI IN VASSOIO | PART REV | VERSIONE PEZZI SCIOLTI | PART REV |                                      |                                     |  |                    |                                     |                          |
| 10            |   | 1-282010-1                | V        | 2-282010-1             | V        | 6D                                   | 4-5                                 | 6S   | 49.9               | -                                   | -                        |
| 10            |   | 0-284004-1                | V        | -                      | -        | 6D                                   | 4-5                                 | 6S   | 49.9               | -                                   | -                        |

VISTE SOLO PER RIFERIMENTO  
 VIEWS ONLY FOR REFERENCE

LEGENDA  
 (DESCRIPTION)



|  |  |   |  |  |
|--|--|---|--|--|
| THIS DRAWING IS A CONTROLLED DOCUMENT. |  | DWN G. ENDRIZZI 23 JUL 1995             | <b>STE</b> TE Connectivity                   |  |
| DIMENSIONS: mm                         |  | CHK G. TURCO 23 JUL 1995                |  |  |
| TOLERANCES UNLESS OTHERWISE SPECIFIED: |  | APVD G. TURCO 23 JUL 1995               | NAME MONO-SHAPE MK1 TAB CONNECTORS 2-10 POS. |  |
| 0 PLC ±                                |  | PRODUCT SPEC 108-20065-1, 108-20065-2   | SIZE CAGE CODE DRAWING NO RESTRICTED TO      |  |
| 1 PLC ±                                |  | APPLICATION SPEC 114-20016, 114-20016-1 | A200779 C-282002                             |  |
| 2 PLC ±                                |  | WEIGHT --                               | SCALE - SHEET 4 OF 6 REV AA44                |  |
| 3 PLC ±                                |  |   |  |  |
| 4 PLC ±                                |  |   |  |  |
| ANGLES ±                               |  |   |  |  |
| FINISH ±                               |  |   |  |  |
| MATERIAL SEE TABLE                     |  | Customer Drawing                        |  |  |

THIS DRAWING IS UNPUBLISHED. RELEASED FOR PUBLICATION  
 © COPYRIGHT 2011 ALL RIGHTS RESERVED.

# PA GF, UL-VO GWEPT 750° C NO FLAME, NATURAL

| LOC |     | DIST        |      | REVISIONS |      |  |  |
|-----|-----|-------------|------|-----------|------|--|--|
| P   | LTR | DESCRIPTION | DATE | DWN       | APVD |  |  |
| -   | -   | SEE SHEET 1 |      |           |      |  |  |

| No. of POS. | CONFIGURATION ONLY FOR REF | ON TRAY     |           | LOOSE PIECES |           | SEE SHEET 1 FOR ADDITIONAL DETAILS AND NOTES |                               |  |        |            |                         |
|-------------|----------------------------|-------------|-----------|--------------|-----------|--|-------------------------------|--|--------|------------|-------------------------|
|             |                            | P/N ASS'Y   | PART REV. | P/N ASS'Y    | PART REV. | POLARIZ. POSITION (BACK SIDE)                | LOCKING POSITION (FRONT SIDE) | SPECIAL CODIFICAT. POSITION (FRONT SIDE) | L (mm) | COLOR CODE | POSSIBLE RAST. POLARIZ. |
| 2           |                            | 2293382-2   | AA        |              |           | 1S<br>2D                                     | 1-2                           | -  | 9.9    |            | 02-B<br>02-E<br>02-F    |
| 2           |                            | 1-2293382-2 | AA        |              |           | 1S<br>2D                                     | 1-2                           |  | 9.9    | GREEN      | 02-B<br>02-E<br>02-F    |
| 2           |                            | 2-2293382-2 | AA        |              |           | 1D<br>2D                                     | 1-2                           | -  | 9.9    |            |                         |
| 2           |                            | 3-2293382-2 | AA        |              |           | 1D<br>2S                                     | 1-2                           | -  | 9.9    | BLUE       | 02-A                    |
| 2           |                            | 4-2293382-2 | AA        |              |           | 1S<br>1D                                     | 1-2                           | -  | 9.9    |            |                         |
| 2           |                            | 5-2293382-2 | AA        |              |           | 1S<br>2D                                     | 1-2                           | -  | 9.9    | GREY       | 02-B<br>02-E<br>02-F    |
| 2           |                            | 6-2293382-2 | AA        |              |           | 1D<br>2S                                     | 1-2                           | -  | 9.9    | -          | 02-A                    |
| 3           |                            | 2293382-3   | AA        |              |           | 2S   | 2-3                           | -  | 14.9   |            |                         |
| 3           |                            | 1-2293382-3 | AA        |              |           | -  | 1-2                           | -  | 14.9   | VIOLET     | -                       |
| 3           |                            | 2-2293382-3 | AA        |              |           | 1D   | 1-2                           | -  | 14.9   | ORANGE     | 03-A<br>03-1            |
| 3           |                            | 3-2293382-3 | AA        |              |           | 1S<br>1D                                     | 1-2                           | -  | 14.9   |            |                         |
| 3           |                            | 4-2293382-3 | AA        |              |           | 1D 2S<br>2D 3S                               | 1-2                           | -  | 14.9   |            |                         |
| 3           |                            | 5-2293382-3 | AA        |              |           | 1S<br>3D                                     | 2-3                           | -  | 14.9   |            |                         |
| 3           |                            | 6-2293382-3 | AA        |              |           | 1S 1D<br>2S 2D                               | 1-2                           | -  | 14.9   |            |                         |
| 3           |                            | 7-2293382-3 | AA        |              |           | 1S<br>3D                                     | 1-2                           | -  | 14.9   | GREEN      | 03-F                    |
| 3           |                            | 8-2293382-3 | AA        |              |           | 2D<br>3D                                     | 2-3                           | -  | 14.9   |            |                         |
| 4           |                            | 2293382-4   | AA        |              |           | 1D   | 1-2<br>3-4                    | 2D                                       | 19.9   | GREY       | 04-A                    |
| 4           |                            | 1-2293382-4 | AA        |              |           | 1S<br>4D                                     | 1-2<br>3-4                    | -  | 19.9   |            |                         |
| 4           |                            | 2-2293382-4 | AA        |              |           | 1D<br>2S                                     | 1-2<br>3-4                    | -  | 19.9   |            |                         |
| 4           |                            | 3-2293382-4 | AA        |              |           | 1D<br>2S<br>3S<br>4S                         | 1-2<br>3-4                    | -  | 19.9   |            |                         |
| 4           |                            | 4-2293382-4 | AA        |              |           | 1D   | 1-2<br>3-4                    | -  | 19.9   |            |                         |

|   |  |  |                               |  |               |
|---|--|--|-------------------------------|--|---------------|
| THIS DRAWING IS A CONTROLLED DOCUMENT.                                      |  | DWN<br>G. ENDRIZZI<br>23 JUL 1995          | <br>TE Connectivity           | NAME                                       |               |
| DIMENSIONS:<br>mm   |  | CHK<br>G. TURCO<br>23 JUL 1995             |                               | MONO-SHAPE MK1<br>TAB CONNECTORS 2-10 POS. |               |
| TOLERANCES UNLESS OTHERWISE SPECIFIED:                                      |  | APVD<br>G. TURCO<br>23 JUL 1995            |                               | SIZE                                       |               |
| 0 PLC ±<br>1 PLC ±<br>2 PLC ±<br>3 PLC ±<br>4 PLC ±<br>ANGLES ±<br>FINISH ± |  | PRODUCT SPEC<br>108-20065-1, 108-20065-2   |                               | CAGE CODE                                  |               |
| MATERIAL<br>SEE TABLE   |  | APPLICATION SPEC<br>114-20016, 114-20016-1 | DRAWING NO<br>A200779C-282002 |  | RESTRICTED TO |
| SEE TABLE   |  | WEIGHT<br>--                               | SCALE                         |  | SHEET 5 OF 6  |
|   |  | Customer Drawing                           |                               | REV AA44                                   |               |

THIS DRAWING IS UNPUBLISHED. RELEASED FOR PUBLICATION  
 © COPYRIGHT 2011 ALL RIGHTS RESERVED.

| LOC |     | DIST        |      | REVISIONS |      |  |  |
|-----|-----|-------------|------|-----------|------|--|--|
| P   | LTR | DESCRIPTION | DATE | DWN       | APVD |  |  |
|     |     | SEE SHEET 1 |      |           |      |  |  |

### PA GF, UL-V0 GWEPT 750° C NO FLAME, NATURAL

| No. of POS. | CONFIGURATION ONLY FOR REF | ON TRAY     |           | LOOSE PIECES |           | SEE SHEET 1 FOR ADDITIONAL DETAILS AND NOTES |                               |  |        |            |                          |
|-------------|----------------------------|-------------|-----------|--------------|-----------|--|-------------------------------|--|--------|------------|--------------------------|
|             |                            | P/N ASS'Y   | PART REV. | P/N ASS'Y    | PART REV. | POLARIZ. POSITION (BACK SIDE)                | LOCKING POSITION (FRONT SIDE) | SPECIAL CODIFICAT. POSITION (FRONT SIDE) | L (mm) | COLOR CODE | POSSIBLE RAST 5 POLARIZ. |
| 5           |                            | 2293382-5   | AA        |              |           | -  | 4-5                           | -  | 24.9   |            |                          |
| 5           |                            | 1-2293382-5 | AA        |              |           | -  | 3-4                           | 3S                                       | 24.9   |            |                          |
| 5           |                            | 2-2293382-5 | AA        |              |           | 1S<br>2D<br>4D<br>5D                         | 1-2<br>4-5                    | -  | 24.9   |            |                          |
| 6           |                            | 2293382-6   | I         |              |           | TBD  | TBD                           | TBD                                      | 29.9   |            |                          |
| 7           |                            | 2293382-7   | I         |              |           | -  | 1-2<br>5-6                    | -  | 34.9   |            |                          |
| 7           |                            | 2-2293382-7 | I         |              |           | 1S 2S 2D<br>3S 3D 4D<br>5S 6S 6D<br>7S 7D    | 1-2<br>5-6                    |  | 34.9   |            |                          |
| 8           |                            | 2293382-8   | I         |              |           | TBD  | TBD                           | TBD                                      | 39.9   |            |                          |
| 9           |                            | 2293382-9   | I         |              |           | TBD  | TBD                           | TBD                                      | 44.9   |            |                          |
| 10          |                            | 1-2293382-0 | I         |              |           | 6D<br>8S                                     | 4-5<br>8-9                    | 6S                                       | 49.9   |            |                          |

10  
10  
10  
10  
10  
10

|   |  |  |   |                       |
|---|--|--|---|-----------------------|
| THIS DRAWING IS A CONTROLLED DOCUMENT.                          |  | DWN<br>G. ENDRIZZI<br>23 JUL 1995          | TE Connectivity<br>MONO-SHAPE MK1<br>TAB CONNECTORS 2-10 POS. |                       |
| DIMENSIONS:<br>mm   |  | CHK<br>G. TURCO<br>23 JUL 1995             |   |                       |
| TOLERANCES UNLESS OTHERWISE SPECIFIED:                          |  | APVD<br>G. TURCO<br>23 JUL 1995            | NAME  |                       |
| 0 PLC ±<br>1 PLC ±<br>2 PLC ±<br>3 PLC ±<br>4 PLC ±<br>ANGLES ± |  | PRODUCT SPEC<br>108-20065-1, 108-20065-2   | RESTRICTED TO   |                       |
| MATERIAL<br>SEE TABLE   |  | APPLICATION SPEC<br>114-20016, 114-20016-1 | SIZE<br>A20779  | CAGE CODE<br>C-282002 |
| FINISH<br>SEE TABLE   |  | WEIGHT<br>-                                | DRAWING NO<br>Customer Drawing                                |                       |
|   |  | SCALE<br>-                                 | SHEET 6 OF 6  |                       |
|   |  |  |   | REV<br>AA44           |

## X-ON Electronics

Largest Supplier of Electrical and Electronic Components

*Click to view similar products for [Headers & Wire Housings](#) category:*

*Click to view products by [TE Connectivity](#) manufacturer:*

Other Similar products are found below :

[892-18-020-10-001101](#) [58102-G61-06LF](#) [582553-1](#) [0009485154](#) [009176003701906](#) [0050291907](#) [LY20-4P-DT1-P1E-BR](#) [02.125.8002.8](#)  
[609-3404](#) [61062-3](#) [61082-181009](#) [622-3653LF](#) [63453-116](#) [636-1030](#) [636-1427](#) [636-3427](#) [636-4007](#) [641938-9](#) [641991-4](#) [644827-2](#) [65817-](#)  
[010LF](#) [65817-015LF](#) [65863-015LF](#) [66207-023LF](#) [67095-007LF](#) [67601157](#) [68645-018](#) [68648-049](#) [70.362.1628.0](#) [70-4210](#) [70-4226B](#) [70-](#)  
[4853B](#) [707-5020](#) [707-5028](#) [71.350.2428.0](#) [71918-208LF](#) [71961-016LF](#) [733-134](#) [733-162](#) [754199-000](#) [760-3052](#) [79531-3000](#) [FCN-](#)  
[360C032-B](#) [FCN-367T-T012/H](#) [FCN-723D010/2](#) [80.063.4001.1](#) [800-90-010-10-002000](#) [801-43-002-10-013000](#) [801-43-006-10-002000](#)  
[801-93-011-10-001000](#)