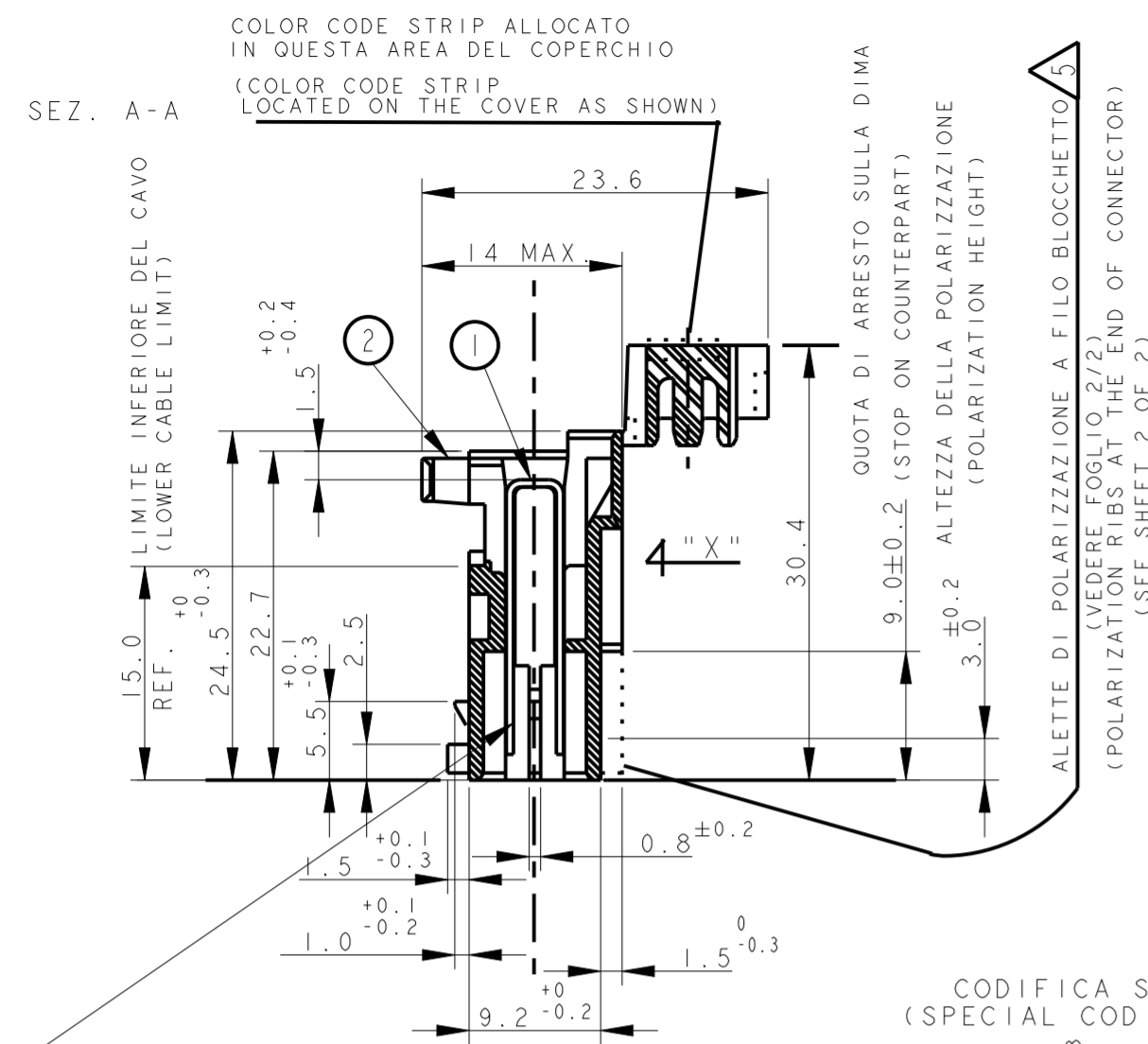
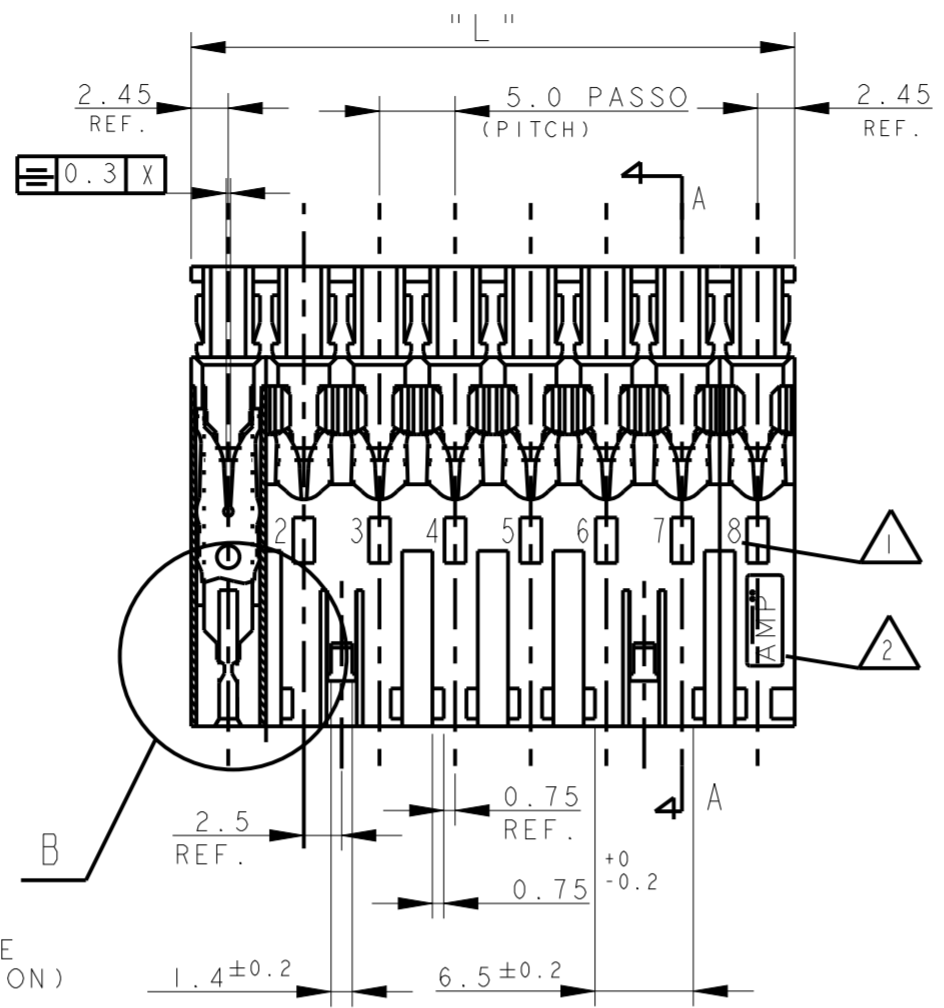


THIS DRAWING IS UNPUBLISHED. RELEASED FOR PUBLICATION  
 (C) COPYRIGHT 2011 ALL RIGHTS RESERVED.

REVISONS		DATE	DWN	APVD
P	LTR	DESCRIPTION		
AA42		REVISED PER ECR-20-100974	23DEC2020	WW FL
AA43		ECR-21-100150	19JAN2021	SM FL

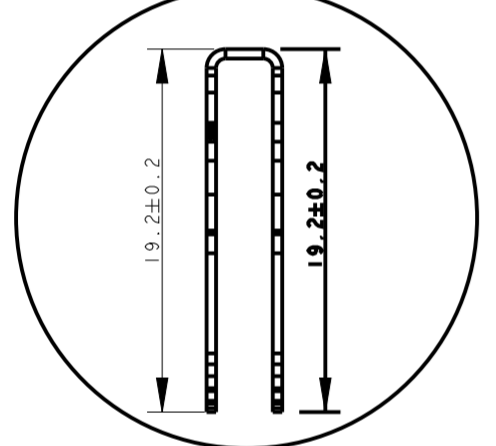


VISTE SOLO PER RIFERIMENTO  
 VIEWS ONLY FOR REFERENCE

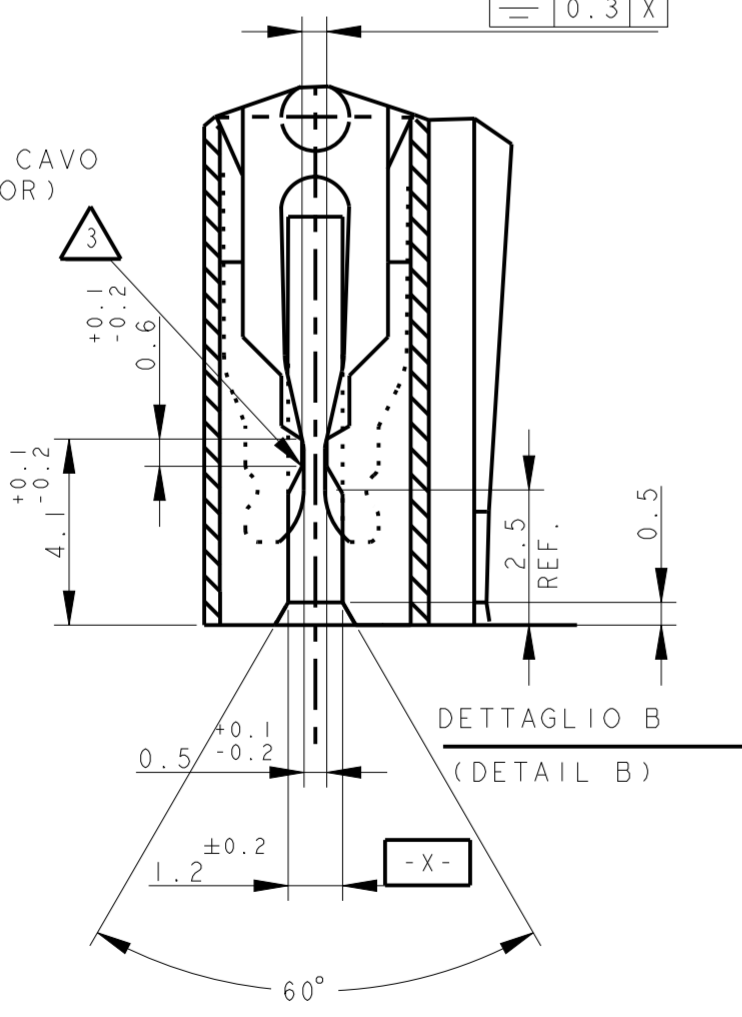
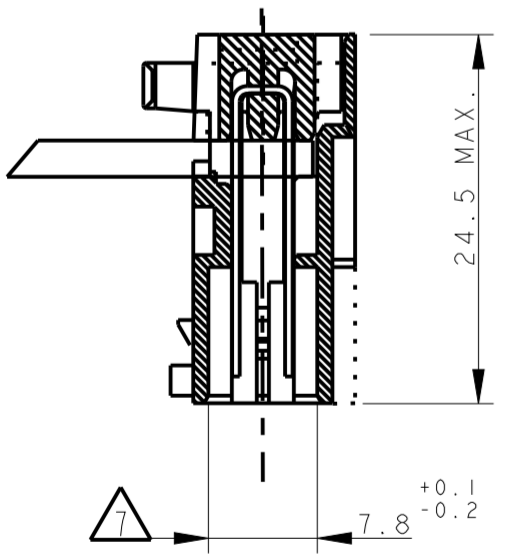


CODIFICA SPECIALE  
 (SPECIAL CODIFICATION)

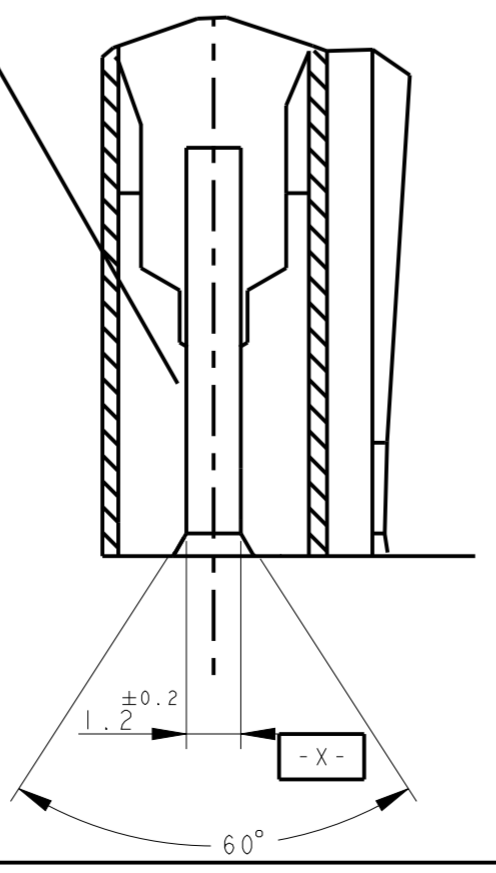
DETTAGLIO DEL CONTATTO. DIMENSIONI RIFERITE AL COMPONENTE INSERITO IN CAVITA' (ENLARGED VIEW OF TAB CONTACT DIM. REFERRED TO CONTACT INSERTED IN THE HOUSING CAVITY)



CONNETTORE COMPLETO DI CAVO (TERMINATED CONNECTOR)



PN X-282002-8  
 PN I-2293382-2  
 (DETAIL "B" FOR CAVITY 1 & 2)



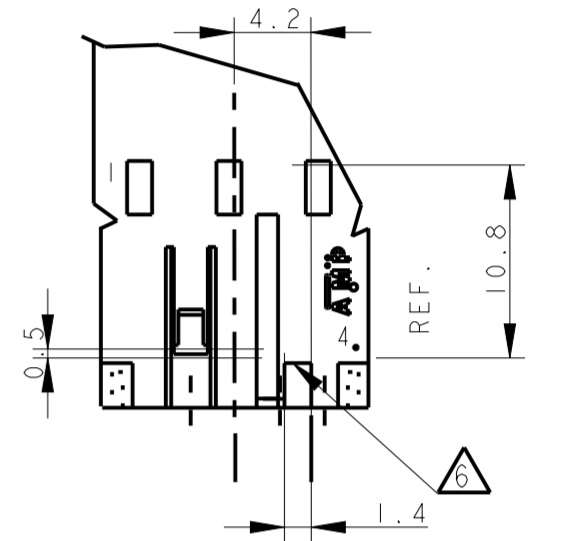
DETAIL PN/s:  
 1-282006-3  
 2-282006-3  
 3-282006-3

POLARIZATION KEYS  
 (VIEW FROM "X")

NOTE/NOTES:

- 1 NUMERI DI IDENTIFICAZIONE CAVITA' (CIRCUIT IDENTIFICATION)
- 2 MARCHIO DI FABBRICA LIBERA POSIZIONE (AMP LOGO FREE POSITION)
- 3 RETENTION TOOTH IS REQUESTED FOR THE 2 AND 3 POS. ONLY
- 4 PERTE PRELIMINARE, NON ANCORA IN PRODUZIONE (PRELIMINARY PART, NOT YET RELEASED FOR PRODUCTION)
- 5 PER QUESTI P/N LA POLARIZZAZIONE POSTERIORE DEVE INTENDERSI COMPLETA, A FINE BLOCCETTO (FOR THE INDICATE P/N THE POLARIZATION MUST BE AT THE END OF CONNECTOR (see sheet 2 of 2.
- 6 CODIFICA CON DIFFERENTE DIMENSIONE (CODIFICATION WITH DIFFERENT DIMENSION).
- 7 BECOMES 6.5 FOR BOTH CAVITIES ON THE 2 POS., ON CAVITY N.1 AND N.3 ON THE 3 POS. AND ON CAVITY N.1 ON THE 4 POS. CONNECTOR
- 8 INCLUDE LA POLARIZZAZIONE DOVE E' ESISTENTE (INCLUDING POLARIZATION KEY, WHEN EXISTING)
- 9 DETAIL FOR PN X-282002-8 AND PN I-2293382-2, SPECIAL VERSION, SEE ALSO NOTE 3
- 10 P/N NON RILASCIATO PER LA PRODUZIONE (P/N NOT YET RELEASED FOR PRODUCTION)
- 11 ---
- 12 GEOMETRIA ALTERNATIVA DEL DENTINO DI AGGANCIAMENTO VEDI NOTA 3 PER ALTRI DETTAGLI (ALTERNATIVE SHAPE FOR RETENTION TOOTH, SEE NOTE 3 FOR ADDITIONAL DETAILS)
- 13 STATO DI FORNITURA: CONFEZIONAMENTO IN "VASSOI + SCATOLA" (PACKAGING: "ON TRAY PLUS CARTON BOX")
- 14 CONFEZIONAMENTO IN BOBINA OBSOLETO (PACKAGING: ON REEL OBSOLETE)
- 15 OBSOLETE PARTS: OBSOLETE CIS STREAMLINING PER D.RENAUD/D.SINISI
- 16 THE DESIRED POLARIZATION CAN BE OBTAINED BY THE TERMINATION MACHINE
- 17 EXCEPTION MADE FOR PN FOR THIS PN CAVITY 1 IS WITHOUT RETENTION TOOTH AND HAS THE SAME DESIGN AS THE CAVITY N.2
- 18 OBSOLETE PART

DETAIL FOR PN 0-282233-2 ONLY



ITEM	DENOMINAZIONE (DESCRIPTION)	FINITURA / COLORE (FINISH / COLOUR)	MATERIALE (MATERIAL)
2	BLOCCETTO (HOUSING)	NATURALE (NATURAL)	PA 6.6 CARICATO VETRO (POLIAMIDE 6.6 GLASSFIBER FILLED)
1	CONTATTO (CONTACT)	STAGNATO (TIN-PLATED)	OTTONE (BRASS)

THIS DRAWING IS A CONTROLLED DOCUMENT.

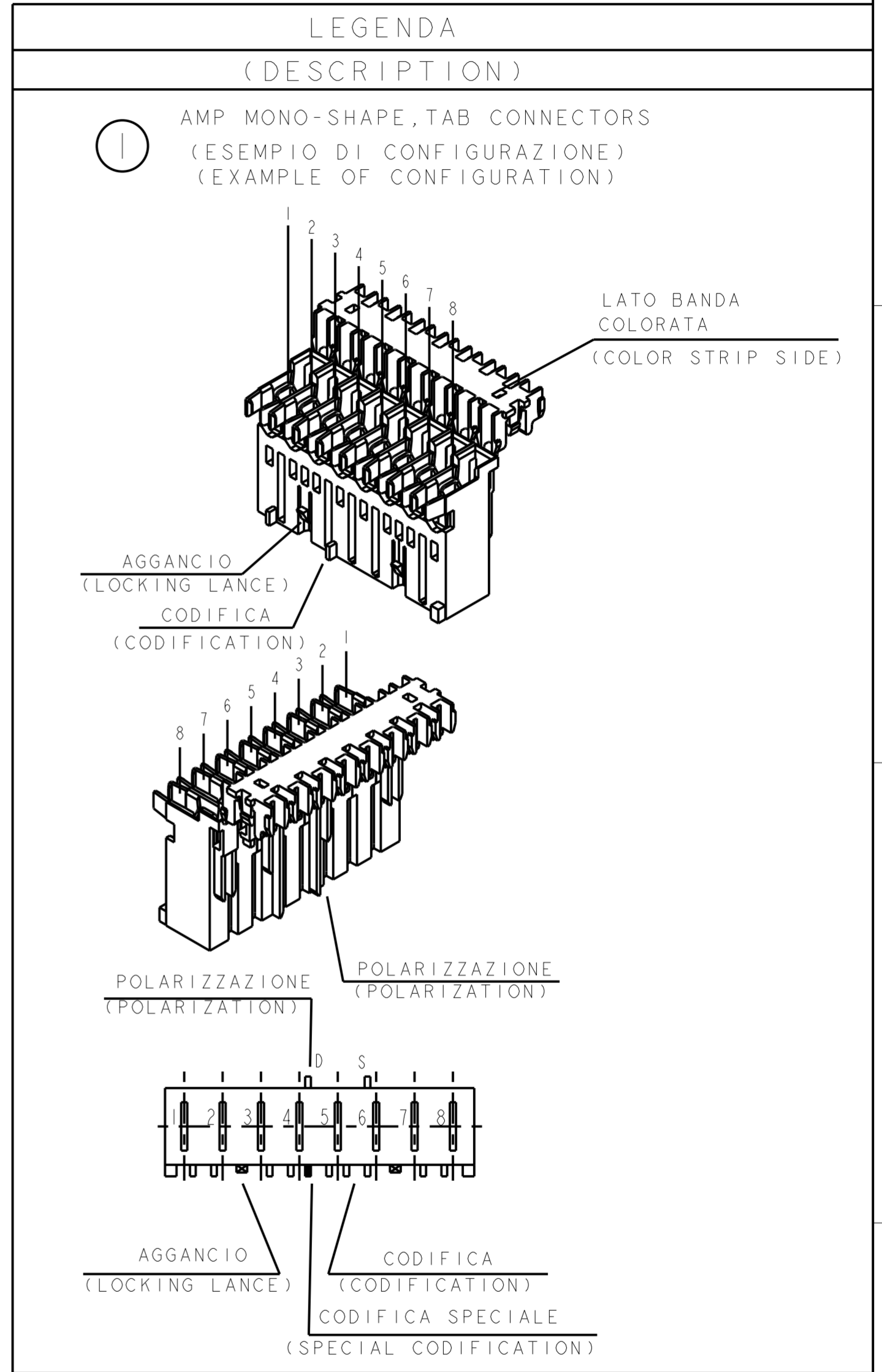
DIMENSIONS: mm	TOLERANCES UNLESS OTHERWISE SPECIFIED: 0.3	DWN G. ENDRIZZI 23 JUL 1995	NAME
MATERIAL: SEE TABLE	FINISH: SEE TABLE	CHK G. TURCO 23 JUL 1995	TE Connectivity
		APVD G. TURCO 23 JUL 1995	MONO-SHAPE MK1 TAB CONNECTORS 2-10 POS.
		PRODUCT SPEC: 108-20065-1, 108-20065-2	SIZE: A20779
		APPLICATION SPEC: 114-20016, 114-20016-1	CAGE CODE: C-282002
		WEIGHT: -	DRAWING NO: -
		Customer Drawing	RESTRICTED TO: -
		SCALE: -	SHEET 1 OF 6
			REV AA43

THIS DRAWING IS UNPUBLISHED. RELEASED FOR PUBLICATION  
 © COPYRIGHT 2011 ALL RIGHTS RESERVED.

LOC		DIST		REVISIONS			
P	LTR	DESCRIPTION	DATE	DWN	APVD		
-	-	SEE SHEET 1					

VISTE SOLO PER RIFERIMENTO  
 VIEWS ONLY FOR REFERENCE

NUMERO DI VIE	CONFIGURAZIONE (Vista connettore dall'alto)	TE PART NUMBER ASSY CONN.				POSIZIONE POLARIZ. (LATO POSTERIORE)	POSIZIONE AGGANCIAMENTO (LATO ANTERIORE)	POSIZIONE CODIFICA SPECIALE (LATO ANTERIORE)	L +0.2 -0.3 (mm)	NOTE MARCHIATURA CON BANDA COLORATA	POSSIBILE RAST 5 POLARIZ.
		VERSIONE PEZZI IN VASSOIO	VERSIONE PEZZI SCIOLTI	TRAY PACKAGING VERSION	PART REV						
NO OF POS	CONFIGURATION (View from top side)	TRAY PACKAGING VERSION	PART REV	LOOSE PIECES PACKAGING VERSION	PART REV	POLARIZ. POSITION (BACK SIDE)	LOCKING POSITION (FRONT SIDE)	SPECIAL COD. POSITION (FRONT SIDE)	L +0.2 -0.3 (mm)	NOTE STRIP COLOUR	POSSIBLE RAST 5 POLARIZ.
2		4-282002-1	AA	-	-	2S	1-2	-	9.9	NERO BLACK	02-C
2		1-282002-1	V	2-282002-1	V	2S	1-2	-	9.9	NERO BLACK	02-C
2		1-282002-2	V	2-282002-2	V	1S	1-2	-	9.9	GRIGIO GREY	02-B 02-E 02-F
2		1-282002-3	V	<del>2-282002-3</del>	V	2D	1-2	-	9.9	ROSSO RED	02-L
2		1-282002-4	V	<del>2-282002-4</del>	V	1D	1-2	-	9.9	BLU BLUE	02-A
2		1-282002-5	V	2-282002-5	V	2S	1-2	-	9.9	NERO BLACK	02-Q
2		3-282002-5	AA	-	-	1D	1-2	-	9.9	NERO BLACK	02-Q
2		1-282002-6	V	2-282002-6	V	-	1-2	-	9.9	NERO BLACK	-
2		1-282002-7	V	<del>2-282002-7</del>	V	-	1-2	-	9.9	-	-
2		1-282002-8	V	<del>2-282002-8</del>	V	1S	1-2	-	9.9	VERDE GREEN	02-B 02-E 02-F
2		2-282002-9	I	-	-	1D	1-2	-	9.9	-	-
2		3-282002-0	I	-	-	2D	1-2	-	9.9	-	-
2		3-282002-4	AA	-	-	1D	1-2	-	9.9	-	02-A
2		5-282002-2	A	-	-	2S	1-2	-	9.9	YELLOW	02-B 02-E 02-F
2		6-282002-0	AA	-	-	1S	1-2	-	9.9	RED	-
3		1-282003-1	V	<del>2-282003-1</del>	V	1D	1-2	-	14.9	ARANCIO ORANGE	03-A 03-I
3		4-282003-1	AA	-	-	1D	1-2	-	14.9	ARANCIO ORANGE	03-A 03-I
3		1-282003-2	V	<del>2-282003-2</del>	V	2D	2-3	-	14.9	BLU BLUE	03-B
3		1-282003-3	V	<del>2-282003-3</del>	V	3D	1-2	-	14.9	VERDE GREEN	03-F
3		1-282003-4	V	<del>2-282003-4</del>	V	3D	2-3	-	14.9	ROSSO RED	03-B
3		1-282003-5	V	2-282003-5	V	2D	2-3	-	14.9	GRIGIO GREY	03-B
3		1-282003-6	V	2-282003-6	V	-	1-2	-	14.9	VIOLA VIOLET	-
3		1-282003-7	V	-	-	2D	2-3	-	14.9	NERO BLACK	03-B
3		3-282003-3	I	-	-	3D	1-2	-	14.9	-	-
3		3-282003-4	I	-	-	1D	1-2	-	14.9	-	-
3		3-282003-5	I	-	-	2D - 3S	1-2	-	14.9	-	-
3		3-282003-6	AA	-	-	1S	1-2	-	14.9	-	-
3		3-282003-2	V	<del>2-282003-2</del>	V	2S	2-3	-	14.9	-	03-D
3		1-284396-1	Z	-	-	1S	1-2	-	14.9	NERO BLACK	-



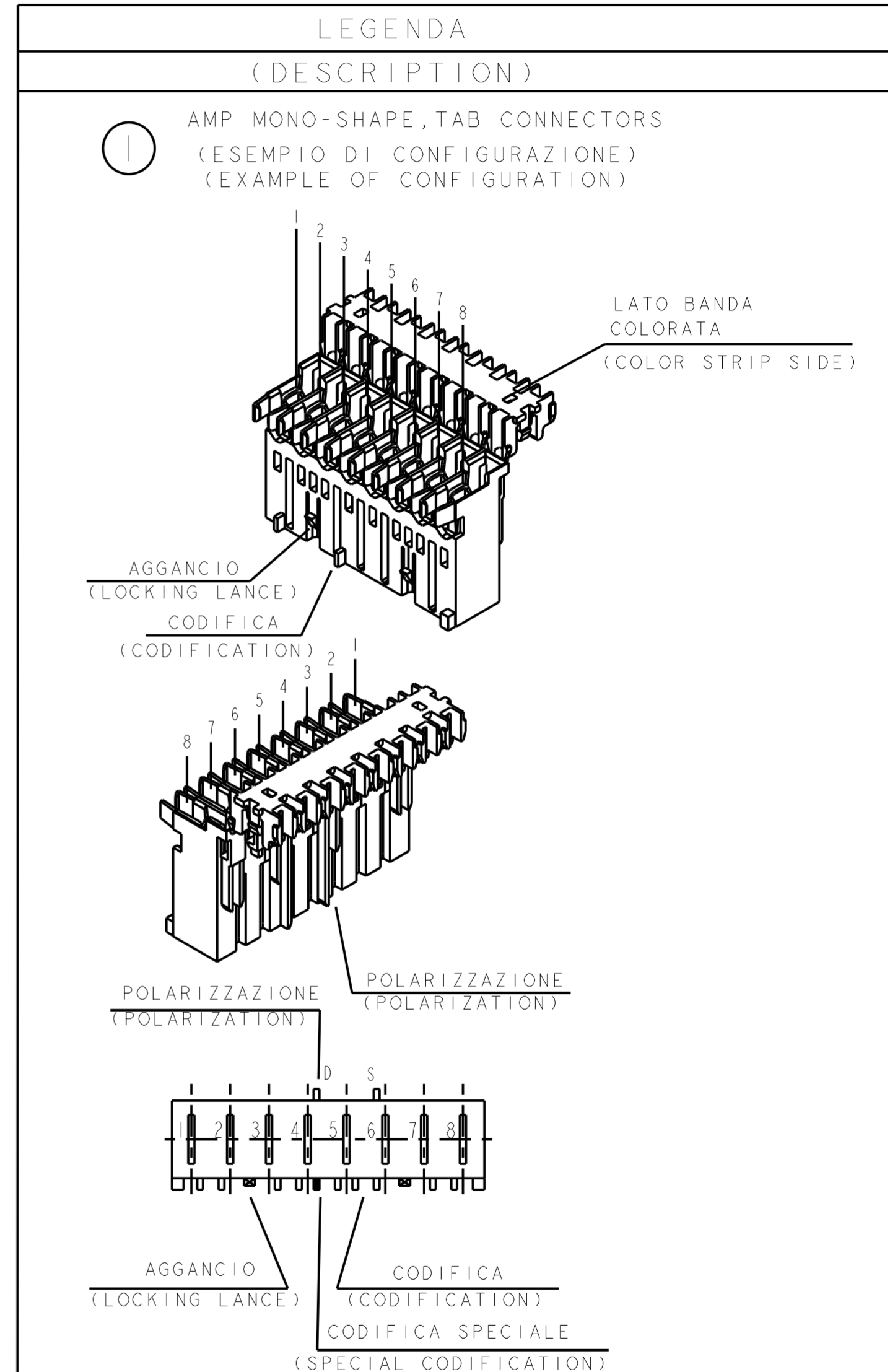
THIS DRAWING IS A CONTROLLED DOCUMENT.		DWN G. ENDRIZZI 23 JUL 1995	TE Connectivity MONO-SHAPE MK1 TAB CONNECTORS 2-10 POS.
DIMENSIONS: mm		CHK G. TURCO 23 JUL 1995	
TOLERANCES UNLESS OTHERWISE SPECIFIED: 0 PLC ± 0.3		APVD G. TURCO 23 JUL 1995	
MATERIAL SEE TABLE		FINISH SEE TABLE	
SEE TABLE		PRODUCT SPEC 108-20065-1, 108-20065-2	NAME
SEE TABLE		APPLICATION SPEC 114-20016, 114-20016-1	SIZE CAGE CODE DRAWING NO
SEE TABLE		WEIGHT	RESTRICTED TO
SEE TABLE		Customer Drawing	SCALE SHEET 2 OF 6 REV AA43

THIS DRAWING IS UNPUBLISHED. RELEASED FOR PUBLICATION  
 © COPYRIGHT 2011 ALL RIGHTS RESERVED.

LOC		DIST		REVISIONS			
P	LTR	DESCRIPTION	DATE	DWN	APVD		
-	-	SEE SHEET 1					

NUMERO DI VIE	CONFIGURAZIONE (Vista connettore dall'alto)	TE PART NUMBER ASSY CONN.		POSIZIONE POLARIZ. (LATO POSTERIORE)	POSIZIONE AGGANCIO (LATO ANTERIORE)	POSIZIONE CODIFICA SPECIALE (LATO ANTERIORE)	L +0.2 / -0.3 (mm)	NOTE MARCHIATURA CON BANDA COLORATA	POSSIBLE RAST 5 POLARIZ.	
		VERSIONE PEZZI IN VASSOIO	VERSIONE PEZZI SCIOLTI							
NO OF POS	CONFIGURATION (View from top side)	TRAY PACKAGING VERSION	PART REV	LOOSE PIECES PACKAGING VERSION	PART REV	POLARIZ. POSITION (BACK SIDE)	LOCKING POSITION (FRONT SIDE)	SPECIAL COD. POSITION (FRONT SIDE)	NOTE STRIP COLOUR	POSSIBLE RAST 5 POLARIZ.
4		1-282004-1	V	<del>2-282004-1</del>	V	1D	1-2	2D	GRIGIO GREY	04-A
4		1-282004-2	V	2-282004-2	V	3D	2-3	-	NERO BLACK	04-D
4		1-282004-3	V	<del>2-282004-3</del>	V	1D	1-2	2D	ROSSO RED	04-A
4		1-282004-4	S	-	-	3D	1-2	-	BLU BLUE	-
4		3-282004-4	AA	-	-	4D	3-4	-	-	-
4		4-282004-4	I	-	-	1S	1-2	-	-	04-A
5		1-282005-1	V	2-282005-1	V	4D	3-4	-	ROSSO RED	-
5		1-284545-1	Z	-	-	2S	4-5	-	ROSSO RED	-
5		1-284545-2	A	-	-	1S	-	3D	-	-
5		1-284545-3	A	-	-	5D	3-4	-	BLU BLUE	-
5		1-293003-5	Z	-	-	-	4-5	-	NERO BLACK	-
6		1-282006-2	V	<del>2-282006-2</del>	V	2S	2-3	-	VIOLO VIOLET	-
6		1-282006-3	V	<del>2-282006-3</del>	V	5D	4-5	-	-	-
6		2-282006-4	V	-	-	4D - 5D	-	5S	NERO BLACK	-
6		1-284745-1	Z	-	-	5D	4-5	-	ROSSO RED	-
6		1-284745-2	I	-	-	6D	-	4D	RED	-
6		1-284745-3	AA	-	-	5D	3-4	-	VIOLET	-
6		1-284745-4	AA	-	-	1S	2-3	-	ORANGE	-
7		1-282007-1	V	<del>2-282007-1</del>	V	1D	1-2	3S	-	-
7		2-282007-2	V	-	-	5D	5-6	-	-	-
7		2-282007-3	I	-	-	4D	-	6S	VIOLO VIOLET	-
7		2-282007-3	I	-	-	6D	-	-	-	-
7		3-282007-2	AA	-	-	1S - 2S - 2D 3S - 3D - 4D 5S - 6S - 6D 7S - 7D	1-2	5S	-	-
7		1-284397-1	Z	-	-	-	1-2	-	NERO BLACK	-
7		1-293004-7	Z	-	-	-	5-6	-	ROSSO RED	-
7		2-293004-7	I	-	-	-	5-6	-	GRIGIO GREY	-
8		0-284085-1	V	<del>2-284085-1</del>	V	2D - 6S	-	4S	-	-
8		0-284085-2	V	<del>2-284085-2</del>	V	4D - 6D	2-3	-	VIOLO VIOLET	-

VISTE SOLO PER RIFERIMENTO  
 VIEWS ONLY FOR REFERENCE



THIS DRAWING IS A CONTROLLED DOCUMENT.		DWN G. ENDRIZZI 23 JUL 1995	 TE Connectivity <b>MONO-SHAPE MK1 TAB CONNECTORS 2-10 POS.</b>													
DIMENSIONS: mm		CHK G. TURCO 23 JUL 1995														
TOLERANCES UNLESS OTHERWISE SPECIFIED:		APVD G. TURCO 23 JUL 1995														
<table border="1"> <tr> <td>0 PLC</td> <td>±</td> <td rowspan="5">} 0.3</td> </tr> <tr> <td>1 PLC</td> <td>±</td> </tr> <tr> <td>2 PLC</td> <td>±</td> </tr> <tr> <td>3 PLC</td> <td>±</td> </tr> <tr> <td>4 PLC</td> <td>±</td> </tr> <tr> <td colspan="2">MATERIAL</td> <td>FINISH</td> </tr> </table>		0 PLC		±	} 0.3	1 PLC	±	2 PLC	±	3 PLC	±	4 PLC	±	MATERIAL		FINISH
0 PLC	±	} 0.3														
1 PLC	±															
2 PLC	±															
3 PLC	±															
4 PLC	±															
MATERIAL		FINISH														
SEE TABLE	SEE TABLE	Customer Drawing	NAME SIZE CAGE CODE DRAWING NO A20779 C-282002 RESTRICTED TO SCALE - SHEET 3 OF 6 REV AA43													

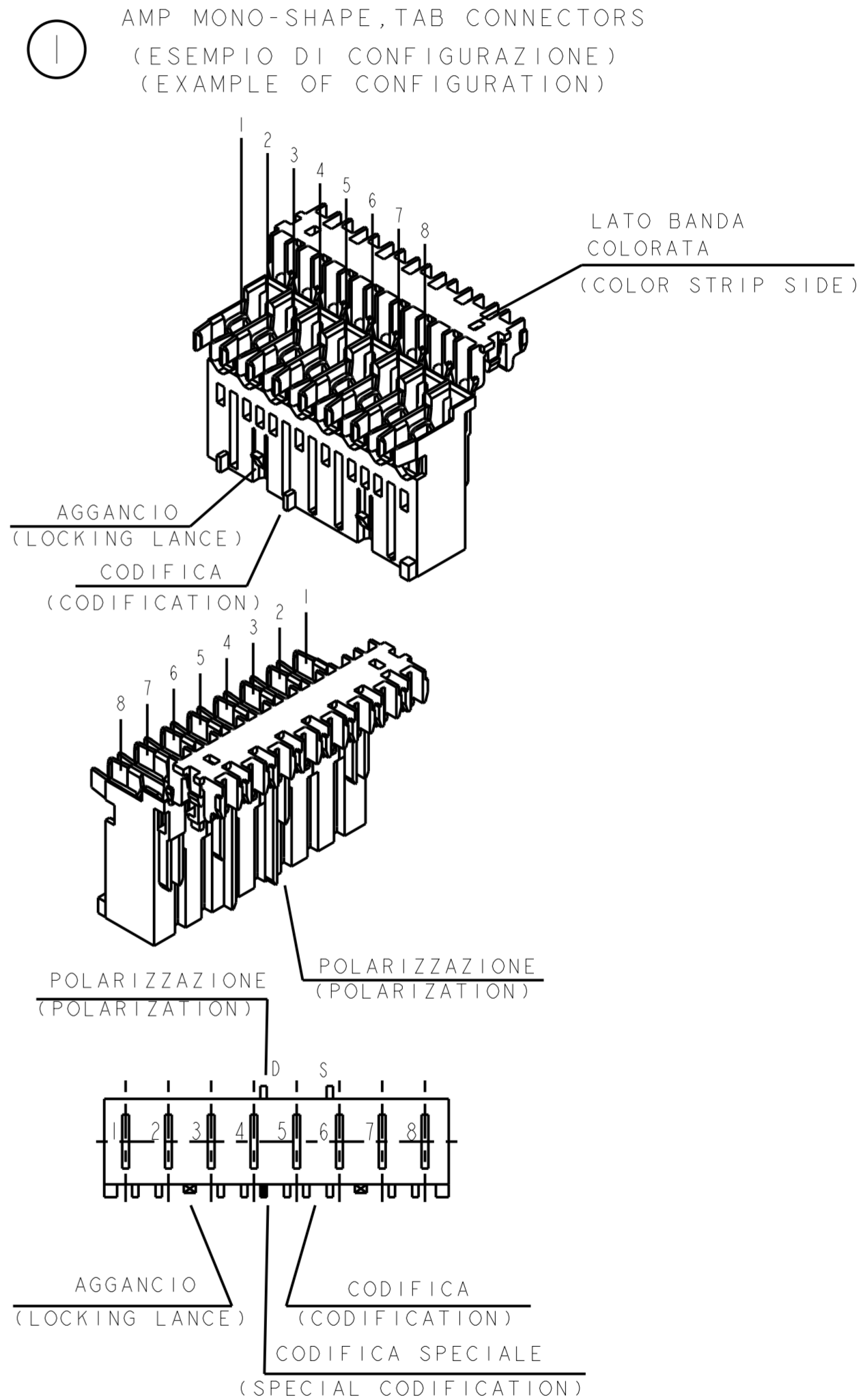
THIS DRAWING IS UNPUBLISHED. RELEASED FOR PUBLICATION  
 © COPYRIGHT 2011 ALL RIGHTS RESERVED.

LOC		DIST		REVISIONS			
P	LTR	DESCRIPTION	DATE	DWN	APVD		
-	-	SEE SHEET 1					

NUMERO DI VIE	CONFIGURAZIONE (Vista connettore dall'alto)	TE PART NUMBER ASSY CONN.				POSIZIONE POLARIZ. (LATO POSTERIORE)	POSIZIONE AGGANCIO (LATO ANTERIORE)	POSIZIONE CODIFICA SPECIALE (LATO ANTERIORE)	L +0.2 / -0.3 (mm)	NOTE MARCHIATURA CON BANDA COLORATA	
		VERSIONE PEZZI IN VASSOIO	PART REV	VERSIONE PEZZI SCIOLTI	PART REV						
10		1-282010-1	V	2-282010-1	V	6D	4-5	6S	49.9	-	-
10		0-284004-1	V	-	-	6D	4-5	6S	49.9	-	-

VISTE SOLO PER RIFERIMENTO  
 VIEWS ONLY FOR REFERENCE

LEGENDA  
 (DESCRIPTION)



THIS DRAWING IS A CONTROLLED DOCUMENT.		DWN G. ENDRIZZI 23 JUL 1995	<b>STE</b> TE Connectivity	
DIMENSIONS: mm		CHK G. TURCO 23 JUL 1995		
TOLERANCES UNLESS OTHERWISE SPECIFIED:		APVD G. TURCO 23 JUL 1995	NAME	
0 PLC ±		PRODUCT SPEC	MONO-SHAPE MK1 TAB CONNECTORS 2-10 POS.	
1 PLC ±		108-20065-1, 108-20065-2	-	
2 PLC ±		APPLICATION SPEC	-	
3 PLC ±		114-20016, 114-20016-1	SIZE	RESTRICTED TO
4 PLC ±		WEIGHT	A20779	-
ANGLES ±		Customer Drawing	CAGE CODE	DRAWING NO
FINISH		SCALE	REV	AA43
SEE TABLE		SEE TABLE	G-282002	4 OF 6

THIS DRAWING IS UNPUBLISHED. RELEASED FOR PUBLICATION  
 © COPYRIGHT 2011 ALL RIGHTS RESERVED.

### PA GF, UL-VO GWEPT 750° C NO FLAME, NATURAL

LOC		DIST		REVISIONS			
P	LTR	DESCRIPTION	DATE	DWN	APVD		
-	-	SEE SHEET 1					

No. of POS.	CONFIGURATION ONLY FOR REF	ON TRAY		LOOSE PIECES		SEE SHEET 1 FOR ADDITIONAL DETAILS AND NOTES					
		P/N ASS'Y	PART REV.	P/N ASS'Y	PART REV.	POLARIZ. POSITION (BACK SIDE)	LOCKING POSITION (FRONT SIDE)	SPECIAL CODIFICAT. POSITION (FRONT SIDE)	L (mm)	COLOR CODE	POSSIBLE RAST POLARIZ.
2		2293382-2	AA			1S 2D	1-2	-	9.9		02-B 02-E 02-F
2		1-2293382-2	AA			1S 2D	1-2		9.9	GREEN	02-B 02-E 02-F
2		2-2293382-2	AA			1D 2D	1-2	-	9.9		
2		3-2293382-2	AA			1D 2S	1-2	-	9.9	BLUE	02-A
2		4-2293382-2	AA			1S 1D	1-2	-	9.9		
2		5-2293382-2	AA			1S 2D	1-2	-	9.9	GREY	02-B 02-E 02-F
2		6-2293382-2	AA			1D 2S	1-2	-	9.9	-	02-A
3		2293382-3	AA			2S	2-3	-	14.9		
3		1-2293382-3	AA			-	1-2	-	14.9	VIOLET	-
3		2-2293382-3	AA			1D	1-2	-	14.9	ORANGE	03-A 03-1
3		3-2293382-3	AA			1S 1D	1-2	-	14.9		
3		4-2293382-3	AA			1D 2S 2D 3S	1-2	-	14.9		
3		5-2293382-3	AA			1S 3D	2-3	-	14.9		
3		6-2293382-3	AA			1S 2S 1D 2D	1-2	-	14.9		
3		7-2293382-3	AA			1S 3D	1-2	-	14.9	GREEN	03-F
3		8-2293382-3	AA			2D 3D	2-3	-	14.9		
4		2293382-4	AA			1D	1-2 3-4	2D	19.9	GREY	04-A
4		1-2293382-4	AA			1S 4D	1-2 3-4	-	19.9		
4		2-2293382-4	AA			1D 2S	1-2 3-4	-	19.9		
4		3-2293382-4	AA			1D 2S 3S 4S	1-2 3-4	-	19.9		

THIS DRAWING IS A CONTROLLED DOCUMENT.		DWN G. ENDRIZZI 23 JUL 1995	TE Connectivity <b>MONO-SHAPE MK1 TAB CONNECTORS 2-10 POS.</b>
DIMENSIONS: mm		CHK G. TURCO 23 JUL 1995	
TOLERANCES UNLESS OTHERWISE SPECIFIED:		APVD G. TURCO 23 JUL 1995	
 0 PLC ± 1 PLC ± 2 PLC ± 3 PLC ± 4 PLC ± ANGLES ± FINISH ±		NAME	
MATERIAL SEE TABLE		PRODUCT SPEC 108-20065-1, 108-20065-2	RESTRICTED TO
SEE TABLE		APPLICATION SPEC 114-20016, 114-20016-1	SIZE A20779
SEE TABLE		WEIGHT --	CAGE CODE C-282002
		Customer Drawing	DRAWING NO C-282002
		SCALE -	SHEET 5 OF 6
			REV AA43

THIS DRAWING IS UNPUBLISHED. RELEASED FOR PUBLICATION  
 © COPYRIGHT 2011 ALL RIGHTS RESERVED.

LOC		DIST		REVISIONS			
P	LTR	DESCRIPTION	DATE	DWN	APVD		
		SEE SHEET 1					

### PA GF, UL-V0 GWEPT 750° C NO FLAME, NATURAL

No. of POS.	CONFIGURATION ONLY FOR REF	ON TRAY		LOOSE PIECES		SEE SHEET 1 FOR ADDITIONAL DETAILS AND NOTES					
		P/N ASS'Y	PART REV.	P/N ASS'Y	PART REV.	POLARIZ. POSITION (BACK SIDE)	LOCKING POSITION (FRONT SIDE)	SPECIAL CODIFICAT. POSITION (FRONT SIDE)	L (mm)	COLOR CODE	POSSIBLE RAST 5 POLARIZ.
5		2293382-5	AA			-	4-5	-	24.9		
5		1-2293382-5	AA			-	3-4	3S	24.9		
5		2-2293382-5	AA			1S 2D 4D 5D	1-2 4-5	-	24.9		
6		2293382-6	I			TBD	TBD	TBD	29.9		
7		2293382-7	I			-	1-2 5-6	-	34.9		
7		2-2293382-7	I			1S 2S 2D 3S 3D 4D 5S 6S 6D 7S 7D	1-2 5-6		34.9		
8		2293382-8	I			TBD	TBD	TBD	39.9		
9		2293382-9	I			TBD	TBD	TBD	44.9		
10		1-2293382-0	I			6D 8S	4-5 8-9	6S	49.9		

10  
10  
10  
10  
10  
10

THIS DRAWING IS A CONTROLLED DOCUMENT.		DWN G. ENDRIZZI 23 JUL 1995	TE Connectivity MONO-SHAPE MK1 TAB CONNECTORS 2-10 POS.	
DIMENSIONS: mm		CHK G. TURCO 23 JUL 1995		
TOLERANCES UNLESS OTHERWISE SPECIFIED:		APVD G. TURCO 23 JUL 1995	NAME	
0 PLC ± 1 PLC ± 2 PLC ± 3 PLC ± 4 PLC ± ANGLES ±		PRODUCT SPEC 108-20065-1, 108-20065-2	RESTRICTED TO	
MATERIAL SEE TABLE		APPLICATION SPEC 114-20016, 114-20016-1	SIZE A20779	CAGE CODE C-282002
FINISH SEE TABLE		WEIGHT -	DRAWING NO Customer Drawing	
		SCALE -	SHEET 6 OF 6	
				REV AA43

## X-ON Electronics

Largest Supplier of Electrical and Electronic Components

*Click to view similar products for [Headers & Wire Housings](#) category:*

*Click to view products by [TE Connectivity](#) manufacturer:*

Other Similar products are found below :

[95000-104TRLF](#) [10135584-644402LF](#) [DF62W-EP2022PCA](#) [95000-106TRLF](#) [DF62W-2022SCA](#) [DF62W-EP2022PC](#) [2203348](#) [DF62W-2022SC](#) [1084018](#) [1029039](#) [1084017](#) [802-10-012-10-002000](#) [1112640](#) [1112639](#) [000-34000](#) [0009482033](#) [0009507031](#) [57102-S06-03LF](#) [57202-S52-04LF](#) [PCN6-15S-2.5E](#) [0039019024](#) [58102-G61-06LF](#) [582553-1](#) [0009508121](#) [0050291907](#) [018731A](#) [LY20-4P-DT1-P1E-BR](#) [02.125.8002.8](#) [60101931](#) [60598-1 \(Cut Strip\)](#) [M1625-3R/100](#) [61062-3](#) [61082-181009](#) [636-1427](#) [638009-1](#) [641938-9](#) [641991-4](#) [644168-1](#) [647662-1](#) [65039-019ELF](#) [65817-002LF](#) [65817-015LF](#) [65863-015LF](#) [66207-023LF](#) [67016-026LF](#) [67046-001LF](#) [67095-007LF](#) [68002-116](#) [68016-236H](#) [68648-049](#)