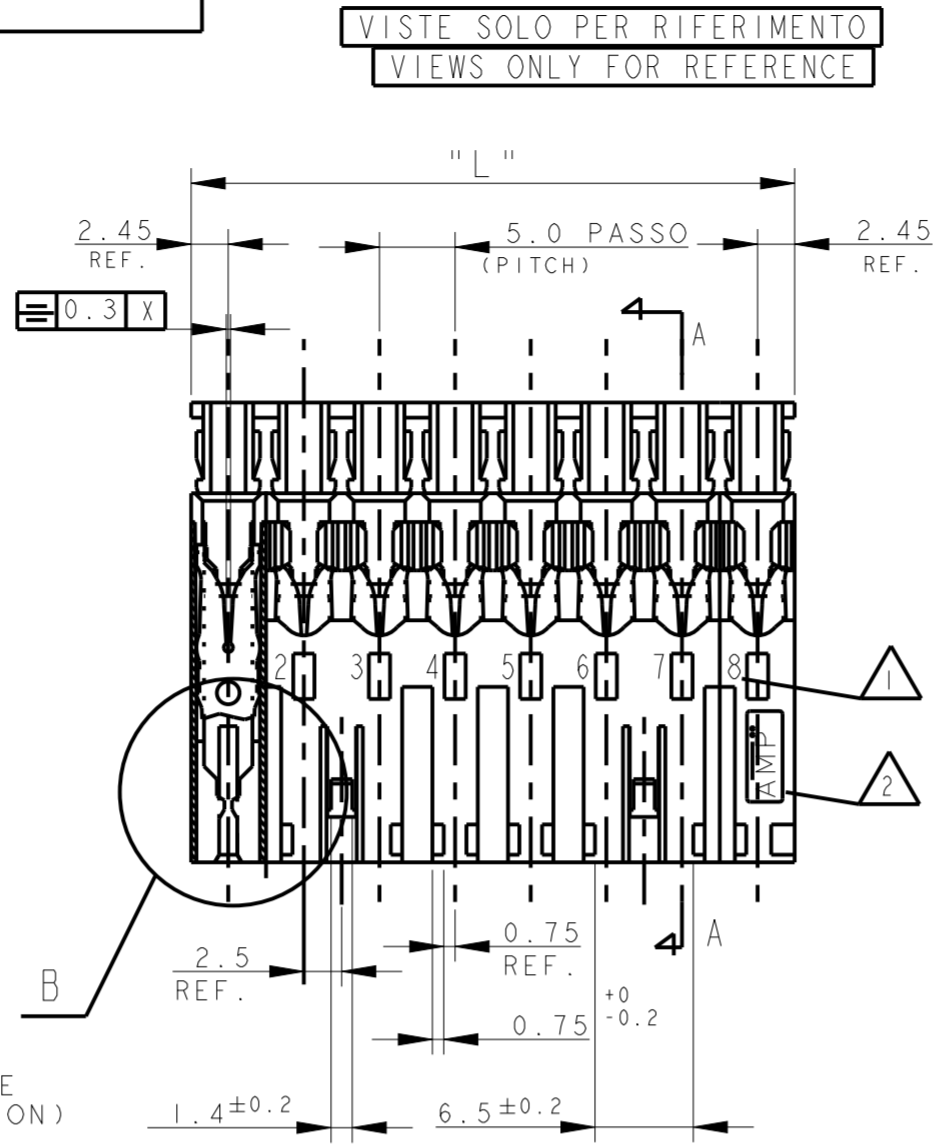
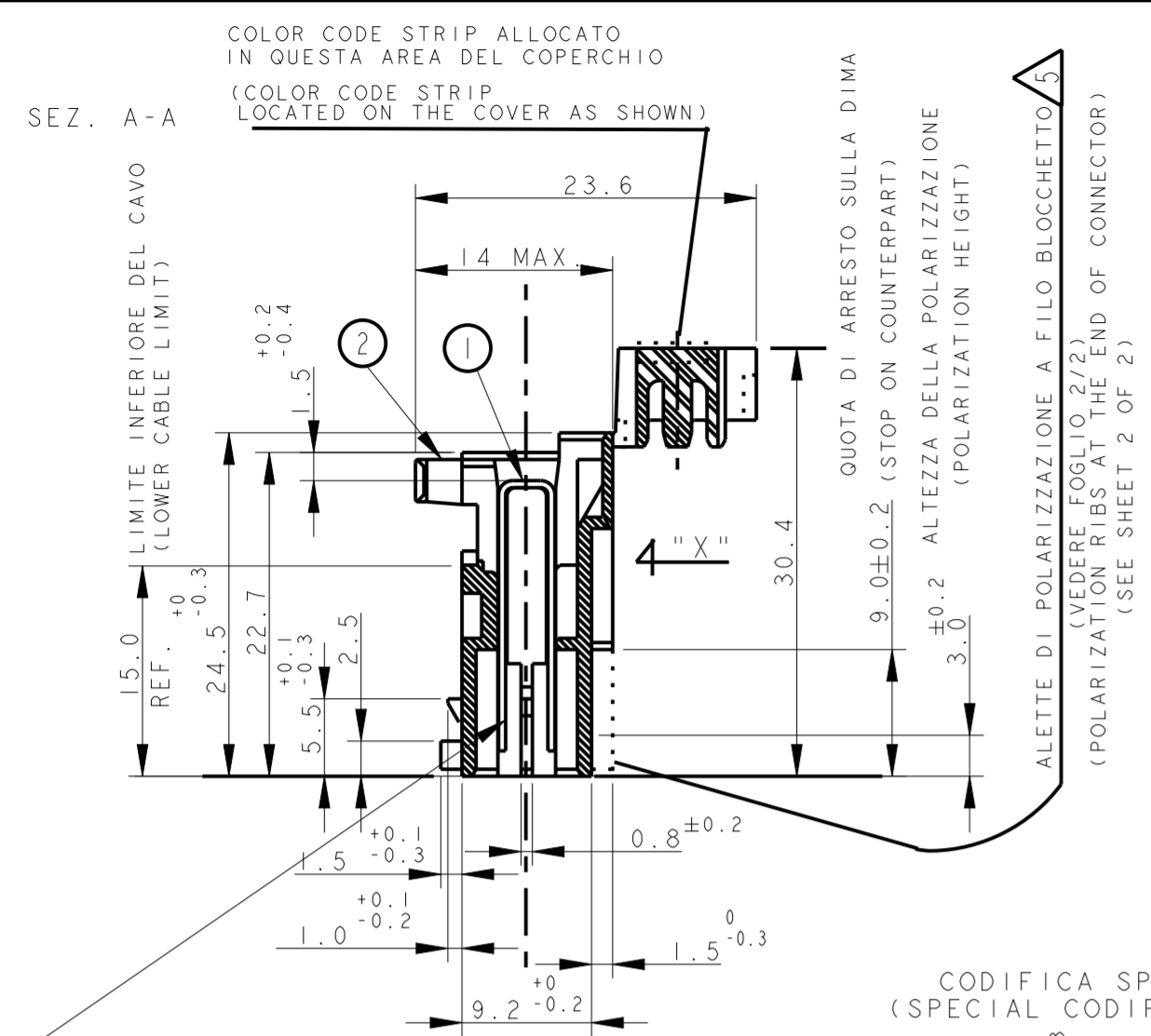
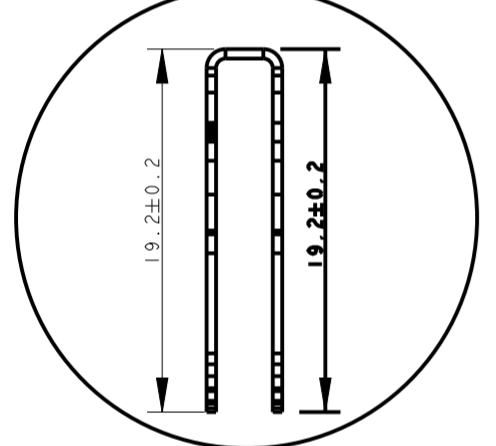


THIS DRAWING IS UNPUBLISHED. RELEASED FOR PUBLICATION
 (C) COPYRIGHT 2011 ALL RIGHTS RESERVED.

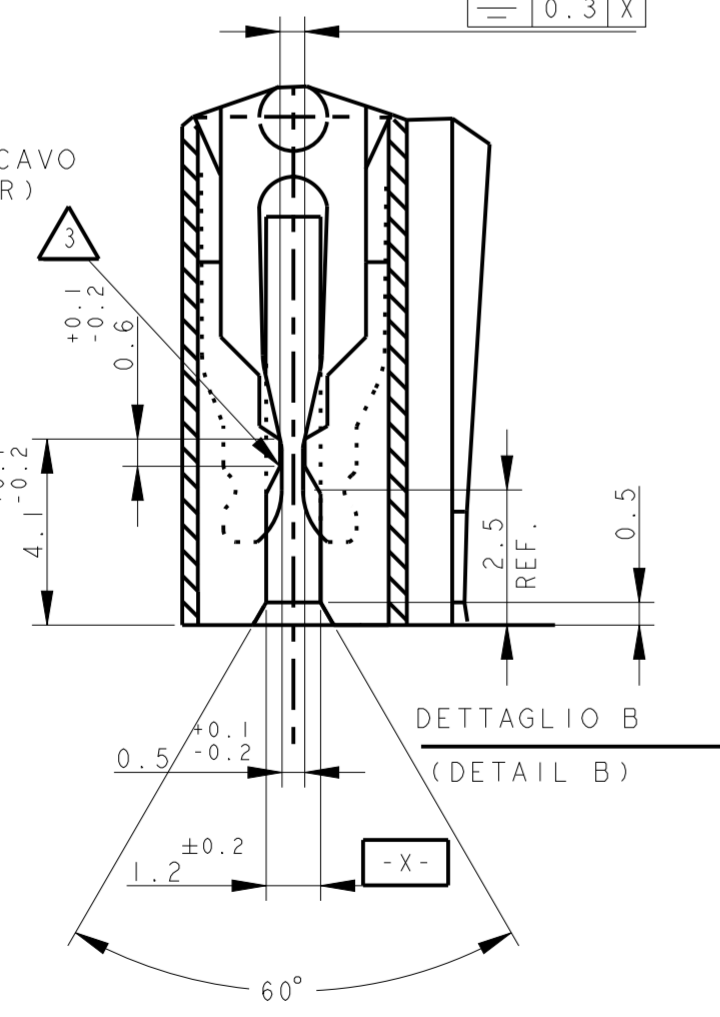
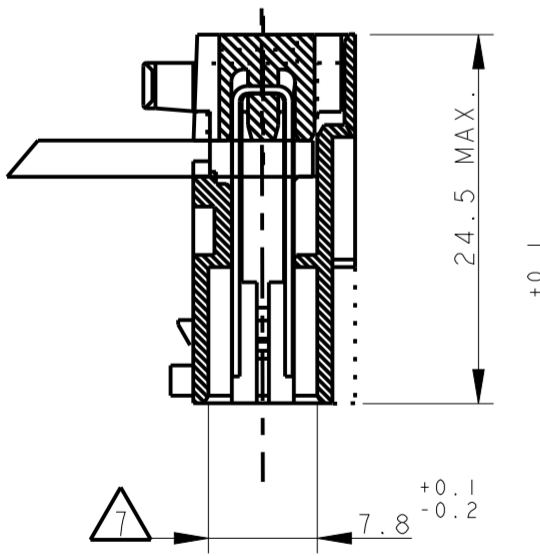
REVISONS		DATE	DWN	APVD
P	LTR	DESCRIPTION		
AA43	ECR-21-100150	19JAN2021	SM	FL
AA44	ECR-21-101190	26MAR2021	SM	FL



DETTAGLIO DEL CONTATTO. DIMENSIONI RIFERITE AL COMPONENTE INSERITO IN CAVITA' (ENLARGED VIEW OF TAB CONTACT DIM. REFERRED TO CONTACT INSERTED IN THE HOUSING CAVITY)



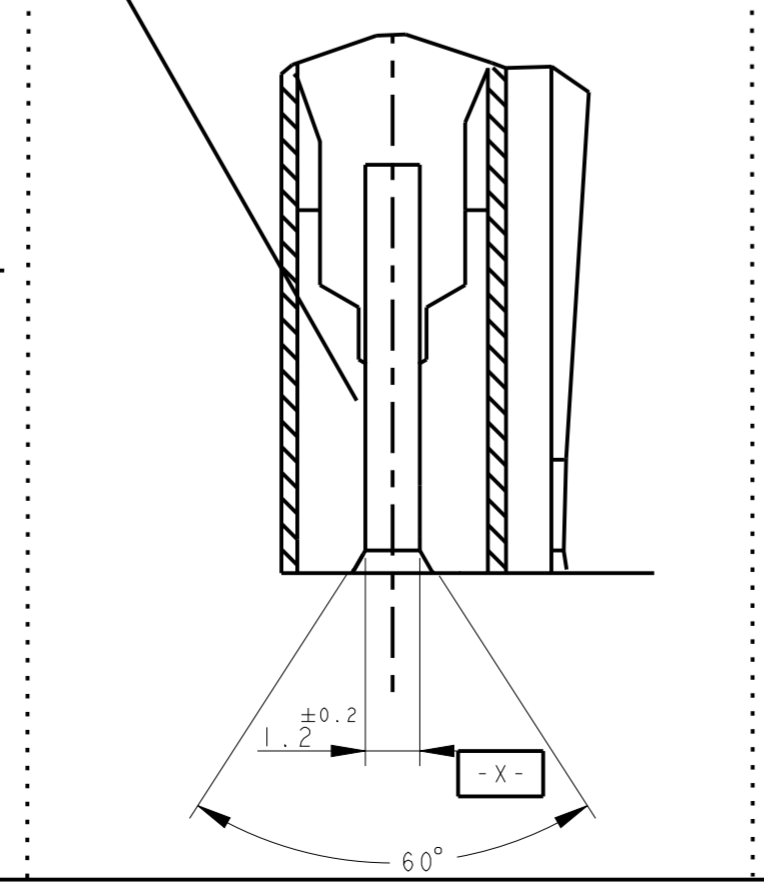
CONNETTORE COMPLETO DI CAVO (TERMINATED CONNECTOR)



DETAIL PN/s:
 1-282006-3
 2-282006-3
 3-282006-3

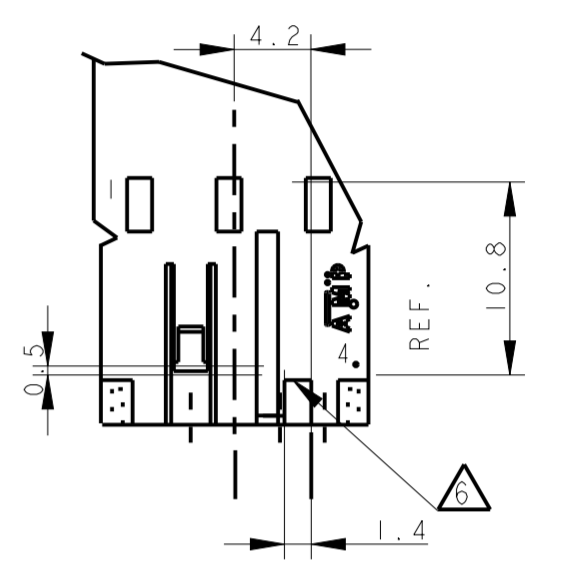
POLARIZATION KEYS (VIEW FROM "X")

PN X-282002-8
 PN I-2293382-2
 (DETAIL "B" FOR CAVITY 1 & 2)



- NOTE/NOTES:
- 1 NUMERI DI IDENTIFICAZIONE CAVITA' (CIRCUIT IDENTIFICATION)
 - 2 MARCHIO DI FABBRICA LIBERA POSIZIONE (AMP LOGO FREE POSITION)
 - 3 RETENTION TOOTH IS REQUESTED FOR THE 2 AND 3 POS. ONLY
 - 4 PERTE PRELIMINARE, NON ANCORA IN PRODUZIONE (PRELIMINARY PART, NOT YET RELEASED FOR PRODUCTION)
 - 5 PER QUESTI P/N LA POLARIZZAZIONE POSTERIORE DEVE INTENDERSI COMPLETA, A FINE BLOCCETTO (per la rappresentazione vedere foglio 1/2) (FOR THE INDICATE P/N THE POLARIZATION MUST BE AT THE END OF CONNECTOR (see sheet 2 of 2.
 - 6 CODIFICA CON DIFFERENTE DIMENSIONE (CODIFICATION WITH DIFFERENT DIMENSION).
 - 7 BECOMES 6.5 FOR BOTH CAVITIES ON THE 2 POS., ON CAVITY N.1 AND N.3 ON THE 3 POS. AND ON CAVITY N.1 ON THE 4 POS. CONNECTOR
 - 8 INCLUDE LA POLARIZZAZIONE DOVE E' ESISTENTE (INCLUDING POLARIZATION KEY, WHEN EXISTING)
 - 9 DETAIL FOR PN X-282002-8 AND PN I-2293382-2, SPECIAL VERSION, SEE ALSO NOTE 3
 - 10 P/N NON RILASCIATO PER LA PRODUZIONE (P/N NOT YET RELEASED FOR PRODUCTION)
 - 11 ---
 - 12 GEOMETRIA ALTERNATIVA DEL DENTINO DI AGGANCIAMENTO VEDI NOTA 3 PER ALTRI DETTAGLI (ALTERNATIVE SHAPE FOR RETENTION TOOTH, SEE NOTE 3 FOR ADDITIONAL DETAILS)
 - 13 STATO DI FORNITURA: CONFEZIONAMENTO IN "VASSOI + SCATOLA" (PACKAGING: "ON TRAY PLUS CARTON BOX")
 - 14 CONFEZIONAMENTO IN BOBINA OBSOLETO (PACKAGING: ON REEL OBSOLETE)
 - 15 OBSOLETE PARTS: OBSOLETE CIS STREAMLINING PER D.RENAUD/D.SINISI
 - 16 THE DESIRED POLARIZATION CAN BE OBTAINED BY THE TERMINATION MACHINE
 - 17 EXCEPTION MADE FOR PN FOR THIS PN CAVITY 1 IS WITHOUT RETENTION TOOTH AND HAS THE SAME DESIGN AS THE CAVITY N.2
 - 18 OBSOLETE PART

DETAIL FOR PN 0-282233-2 ONLY



ITEM	DENOMINAZIONE (DESCRIPTION)	FINITURA / COLORE (FINISH / COLOUR)	MATERIALE (MATERIAL)
2	BLOCCETTO (HOUSING)	NATURALE (NATURAL)	PA 6.6 CARICATO VETRO (POLIAMIDE 6.6 GLASSFIBER FILLED)
1	CONTATTO (CONTACT)	STAGNATO (TIN-PLATED)	OTTONE (BRASS)

DIAM. ISOLANTE (INS. DIA. RANGE): 3,0 max.
 RANGO FILO (WIRE RANGE): 0.5-1.5mm2

THIS DRAWING IS A CONTROLLED DOCUMENT.

DWN: G. ENDRIZZI 23 JUL 1995
 CHK: G. TURCO 23 JUL 1995
 APVD: G. TURCO 23 JUL 1995

STE TE Connectivity

MONO-SHAPE MK1
 TAB CONNECTORS 2-10 POS.

SIZE: A2 CAGE CODE: 0779 DRAWING NO: C-282002 RESTRICTED TO: -

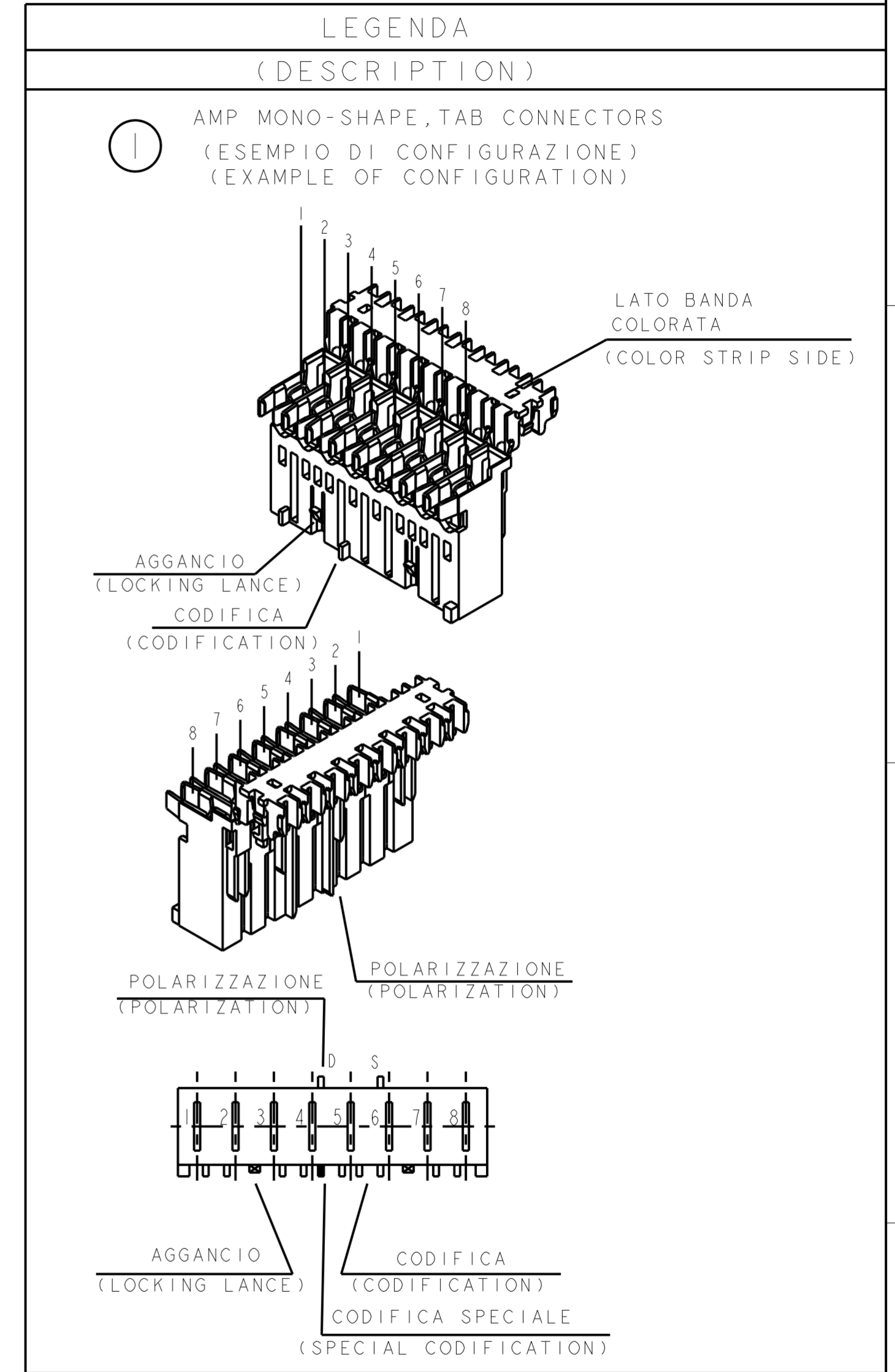
Customer Drawing SCALE: - SHEET 1 OF 6 REV: AA44

THIS DRAWING IS UNPUBLISHED. RELEASED FOR PUBLICATION
 © COPYRIGHT 2011 ALL RIGHTS RESERVED.

LOC		DIST		REVISIONS			
P	LTR	DESCRIPTION	DATE	DWN	APVD		
-	-	SEE SHEET 1					

VISTE SOLO PER RIFERIMENTO
 VIEWS ONLY FOR REFERENCE

NUMERO DI VIE	CONFIGURAZIONE (Vista connettore dall'alto)	TE PART NUMBER ASSY CONN.				POSIZIONE POLARIZ. (LATO POSTERIORE)	POSIZIONE AGGANCIO (LATO ANTERIORE)	POSIZIONE CODIFICA SPECIALE (LATO ANTERIORE)	L +0.2 -0.3 (mm)	NOTE MARCHIATURA CON BANDA COLORATA	POSSIBILE RAST 5 POLARIZ.
		VERSIONE PEZZI IN VASSOIO	VERSIONE PEZZI SCIOLTI	TRAY PACKAGING VERSION	PART REV						
NO OF POS	CONFIGURATION (View from top side)	TRAY PACKAGING VERSION	PART REV	LOOSE PIECES PACKAGING VERSION	PART REV	POLARIZ. POSITION (BACK SIDE)	LOCKING POSITION (FRONT SIDE)	SPECIAL COD. POSITION (FRONT SIDE)	L +0.2 -0.3 (mm)	NOTE STRIP COLOUR	POSSIBLE RAST 5 POLARIZ.
2		4-282002-1	AA	-	-	2S	1-2	-	9.9	NERO BLACK	02-C
2		1-282002-1	V	2-282002-1	V	2S	1-2	-	9.9	NERO BLACK	02-C
2		1-282002-2	V	2-282002-2	V	1S	1-2	-	9.9	GRIGIO GREY	02-B 02-E 02-F
2		1-282002-3	V	2-282002-3	V	2D	1-2	-	9.9	ROSSO RED	02-L
2		1-282002-4	V	2-282002-4	V	1D	1-2	-	9.9	BLU BLUE	02-A
2		1-282002-5	V	2-282002-5	V	2S	1-2	-	9.9	NERO BLACK	02-Q
2		3-282002-5	AA	-	-	1D	1-2	-	9.9	NERO BLACK	02-Q
2		1-282002-6	V	2-282002-6	V	-	1-2	-	9.9	NERO BLACK	-
2		1-282002-7	V	2-282002-7	V	-	1-2	-	9.9	-	-
2		1-282002-8	V	2-282002-8	V	1S	1-2	-	9.9	VERDE GREEN	02-B 02-E 02-F
2		2-282002-9	I	-	-	1D	1-2	-	9.9	-	-
2		3-282002-0	I	-	-	2D	1-2	-	9.9	-	-
2		3-282002-4	AA	-	-	1S	1-2	-	9.9	-	-
2		3-282002-4	AA	-	-	1D	1-2	-	9.9	-	02-A
2		5-282002-2	A	-	-	2S	1-2	-	9.9	YELLOW	02-B 02-E 02-F
2		6-282002-0	AA	-	-	1S	1-2	-	9.9	RED	-
3		1-282003-1	V	2-282003-1	V	2S	1-2	-	14.9	ARANCIO ORANGE	03-A 03-I
3		4-282003-1	AA	-	-	1D	1-2	-	14.9	ARANCIO ORANGE	03-A 03-I
3		1-282003-2	V	2-282003-2	V	2D	2-3	-	14.9	BLU BLUE	03-B
3		1-282003-3	V	2-282003-3	V	3D	1-2	-	14.9	VERDE GREEN	03-F
3		1-282003-4	V	2-282003-4	V	3D	2-3	-	14.9	ROSSO RED	03-B
3		1-282003-5	V	2-282003-5	V	2D	2-3	-	14.9	GRIGIO GREY	03-B
3		1-282003-6	V	2-282003-6	V	3D	1-2	-	14.9	VIOLA VIOLET	-
3		1-282003-7	V	-	-	2D	2-3	-	14.9	NERO BLACK	03-B
3		3-282003-3	I	-	-	3D	1-2	-	14.9	-	-
3		3-282003-4	I	-	-	1D	1-2	-	14.9	-	-
3		3-282003-5	I	-	-	2D - 3S	1-2	-	14.9	-	-
3		3-282003-5	I	-	-	1S	2-3	-	14.9	-	-
3		3-282003-6	AA	-	-	3D	1-2	-	14.9	-	-
3		3-282003-6	AA	-	-	1S - 1D 2S - 2D	1-2	-	14.9	-	-
3		2-282233-2	V	2-282233-2	V	1S	1-2	-	14.9	-	03-D
3		1-284396-1	Z	-	-	2S	2-3	-	14.9	NERO BLACK	-



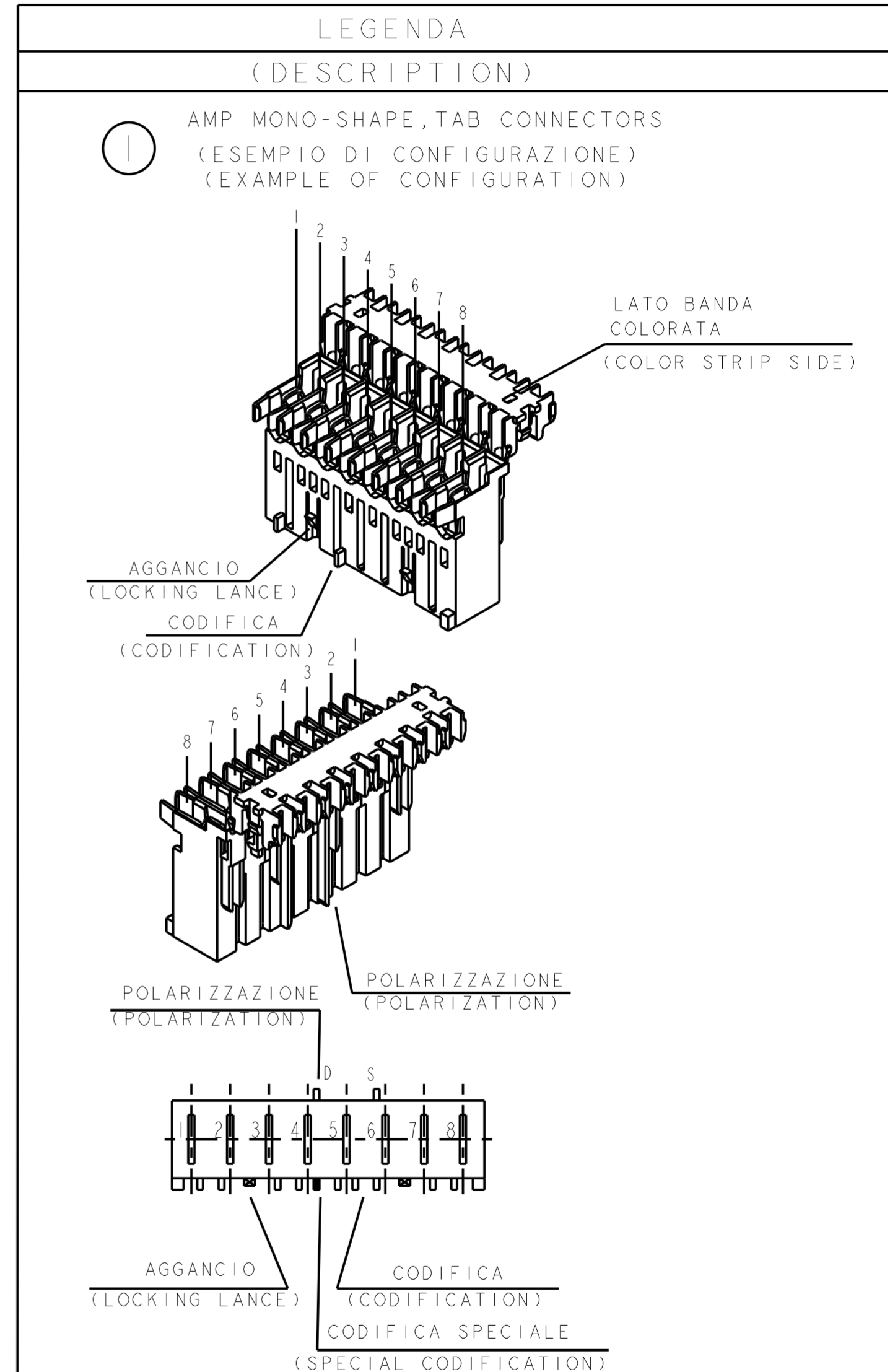
THIS DRAWING IS A CONTROLLED DOCUMENT.		DWN G. ENDRIZZI 23 JUL 1995	 TE Connectivity
DIMENSIONS: mm		CHK G. TURCO 23 JUL 1995	
TOLERANCES UNLESS OTHERWISE SPECIFIED:		APVD G. TURCO 23 JUL 1995	NAME
0 PLC ± 1 PLC ± 2 PLC ± 3 PLC ± 4 PLC ± ANGLES ±		PRODUCT SPEC 108-20065-1, 108-20065-2	MONO-SHAPE MK1 TAB CONNECTORS 2-10 POS.
MATERIAL		APPLICATION SPEC 114-20016, 114-20016-1	RESTRICTED TO
SEE TABLE	SEE TABLE	WEIGHT	SIZE CAGE CODE DRAWING NO
Customer Drawing		SCALE	A20779C-282002
SHEET 2 OF 6		REV AA44	

THIS DRAWING IS UNPUBLISHED. RELEASED FOR PUBLICATION
 © COPYRIGHT 2011 ALL RIGHTS RESERVED.

LOC		DIST		REVISIONS			
P	LTR	DESCRIPTION	DATE	DWN	APVD		
-	-	SEE SHEET 1					

NUMERO DI VIE	CONFIGURAZIONE (Vista connettore dall'alto)	TE PART NUMBER ASSY CONN.		POSIZIONE POLARIZ. (LATO POSTERIORE)	POSIZIONE AGGANCIO (LATO ANTERIORE)	POSIZIONE CODIFICA SPECIALE (LATO ANTERIORE)	L +0.2 -0.3 (mm)	NOTE MARCHIATURA CON BANDA COLORATA	POSSIBLE RAST 5 POLARIZ.		
		VERSIONE PEZZI IN VASSOIO	VERSIONE PEZZI SCIOLTI								
NO OF POS	CONFIGURATION (View from top side)	TRAY PACKAGING VERSION	PART REV	LOOSE PIECES PACKAGING VERSION	PART REV	POLARIZ. POSITION (BACK SIDE)	LOCKING POSITION (FRONT SIDE)	SPECIAL COD. POSITION (FRONT SIDE)	L +0.2 -0.3 (mm)	NOTE STRIP COLOUR	POSSIBLE RAST 5 POLARIZ.
4		1-282004-1	V	2-282004-1	V	1D Δ_5	1-2	2D	19.9	GRIGIO GREY	04-A
4		1-282004-2	V	2-282004-2	V	3D Δ_5	2-3	-	19.9	NERO BLACK	04-D
4		1-282004-3	V	2-282004-3	V	1D Δ_5	1-2	2D	19.9	ROSSO RED	04-A
4		1-282004-4	S	-	-	3D	1-2	-	19.9	BLU BLUE	-
4		3-282004-4	AA	-	-	4D	3-4	-	19.9	-	04-A
4		4-282004-4	I	-	-	1S	1-2	-	19.9	-	-
5		1-282005-1	V	2-282005-1	V	4D Δ_5	4-5	-	24.9	ROSSO RED	-
5		1-284545-1	Z	-	-	2S Δ_5	4-5	-	24.9	ROSSO RED	-
5		1-284545-2	A	-	-	1S	-	3D	24.9	-	-
5		1-284545-3	A	-	-	5D	3-4	-	24.9	BLU BLUE	-
5		1-293003-5	Z	-	-	1S	1-2	-	24.9	BLU BLUE	-
5		1-293003-5	Z	-	-	5D	3-4	-	24.9	NERO BLACK	-
6		1-282006-2	V	2-282006-2	V	2S	2-3	-	29.9	VIOLA VIOLET	-
6		1-282006-3	V	2-282006-3	V	5D	4-5	-	29.9	-	-
6		2-282006-4	V	-	-	2S - 3D	4-5	-	29.9	-	-
6		2-282006-4	V	-	-	4D - 5D	-	5S	29.9	NERO BLACK	-
6		1-284745-1	Z	-	-	3D	-	-	29.9	NERO BLACK	-
6		1-284745-1	Z	-	-	5D	4-5	-	29.9	ROSSO RED	-
6		1-284745-2	I	-	-	6D Δ_5	4-5	-	29.9	ROSSO RED	-
6		1-284745-2	I	-	-	6D Δ_5	-	4D	29.9	RED	-
6		1-284745-3	AA	-	-	5D Δ_5	3-4	-	29.9	VIOLET	-
6		1-284745-3	AA	-	-	5D Δ_5	3-4	-	29.9	VIOLET	-
6		1-284745-4	AA	-	-	1S Δ_5	2-3	-	29.9	ORANGE	-
7		1-282007-1	V	2-282007-1	V	1D Δ_5	1-2	3S	34.9	-	-
7		2-282007-2	V	-	-	5D	5-6	-	34.9	-	-
7		2-282007-2	V	-	-	4D	-	6S	34.9	VIOLA VIOLET	-
7		2-282007-3	I	-	-	6D	-	-	34.9	VIOLA VIOLET	-
7		2-282007-3	I	-	-	1S - 2S - 2D 3S - 3D - 4D 5S - 6S - 6D 7S - 7D	1-2	-	34.9	-	-
7		3-282007-2	AA	-	-	-	1-2	5S	34.9	-	-
7		1-284397-1	Z	-	-	-	1-2	-	34.9	NERO BLACK	-
7		1-284397-1	Z	-	-	2D	1-2	-	34.9	NERO BLACK	-
7		1-293004-7	Z	-	-	-	1-2	-	34.9	ROSSO RED	-
7		1-293004-7	Z	-	-	-	1-2	-	34.9	ROSSO RED	-
7		2-293004-7	I	-	-	-	1-2	-	34.9	GRIGIO GREY	-
7		2-293004-7	I	-	-	-	1-2	-	34.9	GRIGIO GREY	-
8		0-284085-1	V	2-284085-1	V	2D - 6S	-	4S	39.9	-	-
8		0-284085-1	V	2-284085-1	V	4D - 6D	-	-	39.9	-	-
8		0-284085-2	V	2-284085-2	V	-	2-3	-	39.9	VIOLA VIOLET	-

VISTE SOLO PER RIFERIMENTO
 VIEWS ONLY FOR REFERENCE



THIS DRAWING IS A CONTROLLED DOCUMENT.		DWN G. ENDRIZZI 23 JUL 1995		TE Connectivity	
DIMENSIONS: mm		CHK G. TURCO 23 JUL 1995		NAME	
TOLERANCES UNLESS OTHERWISE SPECIFIED:		APVD G. TURCO 23 JUL 1995	MONO-SHAPE MK1 TAB CONNECTORS 2-10 POS.		
0 PLC ±		PRODUCT SPEC	SIZE		
1 PLC ±		108-20065-1, 108-20065-2	CAGE CODE		
2 PLC ±		APPLICATION SPEC	DRAWING NO		
3 PLC ±		114-20016, 114-20016-1	RESTRICTED TO		
4 PLC ±		WEIGHT	A20779		
ANGLES ±		Customer Drawing	SCALE		
FINISH			SHEET 3 OF 6		
SEE TABLE			REV AA44		

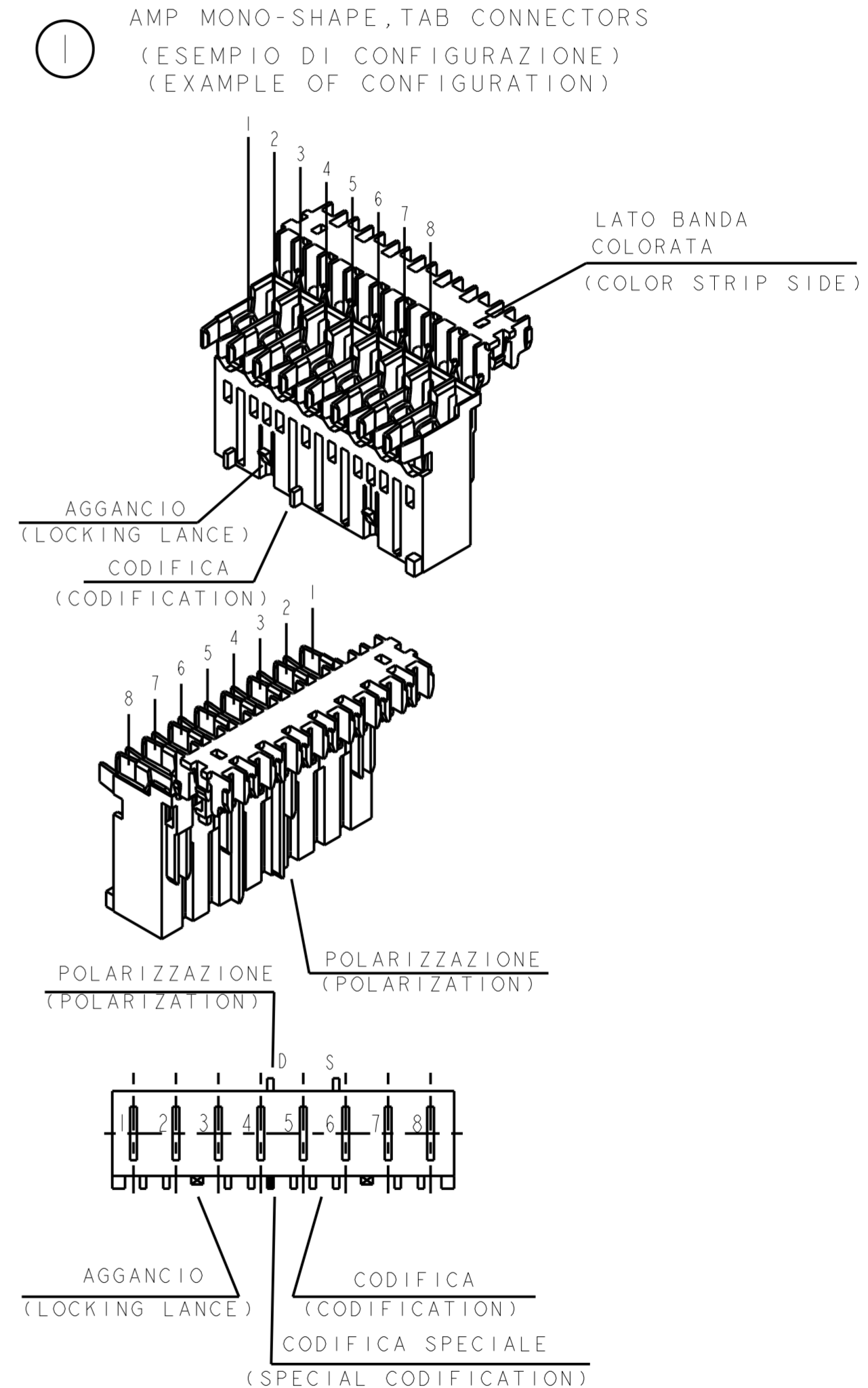
THIS DRAWING IS UNPUBLISHED. RELEASED FOR PUBLICATION
 © COPYRIGHT 2011 ALL RIGHTS RESERVED.

LOC		DIST		REVISIONS			
P	LTR	DESCRIPTION	DATE	DWN	APVD		
-	-	SEE SHEET 1					

NUMERO DI VIE	CONFIGURAZIONE (Vista connettore dall'alto)	TE PART NUMBER ASSY CONN.				POSIZIONE POLARIZ. (LATO POSTERIORE)	POSIZIONE AGGANCIO (LATO ANTERIORE)	POSIZIONE CODIFICA SPECIALE (LATO ANTERIORE)	L +0.2 / -0.3 (mm)	NOTE MARCHIATURA CON BANDA COLORATA	POSSIBLE RAST 5 POLARIZ.
		VERSIONE PEZZI IN VASSOIO	TRAY PACKAGING VERSION	PART REV	LOOSE PIECES PACKAGING VERSION						
10		1-282010-1	V	2-282010-1	V	6D	4-5	6S	49.9	-	-
10		0-284004-1	V	-	-	6D	4-5	6S	49.9	-	-

VISTE SOLO PER RIFERIMENTO
 VIEWS ONLY FOR REFERENCE

LEGENDA
 (DESCRIPTION)



THIS DRAWING IS A CONTROLLED DOCUMENT.		DWN G. ENDRIZZI 23 JUL 1995	TE Connectivity	
DIMENSIONS: mm		CHK G. TURCO 23 JUL 1995		
TOLERANCES UNLESS OTHERWISE SPECIFIED:		APVD G. TURCO 23 JUL 1995	NAME MONO-SHAPE MK1 TAB CONNECTORS 2-10 POS.	
0 PLC ±		PRODUCT SPEC 108-20065-1, 108-20065-2	SIZE CAGE CODE DRAWING NO RESTRICTED TO	
1 PLC ±		APPLICATION SPEC 114-20016, 114-20016-1	A200779 C-282002	
2 PLC ±		WEIGHT --	SCALE - SHEET 4 OF 6 REV AA44	
3 PLC ±				
4 PLC ±				
ANGLES ±				
FINISH ±				
MATERIAL SEE TABLE		Customer Drawing		

THIS DRAWING IS UNPUBLISHED. RELEASED FOR PUBLICATION
 © COPYRIGHT 2011 ALL RIGHTS RESERVED.

PA GF, UL-VO GWEPT 750° C NO FLAME, NATURAL

LOC		DIST		REVISIONS			
P	LTR	DESCRIPTION	DATE	DWN	APVD		
-	-	SEE SHEET 1					

No. of POS.	CONFIGURATION ONLY FOR REF	ON TRAY		LOOSE PIECES		SEE SHEET 1 FOR ADDITIONAL DETAILS AND NOTES					
		P/N ASS'Y	PART REV.	P/N ASS'Y	PART REV.	POLARIZ. POSITION (BACK SIDE)	LOCKING POSITION (FRONT SIDE)	SPECIAL CODIFICAT. POSITION (FRONT SIDE)	L (mm)	COLOR CODE	POSSIBLE RAST. POLARIZ.
2		2293382-2	AA			1S 2D	1-2	-	9.9		02-B 02-E 02-F
2		1-2293382-2	AA			1S 2D	1-2		9.9	GREEN	02-B 02-E 02-F
2		2-2293382-2	AA			1D 2D	1-2	-	9.9		
2		3-2293382-2	AA			1D 2S	1-2	-	9.9	BLUE	02-A
2		4-2293382-2	AA			1S 1D	1-2	-	9.9		
2		5-2293382-2	AA			1S 2D	1-2	-	9.9	GREY	02-B 02-E 02-F
2		6-2293382-2	AA			1D 2S	1-2	-	9.9	-	02-A
3		2293382-3	AA			2S	2-3	-	14.9		
3		1-2293382-3	AA			-	1-2	-	14.9	VIOLET	-
3		2-2293382-3	AA			1D	1-2	-	14.9	ORANGE	03-A 03-1
3		3-2293382-3	AA			1S 1D	1-2	-	14.9		
3		4-2293382-3	AA			1D 2S 2D 3S	1-2	-	14.9		
3		5-2293382-3	AA			1S 3D	2-3	-	14.9		
3		6-2293382-3	AA			1S 1D 2S 2D	1-2	-	14.9		
3		7-2293382-3	AA			1S 3D	1-2	-	14.9	GREEN	03-F
3		8-2293382-3	AA			2D 3D	2-3	-	14.9		
4		2293382-4	AA			1D	1-2 3-4	2D	19.9	GREY	04-A
4		1-2293382-4	AA			1S 4D	1-2 3-4	-	19.9		
4		2-2293382-4	AA			1D 2S	1-2 3-4	-	19.9		
4		3-2293382-4	AA			1D 2S 3S 4S	1-2 3-4	-	19.9		
4		4-2293382-4	AA			1D	1-2 3-4	-	19.9		

THIS DRAWING IS A CONTROLLED DOCUMENT.		DWN G. ENDRIZZI 23 JUL 1995	TE Connectivity MONO-SHAPE MK1 TAB CONNECTORS 2-10 POS.
DIMENSIONS: mm		CHK G. TURCO 23 JUL 1995	
TOLERANCES UNLESS OTHERWISE SPECIFIED: 0 PLC ± 1 PLC ± 2 PLC ± 3 PLC ± 4 PLC ± ANGLES ± FINISH ±		APVD G. TURCO 23 JUL 1995	
MATERIAL SEE TABLE		PRODUCT SPEC 108-20065-1, 108-20065-2 APPLICATION SPEC 114-20016, 114-20016-1	
SEE TABLE		WEIGHT --	RESTRICTED TO -
SEE TABLE		Customer Drawing	SCALE - SHEET 5 OF 6 REV AA44

THIS DRAWING IS UNPUBLISHED. RELEASED FOR PUBLICATION
 © COPYRIGHT 2011 ALL RIGHTS RESERVED.

LOC		DIST		REVISIONS			
P	LTR	DESCRIPTION	DATE	DWN	APVD		
		SEE SHEET 1					

PA GF, UL-V0 GWEPT 750° C NO FLAME, NATURAL

No. of POS.	CONFIGURATION ONLY FOR REF	ON TRAY		LOOSE PIECES		SEE SHEET 1 FOR ADDITIONAL DETAILS AND NOTES					
		P/N ASS'Y	PART REV.	P/N ASS'Y	PART REV.	POLARIZ. POSITION (BACK SIDE)	LOCKING POSITION (FRONT SIDE)	SPECIAL CODIFICAT. POSITION (FRONT SIDE)	L (mm)	COLOR CODE	POSSIBLE RAST 5 POLARIZ.
5		2293382-5	AA			-	4-5	-	24.9		
5		1-2293382-5	AA			-	3-4	3S	24.9		
5		2-2293382-5	AA			1S 2D 4D 5D	1-2 4-5	-	24.9		
6		2293382-6	I			TBD	TBD	TBD	29.9		
7		2293382-7	I			-	1-2 5-6	-	34.9		
7		2-2293382-7	I			1S 2S 2D 3S 3D 4D 5S 6S 6D 7S 7D	1-2 5-6		34.9		
8		2293382-8	I			TBD	TBD	TBD	39.9		
9		2293382-9	I			TBD	TBD	TBD	44.9		
10		1-2293382-0	I			6D 8S	4-5 8-9	6S	49.9		

10
10
10
10
10
10

THIS DRAWING IS A CONTROLLED DOCUMENT.		DWN G. ENDRIZZI 23 JUL 1995	TE Connectivity MONO-SHAPE MK1 TAB CONNECTORS 2-10 POS.	
DIMENSIONS: mm		CHK G. TURCO 23 JUL 1995		
TOLERANCES UNLESS OTHERWISE SPECIFIED:		APVD G. TURCO 23 JUL 1995	NAME	
0 PLC ± 1 PLC ± 2 PLC ± 3 PLC ± 4 PLC ± ANGLES ±		PRODUCT SPEC 108-20065-1, 108-20065-2	RESTRICTED TO	
MATERIAL SEE TABLE		APPLICATION SPEC 114-20016, 114-20016-1	SIZE A20779	CAGE CODE C-282002
FINISH SEE TABLE		WEIGHT -	DRAWING NO Customer Drawing	
		SCALE -	SHEET 6	OF 6 REV AA44

X-ON Electronics

Largest Supplier of Electrical and Electronic Components

Click to view similar products for [Headers & Wire Housings](#) category:

Click to view products by [TE Connectivity](#) manufacturer:

Other Similar products are found below :

[892-18-020-10-001101](#) [58102-G61-06LF](#) [582553-1](#) [0009485154](#) [009176003701906](#) [0050291907](#) [LY20-4P-DT1-P1E-BR](#) [02.125.8002.8](#)
[609-3404](#) [61062-3](#) [61082-181009](#) [622-3653LF](#) [63453-116](#) [636-1030](#) [636-1427](#) [636-3427](#) [636-4007](#) [641938-9](#) [641991-4](#) [644827-2](#) [65817-010LF](#) [65817-015LF](#) [65863-015LF](#) [66207-023LF](#) [67095-007LF](#) [67601157](#) [68645-018](#) [68648-049](#) [70.362.1628.0](#) [70-4210](#) [70-4226B](#) [70-4853B](#) [707-5020](#) [707-5028](#) [71.350.2428.0](#) [71918-208LF](#) [71961-016LF](#) [733-134](#) [733-162](#) [754199-000](#) [760-3052](#) [787-8014-00](#) [79531-3000](#)
[FCN-360C032-B](#) [FCN-367T-T012/H](#) [FCN-723D010/2](#) [80.063.4001.1](#) [800-90-001-10-001000](#) [800-90-010-10-002000](#) [801-43-002-10-013000](#)