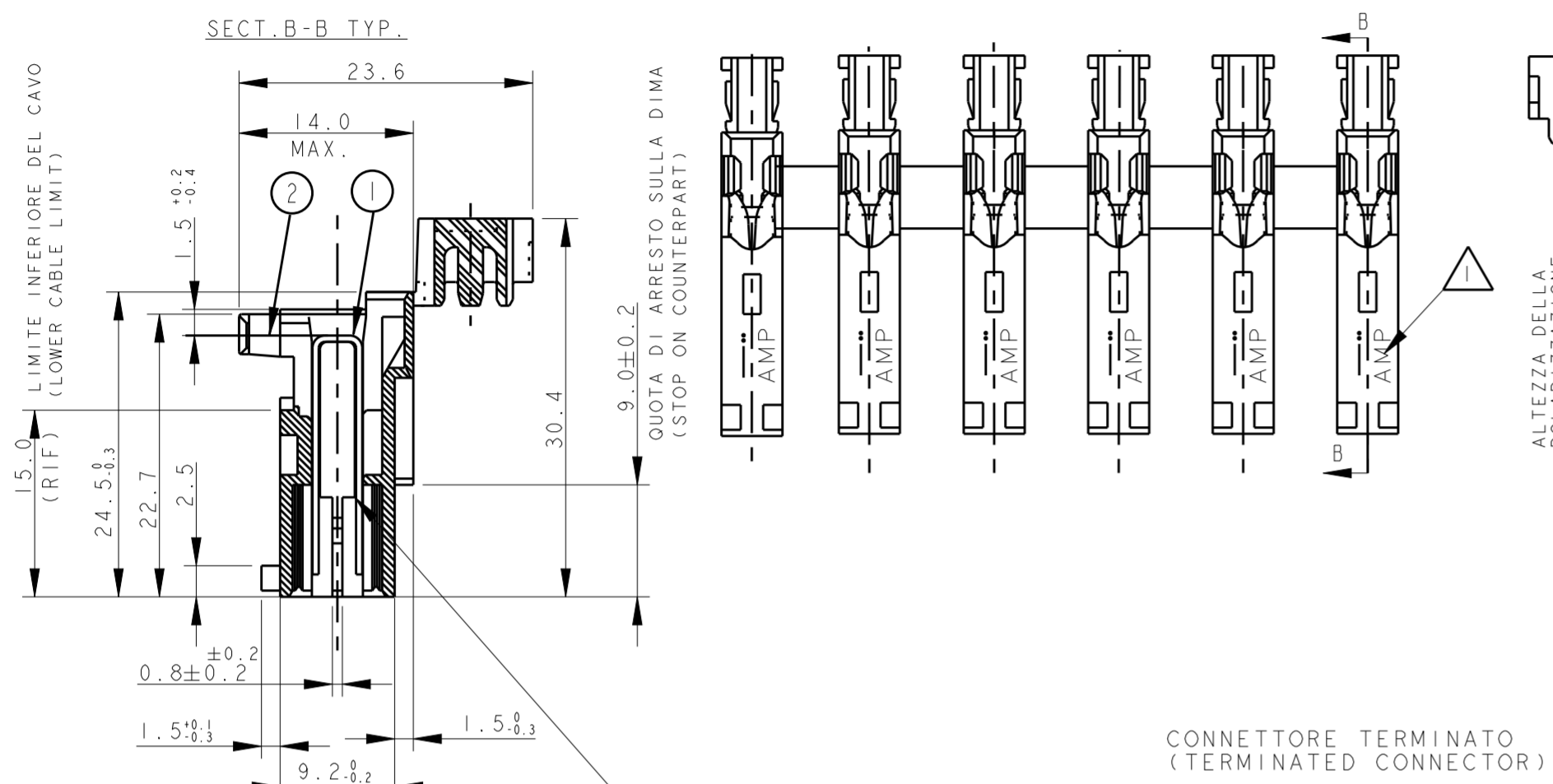
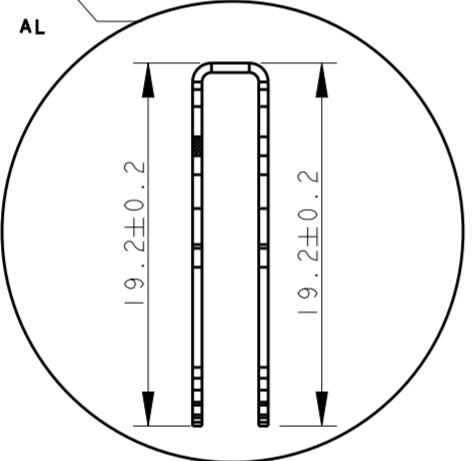


THIS DRAWING IS UNPUBLISHED. RELEASED FOR PUBLICATION 20
 © COPYRIGHT 20 ALL RIGHTS RESERVED.

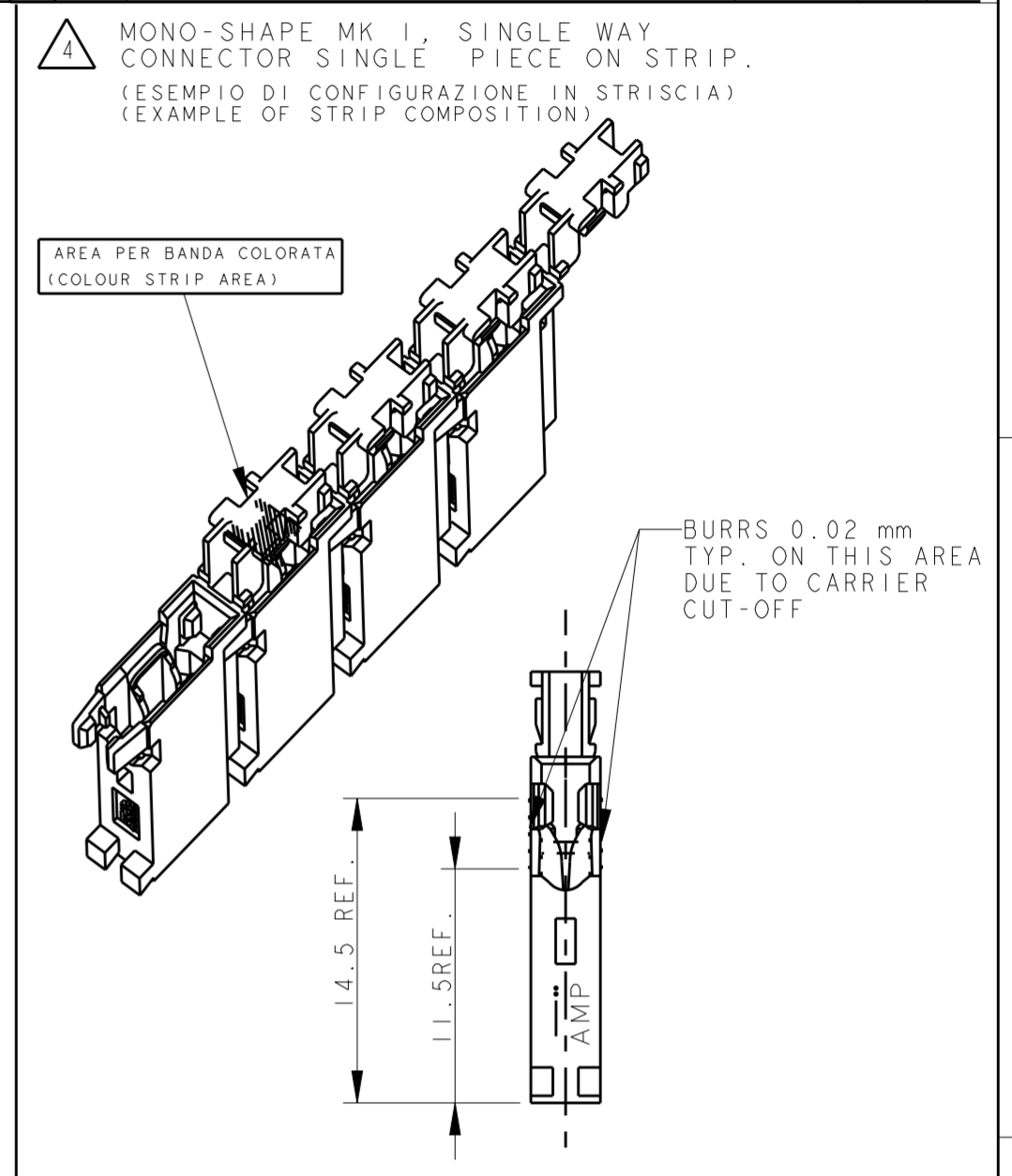
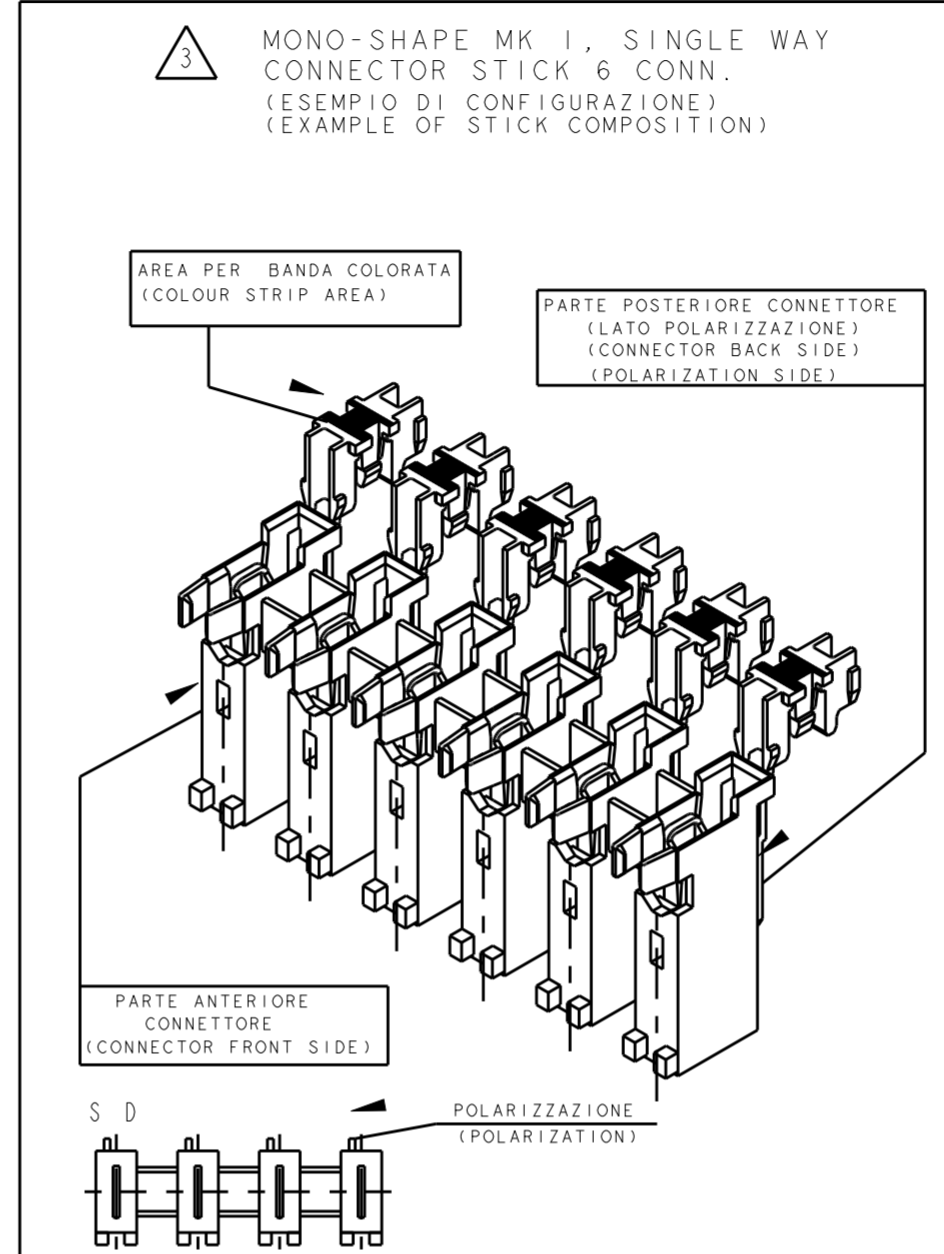
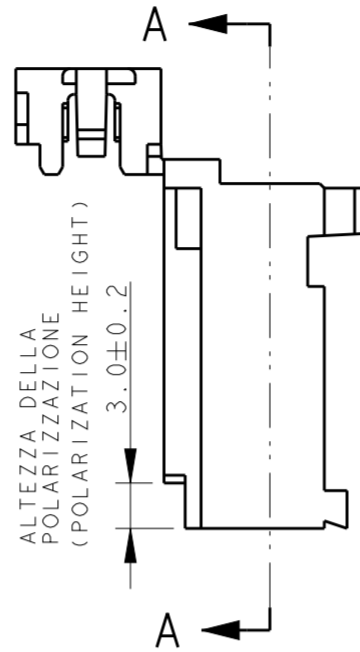
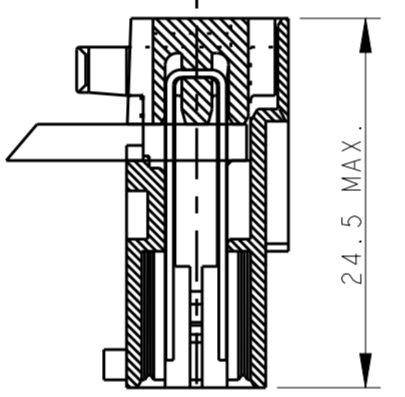
LOC		DIST		REVISIONS			
P	LTR	DESCRIPTION	DATE	DWN	APVD		
H6	ECR-15-005877		15APR2015	KD	RR		
H7	ECR-17-002850		08MAR2017	IZ	RR		
H8	ECR-17-010648		31JUL2017	JP	RR		
H9	ECR-18-007788		22MAY2018	MD	FL		



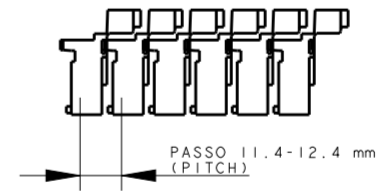
DETTAGLIO DEL CONTATTO, DIMENSIONI RIFERITE AL COMPONENTE INSERITO IN CAVITÀ (ENLARGED VIEW OF TAB CONTACT DIM. REFERRED TO CONTACT INSERTED IN THE HOUSING CAVITY)



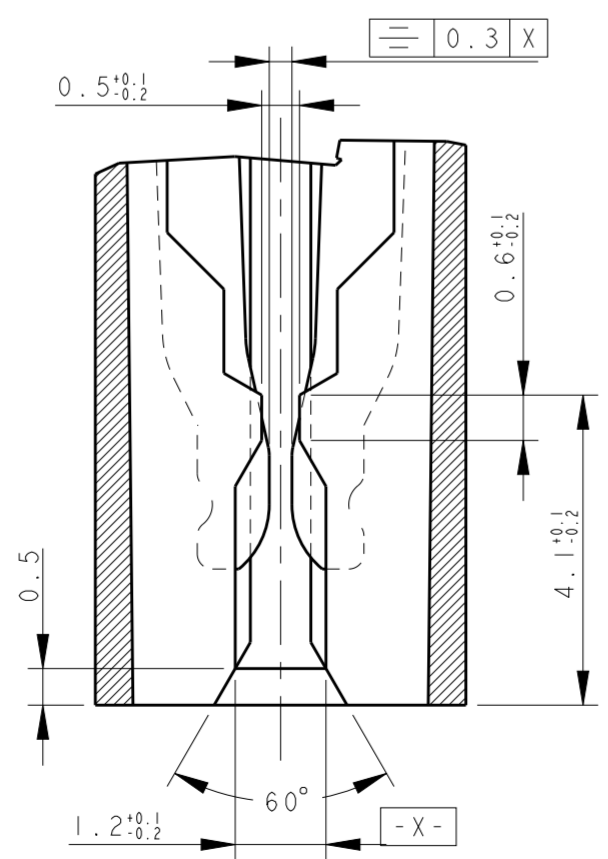
CONNETTORE TERMINATO (TERMINATED CONNECTOR)



- 1 MARCHIO DI FABBRICA. (TRADEMARK)
- 2 NON ANCORA RILASCIATO IN PRODUZIONE (NOT YET RELEASED FOR PRODUCTION)
- 3 STATO DI FORNITURA: CONFEZIONAMENTO STICK DI 6 CONNETTORI IN VASSOI + SCATOLA (PACKAGING: "6 CONNECTOR STICK VERSION, ON TRAY PLUS CARTON BOX")



- 4 CONFEZIONAMENTO IN STRISCIA DI CONNETTORI SINGOLI IN VASSOI+SCATOLA (PACKAGING: SINGLE CONNECTOR IN STRIP, ON TRAY PLUS CARTON BOX)
- 5) APPROVAZIONE VDE, FILE N. 3905 (VDE APPROVAL, FILE N. 3905)



SECTION A - A
SCALE 10:1

ITEM	DENOMINAZIONE	FINITURA / COLORE (FINISH / COLOUR)	MATERIALE (MATERIAL)	DIAM. ISOLANTE (INS. DIA. RANGE)	RANGO FILO (WIRE RANGE)
2	BLOCCETTO (HOUSING)	NATURALE (NATURAL)	POLIAMIDE 6.6 20%C.vetro (PA 6.6 Glassfiber Filled)	3.0 mm	0.5-1.5 mm ²
1	CONTATTO (CONTACT)	STAGNATO (TIN-PLATED)	OTTONE (BRASS)		

THIS DRAWING IS A CONTROLLED DOCUMENT.

DIMENSIONS: mm	TOLERANCES UNLESS OTHERWISE SPECIFIED:	DWN G. ENDRIZZI 23JULY97	CHK G. VIGNOLI 23JULY97	APVD G. TURCO 23JULY97	NAME
0 PLC ±.3	1 PLC ±	2 PLC ±	3 PLC ±	4 PLC ±	ANGLES ±2
MATERIAL	SEE TABLE	FINISH	SEE TABLE	WEIGHT	-

PRODUCT SPEC: 108-20065
APPLICATION SPEC: 114-20017

STE TE Connectivity

MONO SHAPE MK I SINGLE WAY CONN. ASSEMBLY

SIZE	CAGE CODE	DRAWING NO	RESTRICTED TO
A2	0779	C-282086	-

CUSTOMER DRAWING SCALE NO SHEET 1 OF 2 REV H9

THIS DRAWING IS UNPUBLISHED. RELEASED FOR PUBLICATION 20
 © COPYRIGHT 20 ALL RIGHTS RESERVED.

LOC		DIST		REVISIONS			
P	LTR	SEE SHEET 1	DESCRIPTION	DATE	DWN	APVD	
-	-						

NO. OF POSITION	CONFIGURATION (VIEW FROM THE TOP)	CONNECT. PART NUMBER (STICK VERSION 6 CONN.)	PART REV.	POLARIZ. POSITION BACK SIDE	STRIP COLOR CODE
6 X 1		2293382-1	H	-	-

NO. OF POSITION	CONFIGURATION (VIEW FROM THE TOP)	CONNECT. PART NUMBER (STICK VERSION 6 CONN.)	PART REV.	POLARIZ. POSITION BACK SIDE	STRIP COLOR CODE
6 X 1		4-282086-1	A	-	-
6 X 1		4-282086-2	A	IS	BLACK
6 X 1		4-282086-3	A	ID	ORANGE

NUMERO DI VIE (NO. OF POSITION)	CONFIGURAZIONE (VISTA DALL'ALTO) CONFIGURATION (VIEW FROM THE TOP)	CODICE CONNETTORE (CONNECT. PART NUMBER) VERSIONE IN STICK 6 CONN. (STICK VERSION 6 CONN.)	PART REV.	POSIZIONE POLARIZ. (LATO POSTERIORE) POLARIZ. POSITION BACK SIDE	MARCHIATURA CON BANDA COLORATA STRIP COLOUR CODE
6 X 1		1-282086-1	H	-	-
		1-282086-4	H	-	VERDE (GREEN)
		1-282086-5	H	-	BLU (BLUE)
		1-282086-6	H	-	VIOLA (VIOLET)
6 X 1		1-282086-2	H	IS	NERO (BLACK)
6 X 1		1-282086-3	H	ID	ARANCIO (ORANGE)

NUMERO DI VIE (NO. OF POSITION)	CONFIGURAZIONE (VISTA DALL'ALTO) CONFIGURATION (VIEW FROM THE TOP)	CODICE CONNETTORE (CONNECT. PART NUMBER) VERSIONE PEZZO SINGOLO (SINGLE PIECE VERSION)	PART REV.	POSIZIONE POLARIZ. (LATO POSTERIORE) POLARIZ. POSITION BACK SIDE	MARCHIATURA CON BANDA COLORATA STRIP COLOUR CODE
1		1-282086-7	B	-	-
1		1-282086-8	B	IS	NERO (BLACK)
1		1-282086-9	B	ID	ARANCIO (ORANGE)

THIS DRAWING IS A CONTROLLED DOCUMENT.		DWN G. ENDRIZZI 23JULY97	TE Connectivity MONO SHAPE MK I SINGLE WAY CONN. ASSEMBLY		
DIMENSIONS: mm		CHK G. VIGNOLI 23JULY97			NAME
TOLERANCES UNLESS OTHERWISE SPECIFIED:		APVD G. TURCO 23JULY97			SIZE
0 PLC ±.3 1 PLC ± 2 PLC ± 3 PLC ± 4 PLC ± ANGLES ±2 FINISH		PRODUCT SPEC 108-20065			CAGE CODE
MATERIAL SEE TABLE		APPLICATION SPEC 114-20017	DRAWING NO	RESTRICTED TO	
SEE TABLE		WEIGHT -	A200779	REV H9	
CUSTOMER DRAWING		SCALE NO	SHEET 2 OF 2		

X-ON Electronics

Largest Supplier of Electrical and Electronic Components

Click to view similar products for [Headers & Wire Housings](#) category:

Click to view products by [TE Connectivity](#) manufacturer:

Other Similar products are found below :

[892-18-020-10-001101](#) [58102-G61-06LF](#) [582553-1](#) [0009485154](#) [009176003701906](#) [0050291907](#) [LY20-4P-DT1-P1E-BR](#) [02.125.8002.8](#)
[609-3404](#) [61062-3](#) [61082-181009](#) [622-3653LF](#) [63453-116](#) [636-1030](#) [636-1427](#) [636-3427](#) [636-4007](#) [641938-9](#) [641991-4](#) [644827-2](#) [65817-010LF](#) [65817-015LF](#) [65863-015LF](#) [66207-023LF](#) [67095-007LF](#) [67601157](#) [68645-018](#) [68648-049](#) [70.362.1628.0](#) [70-4210](#) [70-4226B](#) [70-4853B](#) [707-5020](#) [707-5028](#) [71.350.2428.0](#) [71918-208LF](#) [71961-016LF](#) [733-134](#) [733-162](#) [754199-000](#) [760-3052](#) [787-8014-00](#) [79531-3000](#)
[FCN-360C032-B](#) [FCN-367T-T012/H](#) [FCN-723D010/2](#) [80.063.4001.1](#) [800-90-001-10-001000](#) [800-90-010-10-002000](#) [801-43-002-10-013000](#)