

THIS DRAWING IS UNPUBLISHED.

RELEASED FOR PUBLICATION

© COPYRIGHT -

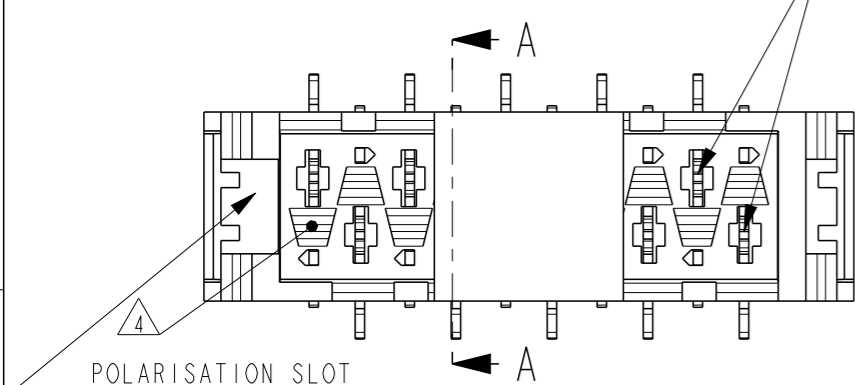
ALL RIGHTS RESERVED.

LOC -
DIST -

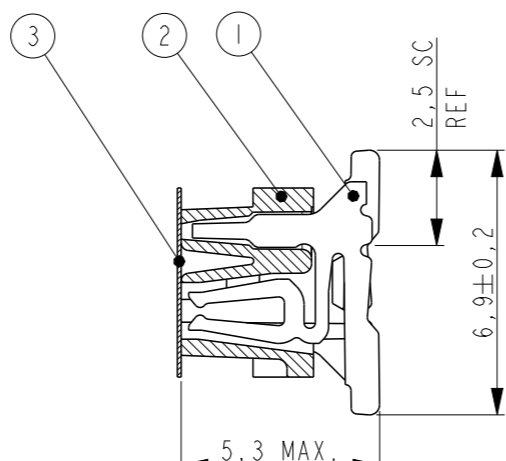
REVISIONS

P	LTR	DESCRIPTION	DATE	DWN	APVD
	A	RELEASE TO PRODUCTION	18DEC2014	NV	PS

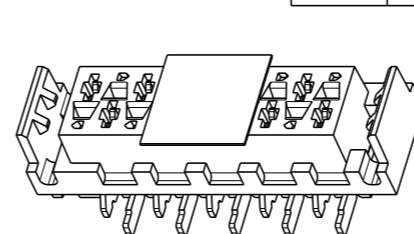
REFERENCE MATING INTERFACE PATTERN:
1,27 STAGGERED PITCH x 1,5 ROW-DISTANCE.



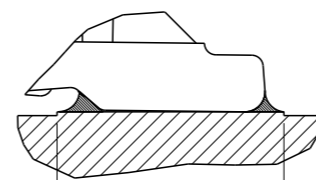
POLARISATION SLOT



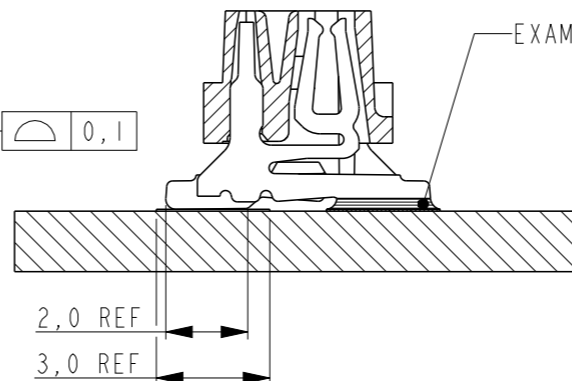
SECTION A-A



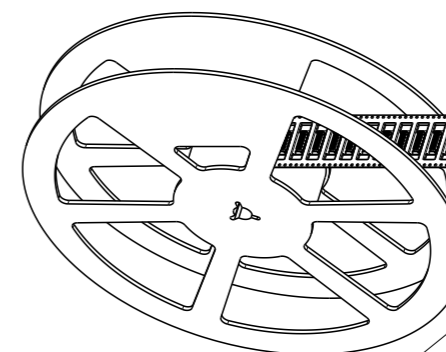
SCALE 3:1



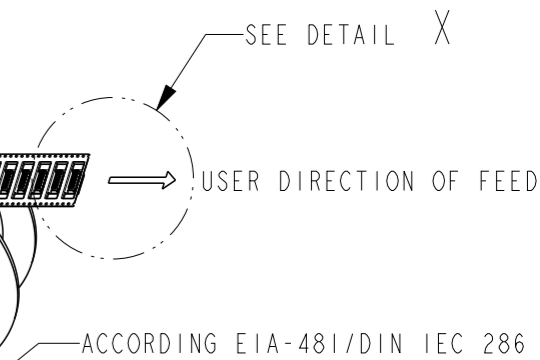
SOLDER DETAIL
SCALE 10:1



EXAMPLE SOLDER JOINT

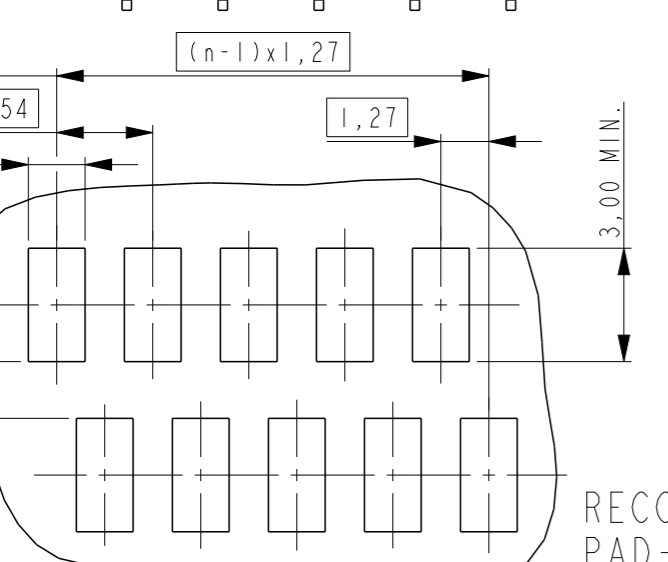
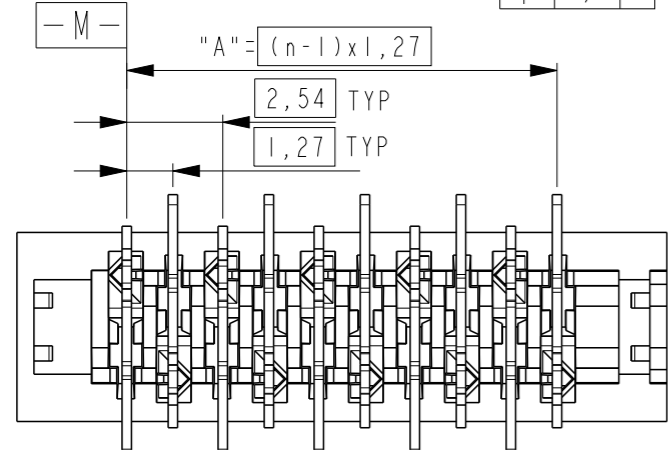
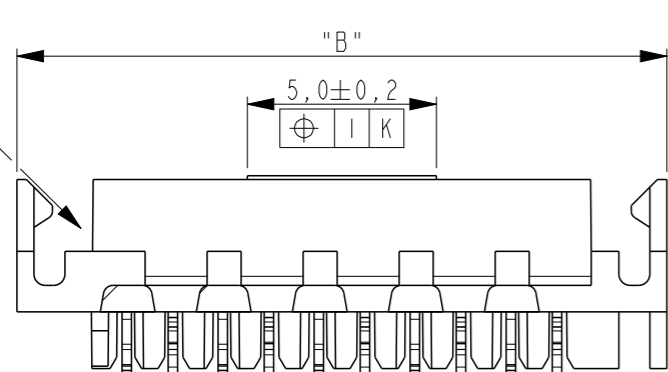


DETAIL X
SCALE 1:1



ACCORDING EIA-481/DIN IEC 286

POLARIZATION-SLOT
ON THIS SIDE.



RECOMMENDED PC-BOARD
PAD-LAYOUT TOP VIEW

NOTES:

- 1 TAPE FOR VACUUM P&P ONLY FOR DASH NUMBERS 7- /8- /9-
- 2 FOR PACKAGING SEE SHEET 2 AND 3
- 3 WITHOUT VACUUM TAPE.
- 4 CORING-OUTS FOR MANUFACTURING PURPOSE ONLY.
SHAPE MAY VARY, BUT IS NOT FUNCTIONAL FOR THE APPLICATION.
- 5 SHOWN IS A 10 POSITION CONNECTOR.

Item no.	Description	Material	Finish
3	PICK & PLACE TAPE	KAPTON	AMBER TRANSPARENT
2	FEMALE HOUSING	POLYAMIDE 4/6,GF	BLACK
1	FEMALE CONTACT	TIN BRASS	TIN(3-5µ) OVER NICKEL

THIS DRAWING IS A CONTROLLED DOCUMENT.

DIMENSIONS:	TOLERANCES UNLESS OTHERWISE SPECIFIED:
mm	
0 PLC	±-
1 PLC	±-
2 PLC	±-
3 PLC	±-
4 PLC	±-
ANGLES	±-
MATERIAL	FINISH
SEE TABLE	SEE TABLE

DWN	25SEP2014
NAGASHREE, V	
CHK	26SEP2014
PRASHANTH, S	
APVD	26SEP2014
JAYANTH	
PRODUCT SPEC	
108-32087	
APPLICATION SPEC	
114-13318	
WEIGHT	-

NAME			
MICRO-MATCH VALUE LINE FEMALE-ON-BOARD TOP-ENTRY, SMD CONNECTOR WITH LATCHES			
SIZE	CAGE CODE	DRAWING NO	RESTRICTED TO
A3	00779	C-2823056	-

Customer Drawing SCALE 5:1 SHEET 1 OF 3 REV A

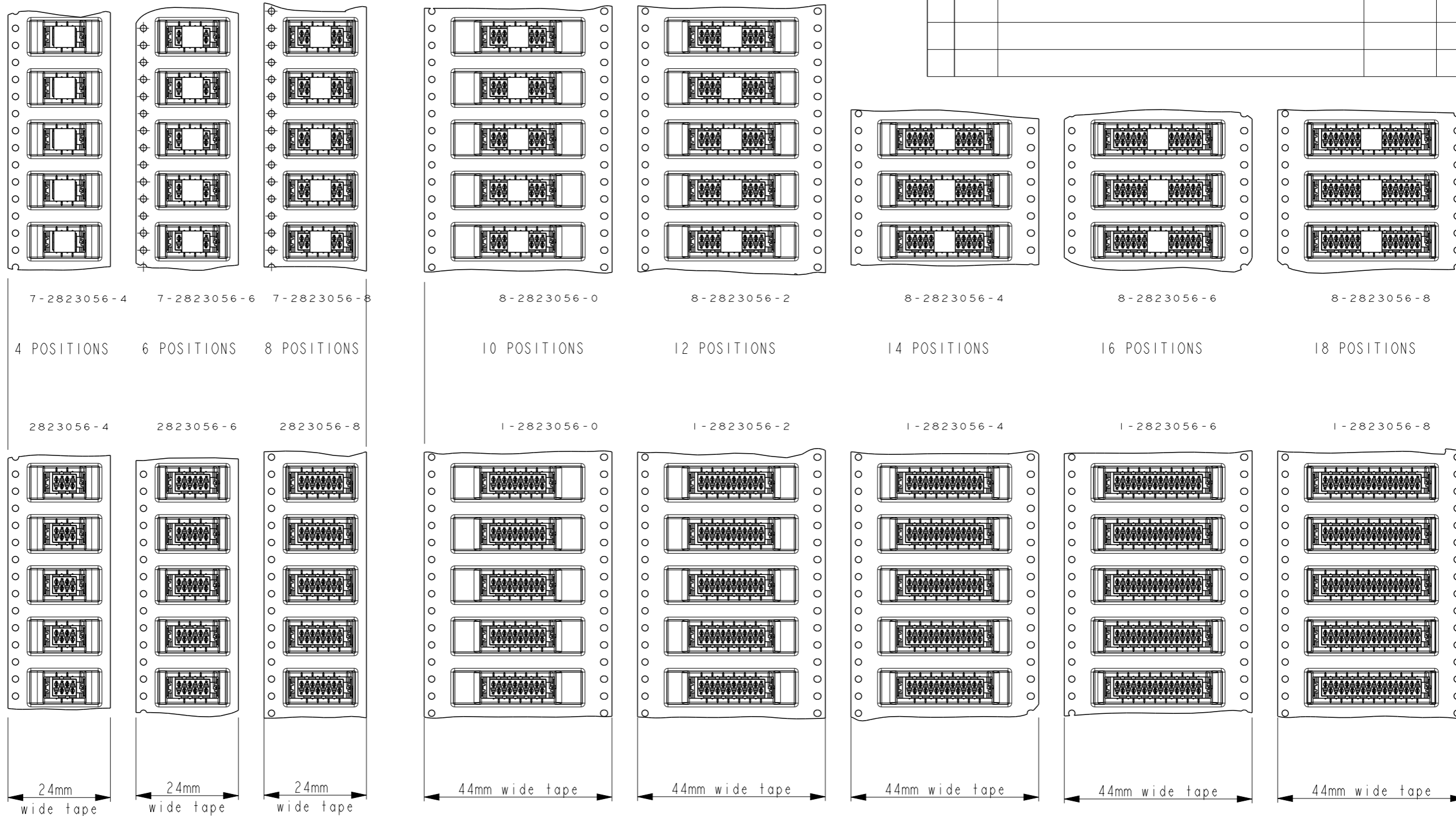
THIS DRAWING IS UNPUBLISHED.


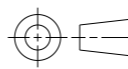
RELEASED FOR PUBLICATION

© COPYRIGHT -

ALL RIGHTS RESERVED.

LOC	DIST	REVISIONS					
-	-	P	LTR	DESCRIPTION	DATE	DWN	APVD
		-	-	SEE SHEET 1	-	-	-



THIS DRAWING IS A CONTROLLED DOCUMENT.		DWN	25SEP2014	 TE Connectivity	NAME MICRO-MATCH VALUE LINE FEMALE-ON-BOARD TOP-ENTRY, SMD CONNECTOR WITH LATCHES.
DIMENSIONS: mm		CHK	26SEP2014		
		APVD	26SEP2014		
TOLERANCES UNLESS OTHERWISE SPECIFIED:		PRODUCT SPEC	108-32087		
MATERIAL		APPLICATION SPEC	114-13318	SIZE	A3
		FINISH	-	CAGE CODE	00779
				DRAWING NO	C-2823056
				RESTRICTED TO	-
				SCALE	4:1
				SHEET	2 OF 3
				REV	A

THIS DRAWING IS UNPUBLISHED.

RELEASED FOR PUBLICATION

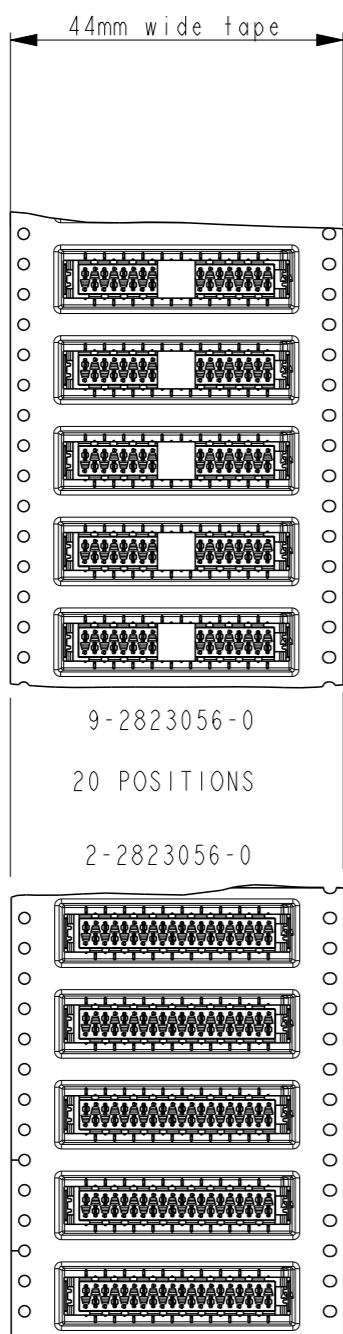
© COPYRIGHT -

ALL RIGHTS RESERVED.

LOC - DIST -

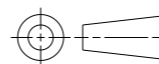
REVISIONS

P	LTR	DESCRIPTION	DATE	DWN	APVD
-	-	SEE SHEET 1	-	-	-



THIS DRAWING IS A CONTROLLED DOCUMENT.

DIMENSIONS:
mm



TOLERANCES UNLESS OTHERWISE SPECIFIED:

- 0 PLC ±
- 1 PLC ±
- 2 PLC ±
- 3 PLC ±
- 4 PLC ±
- ANGLES ±

MATERIAL -

FINISH -

DWN 25SEP2015

Nagashree.V

CHK 26SEP2014

Prashanth.S

APVD 26SEP2014

JAYANTH

PRODUCT SPEC

108-32087

APPLICATION SPEC

114-13318

WEIGHT -

-

Customer Drawing



TE Connectivity

NAME
MICRO-MATCH VALUE LINE
FEMALE-ON-BOARD TOP-ENTRY,
SMD CONNECTOR WITH LATCHES.

SIZE CAGE CODE DRAWING NO RESTRICTED TO

A3 00779 C-2823056

SCALE 4:1 SHEET 3 OF 3 REV A

X-ON Electronics

Largest Supplier of Electrical and Electronic Components

Click to view similar products for [TE Connectivity](#) manufacturer:

Other Similar products are found below :

[D38999/24FJ4AN](#) [570416-000](#) [CLTEQ-M81CE-SSRELAY-4-20V](#) [4-1195131-0](#) [650069-000](#) [SMD100-2](#) [358838-000](#) [CB-1022B-78](#)
[RM707012](#) [RP410012](#) [MMS42](#) [1-640426-8](#) [2EDL4CM](#) [DTS20W19-11PD-3028-LC](#) [RM202615](#) [NC6-P104-06](#) [MSPS103B](#) [DTS26F21-](#)
[41HE-LC](#) [DTS26F21-41AE](#) [DTS26F21-41PE-LC](#) [DTS26F21-11SE-3028-LC](#) [30DCB6](#) [1932144-1](#) [293545-4](#) [LVR125S](#) [MS27466T25F4PB](#)
[CKB-38-78010](#) [TR04AI-TINELLOCKRING](#) [1206SFF150F/63-2](#) [D38999/20JB35HA](#) [TE1500A2R2J](#) [D38999/20WC8BB](#) [DTS24F19-11SC-](#)
[3028-LC](#) [D38999/24WG11HA](#) [D38999/24WG11HN](#) [MS27467T21F11H](#) [DJT16E21-11HA](#) [MS27467T21F35J](#) [MS27467T21F11J](#)
[MS27467T21F16H-LC](#) [MS27467T21F35H](#) [MS27467T21F41H-LC](#) [1206SFH150F/24-2](#) [RP330024](#) [DJT16E21-11PA-LC](#) [DJT16E21-11HA-](#)
[LC](#) [DJT16E21-11AA](#) [MS27467T21B11JA](#) [DJT16E21-11JA](#) [MS27467T21B11JA-LC](#)