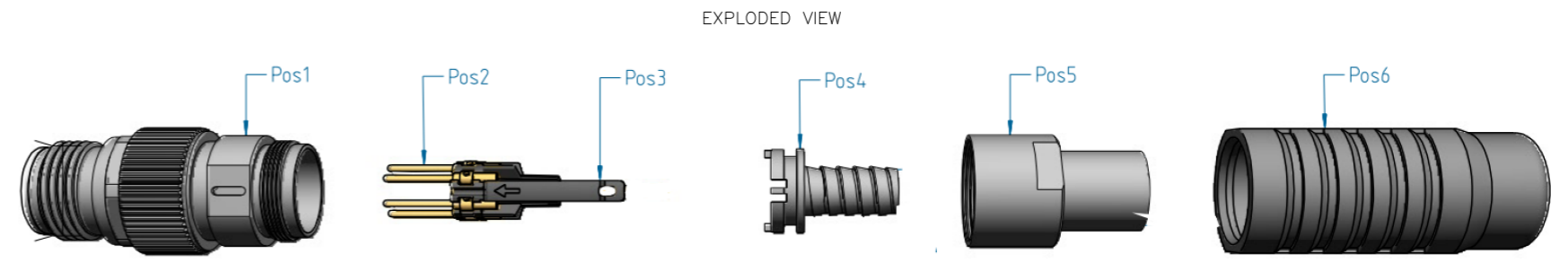
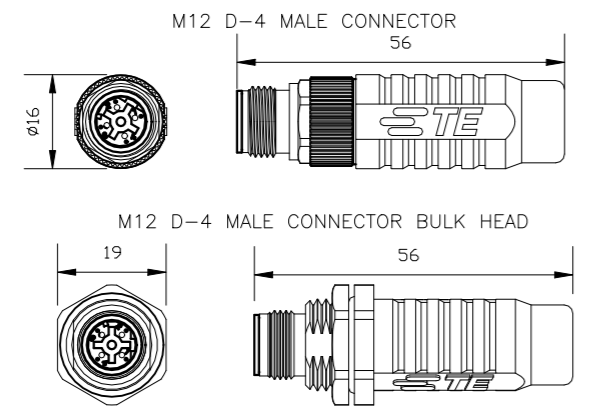


© 2021 TE Connectivity. All Rights Reserved.	
PROJECT	PRJ-14-000004825
PART NO	X-2823445-X
HV DESC	RAIL M12, D-CODED, MALE
CUSTOMER	GENERAL MARKET

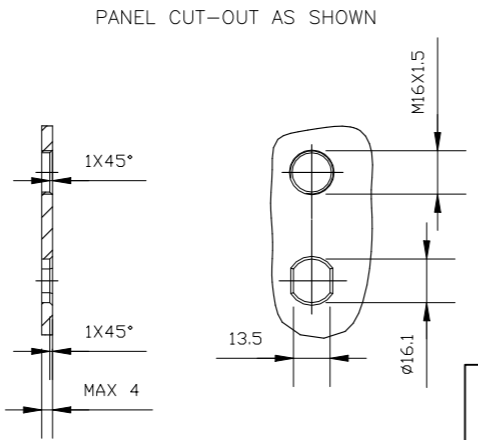
REVISIONS				
P	LTR	DESCRIPTION	DATE	APVD
	B2	CRIMP TOOL INFORMATION UPDATED	13JAN2021	GK SE



Cable preparation	Recommended Contact crimping tools	Recommended jacket crimping tool	Crimp Flange insertion

TE PN	Description	Coding	Number of positions	Gender	Number of contacts included	Connector type	Applicable on cable	Manufacturer PN	Category	Color	Conductor size	Conductor stripping	Jacket cutting	Hand tool	Contact positioner	Crimp Selection number*	Crimp tool	Tool Setting	Handle	Insert for handle	Connector assembly tool
1-2823445-1	M12 D-M-4, CRIMP, CAT5 RADOX 6.6MM, H&S	D	4	Male	4	Straight	Radox 6.6mm	H&S 12584038	Cat 5	Black	4 x AWG22	734185-1	2119000-1	601966-1	1-2823581-1	6	2380757-2	ORANGE	1-2823560-1	1-2823561-1	1-2823564-1
1-2823445-2	M12 D-M-4, CRIMP, CAT 5 RADOX 7.3MM, H&S					Straight	Radox 7.3mm	H&S 12568935	Cat 5	Black	4 x AWG22					6		GREEN			
1-2823445-3	M12 D-M-4, CRIMP, CAT 5 RADOX 8.3MM, H&S					Straight	Radox 8.3mm	H&S 12585489	Cat 5	Black	4 x AWG20					7		BLUE			
1-2823445-4	M12 D-M-4, CRIMP, CAT 7 RADOX 8.2MM, H&S					Straight	Radox 8.2mm	H&S 84124806	Cat 7	Black	8 x AWG24					5		BLUE			
1-2823445-5	M12 D-M-4 CRIMP, CAT 5 RADOX 7.3MM, H&S					Straight	Radox 7.3mm	H&S 12568935	Cat 5	Black	4 x AWG22					6		GREEN			
1-2823445-6	M12 D-M-4 CRI CAT5 MEGALINE 5.3MM, LEO					Bulkhead	Megaline 5.3mm Leoni	Leoni 20123 3103012	Cat 5	Grey	8 x AWG26					4		WHITE			
1-2823445-7	M12 D-M-4 CRIMP, CAT 7, RADOX 8.2MM, H&S					Bulkhead	Radox 8.2mm	H&S 84124806	Cat 7	Black	8 x AWG24					5		BLUE			
1-2823445-8	M12 D-M-4 CRIMP, CAT 5, 6.7MM, BELDEN					Straight	Belden 6.7mm	Belden BE43769	Cat 5	Black	8 x AWG22					6		WHITE			
1-2823445-9	M12 D-M-4 CRIMP CAT 5 RADOX 6.6MM, LEO					Straight	Leoni	Leoni 303195	Cat 5	Black	4 x AWG22					6		ORANGE			
2-2823445-0	M12 D-M-4 CRIMP, TE CAT 7 8.4MM					Straight	TE Cat 7 cable TECC0011C7	TE 2297799-1	Cat 7	Blue	8 x AWG24					5		YELLOW			
2-2823445-1	M12 D-M-4 CRIMP, CAT 5E, 6.5MM, TE					Straight	TE Cat 5e cable TECC0026C	TE 2320808-1	Cat 5e	Blue	4 x AWG22					6		ORANGE			
2-2823445-2	M12 D-M-4 CRIM CAT5E ROCKBESTO TD-01030					Straight	Exane	Rockbestos TD-01030	Cat 5e	Black	4 x AWG24					5		WHITE			

*TOOL SETTING MUST BE VALIDATED ON CABLE USED



- NOTES:
- ALL DIMENSIONS ARE FOR NOMINAL REFERENCE ONLY.
 - PACKAGING: 1 PIECE IN A BOX, CONTACTS INCLUDED.
 - THE CONNECTOR IS AS PER IEC 61076-2-101.
 - TEMPERATURE RANGE: WITH CABLE BOOT -40°C TO +70°C. WITHOUT CABLE BOOT -40°C TO +85°C.
 - VIBRATION & SHOCK TEST CONDUCTED AS PER IEC 61373: CAT 1 CLASS B.
 - FIRE PERFORMANCE CONDUCTED AS PER EN45545-2 HL3 R22/R23, NFF16-101 AND NFF16-102.
 - SPECIAL CRIMP FLANGE SYSTEM WITH CRIMP INSERT AND CRIMP SLEEVE SECURES THE EFFECTIVE SHIELDING OVER THE LIFETIME WITH EXTREMELY HARD CONDITIONS.
 - VIBRATION AND TORSION-PROOF CABLE STRAIN RELIEF FOR ROUGH ENVIRONMENT ACHIEVED BY HEXAGONAL CRIMP OF THE CRIMP SLEEVE OF THE CRIMP FLANGE SYSTEM.
 - DEGREE OF PROTECTION: IP 67 (ONLY SCREW-LOCKED).
 - DATA TRANSMISSION RATE: 10/100 Mbit/s.
 - CURRENT RATING: 4A, NOMINAL VOLTAGE: 50V, CONTACT RESISTANCE: ≤ 5 mΩ, INSULATION RESISTANCE: ≥ 100 mΩ.
 - DURABILITY: ≥ 200 MATING CYCLES

THIS DRAWING IS A CONTROLLED DOCUMENT.		DWN 16APR2019 GOPALAKRISHNA HV	 TE Connectivity RAIL M12, D-CODED MALE 4 CRIMP CONNECTORS			
DIMENSIONS: mm		CHK 16APR2019 S EGBERT			NAME	
TOLERANCES UNLESS OTHERWISE SPECIFIED:		APVD 16APR2019 S EGBERT			PRODUCT SPEC	
0 PLC ± - 1 PLC ± - 2 PLC ± - 3 PLC ± - 4 PLC ± - ANGLES ± -		APPLICATION SPEC			108-156001	
MATERIAL	FINISH	WEIGHT	SIZE	CAGE CODE	DRAWING NO	RESTRICTED TO
-	-	-	A3	00779	C-2823445	-
CUSTOMER DRAWING			SCALE	SHEET	REV	
			NTS	1 OF 1	B2	

X-ON Electronics

Largest Supplier of Electrical and Electronic Components

Click to view similar products for [Circular Metric Connectors](#) category:

Click to view products by [TE Connectivity](#) manufacturer:

Other Similar products are found below :

[600X518037X](#) [6STD15PCR99B70A](#) [8R4000A16M020](#) [8R5000A16M005](#) [1200910002](#) [1203580030](#) [1200910008](#) [1200910011](#) [1300140094](#)
[130203-0054](#) [1300140026](#) [1300150099](#) [RF-12S1N8A90DU](#) [1-3637-600-5205](#) [1612618](#) [21036836414](#) [8R4006A16M010](#) [8R5006A18A120](#)
[1604232](#) [1R3006A20M005](#) [RF-12P1N8A80DU](#) [RF-12P1N8A90DU](#) [41-40011](#) [42-01015](#) [4-22279-4](#) [4-22281-1](#) [4-22284-9](#) [43-00113](#) [43-](#)
[01088](#) [43-01203](#) [41-40013](#) [42-00008](#) [43-00343](#) [43-01032](#) [43-01162](#) [43-10000](#) [600X518050X](#) [SACC-DSI-FS-5P-PG9-L180 SC](#)
[8R5006A16M020](#) [8R5006A16M005](#) [8R4000A16M010](#) [6-22279-3](#) [1605332](#) [N03FA03144](#) [1300140077](#) [43-01338](#) [XS2RD4265](#) [XS2R-](#)
[D426-1](#) [XS8A-0441](#) [859RD04-103R004](#)