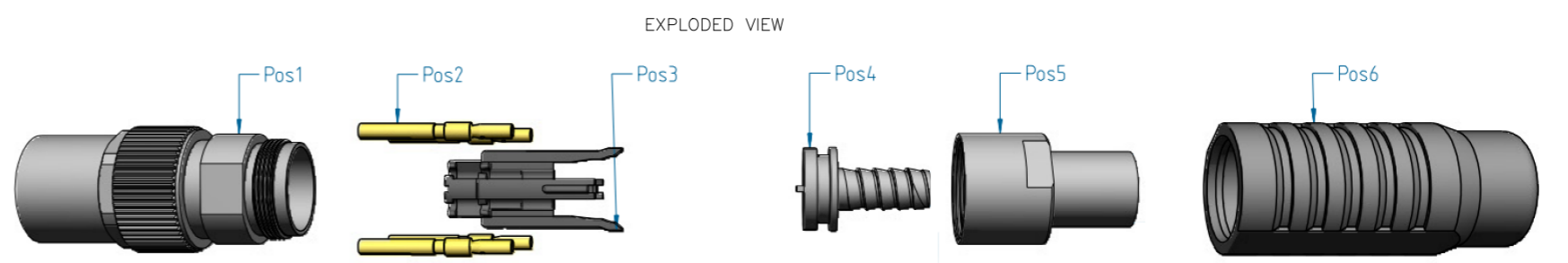
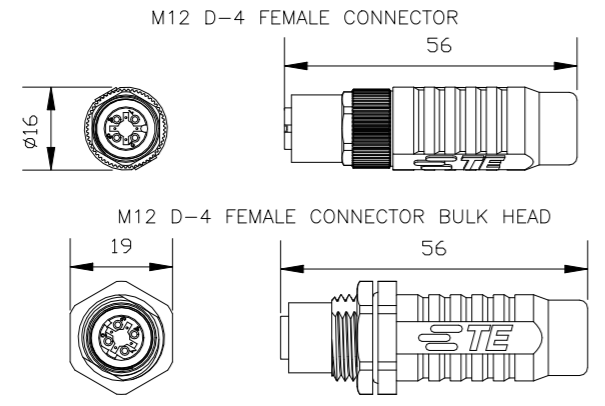


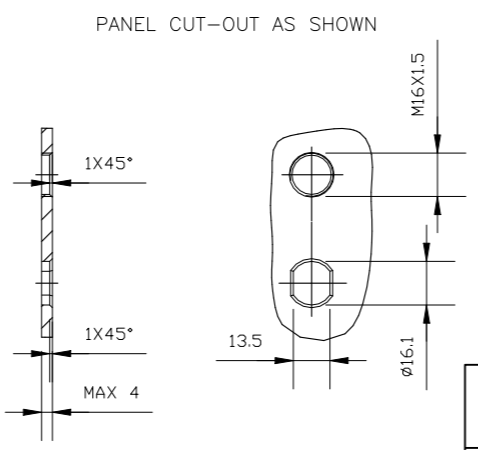
© 2021 TE Connectivity. All Rights Reserved.	
PROJECT	PRJ-14-000004825
PART NO	X-2823446-X
HV DESC	M12, D-CODED,RAIL FEMALE 4 CRIMP
CUSTOMER	GENERAL MARKET

REVISIONS				
P	LTR	DESCRIPTION	DATE	APVD
	A4	CRIMP TOOL INFORMATION UPDATED	13JAN2021	GK SE



TE PN	Description	Coding	Number of positions	Gender	Number of contacts included	Connector type	Applicable on cable	Manufacturer PN	Category	Color	Conductor size	Cable preparation		Recommended Contact crimping tools		Recommended Jacket Crimping tool		Crimp Flange insertion			
												Conductor stripping	Jacket cutting	Hand tool	Contact positioner	Crimp Selection number*	Crimp tool	Tool Setting	Handle	Insert for handle	Connector assembly tool
1-2823446-1	M12 D-F-4,CRIMP CAT 5 RADOX 6.6MM, H&S	D	4	Female	4	Straight	Radox 6.6mm	H&S 12584038	Cat 5	Black	4 x AWG22	734185-1	2119000-1	601966-1	1-2823581-1	2380757-2	1-2823560-1	1-2823561-1	1-2823564-1		
1-2823446-2	M12 D-F-4 CRIMP ST CAT 5 RADOX 7.3MM,H&S					Straight	Radox 7.3mm	H&S 12568935	Cat 5	Black	4 x AWG22									6	ORANGE
1-2823446-3	M12 D-F-4, CRIMP, CAT 5 RADOX 8.3MM, H&S					Straight	Radox 8.3mm	H&S 12585489	Cat 5	Black	4 x AWG20									7	BLUE
1-2823446-4	M12 D-F-4 CRIMP ST CAT 7 RADOX 8.2MM,H&S					Straight	Radox 8.2mm	H&S 84124806	Cat 7	Black	8 x AWG24									5	BLUE
1-2823446-5	M12 D-F-4 CRIMP ST CAT 5 RADOX 7.3MM,H&S					Straight	Radox 7.3mm	H&S 12568935	Cat 5	Black	4 x AWG22									6	GREEN
1-2823446-6	M12 D-F-4 CRIM CAT5 MEGALINE 5.3MM,LEONI					Bulkhead	Megaline 5.3mm Leoni	Leoni 20123 3103012	Cat 5	Grey	8 x AWG26									4	WHITE
1-2823446-7	M12 D-F-4 CRIMP ST CAT 7 RADOX 8.2MM,H&S					Bulkhead	Radox 8.2mm	H&S 84124806	Cat 7	Black	8 x AWG24									5	BLUE
1-2823446-8	M12 D-F-4 CRIMP CAT 5, 6.7MM, BELDEN					Straight	Belden 6.7mm	Belden BE43769	Cat 5	Black	8 x AWG22									6	WHITE
1-2823446-9	M12 D-F-4 CRIMP CAT 5 RADOX 6.6MM, LEONI					Straight	Leoni	Leoni 303195	Cat 5	Black	4 x AWG22									6	ORANGE
2-2823446-0	M12 D-F-4 CRIMP, CAT 7 8.4MM, TE					Straight	TE Cat 7 cable TECC0011C7	TE 2297799-1	Cat 7	Blue	8 x AWG24									5	YELLOW
2-2823446-1	M12 D-F-4 CRIMP CAT 5E 6.5MM, TE					Straight	TE Cat 5e cable TECC0026C5	TE 2320808-1	Cat 5e	Blue	4 x AWG22									6	ORANGE
2-2823446-2	M12 D-F-4 CRIM CAT5E ROCKBESTO TD-010301					Straight	Exane	Rockbestos TD-010301	Cat 5e	Black	4 x AWG24									5	WHITE

*TOOL SETTING MUST BE VALIDATED ON CABLE USED



- NOTES:
- ALL DIMENSIONS ARE FOR NOMINAL REFERENCE ONLY.
 - PACKAGING: 1 PIECE IN A BOX, CONTACTS INCLUDED.
 - THE CONNECTOR IS AS PER IEC 61076-2-101
 - TEMPERATURE RANGE: WITH CABLE BOOT -40°C TO +70°C. WITHOUT CABLE BOOT -40°C TO +85°C.
 - VIBRATION & SHOCK TEST CONDUCTED AS PER IEC 61373:CAT 1 CLASS B.
 - FIRE PERFORMANCE CONDUCTED AS PER EN45545-2 HL3 R22/R23 NFF16-101 AND NFF16-102.
 - SPECIAL CRIMP FLANGE SYSTEM WITH CRIMP INSERT AND CRIMP SLEEVE SECURES THE EFFECTIVE SHIELDING OVER THE LIFETIME WITH EXTREMELY HARD CONDITIONS.
 - VIBRATION AND TORSION-PROOF CABLE STRAIN RELIEF FOR ROUGH ENVIRONMENT ACHIEVED BY HEXAGONAL CRIMP OF THE CRIMP SLEEVE OF THE CRIMP FLANGE SYSTEM.
 - DEGREE OF PROTECTION: IP 67 (ONLY SCREW-LOCKED).
 - DATA TRANSMISSION RATE: 10/100 Mbit/s.
 - CURRENT RATING: 4A, NOMINAL VOLTAGE: 50V CONTACT RESISTANCE: ≤ 5 mΩ INSULATION RESISTANCE: ≥ 100 mΩ.
 - DURABILITY: ≥ 200 MATING CYCLE

THIS DRAWING IS A CONTROLLED DOCUMENT.		DWN 16APR2019 GOPALAKRISHNA HV	 TE Connectivity M12, D-CODED RAIL FEMALE 4 CRIMP CONNECTORS			
DIMENSIONS: mm		CHK 16APR2019 S EGBERT			NAME	
TOLERANCES UNLESS OTHERWISE SPECIFIED:		APVD 16APR2019 S EGBERT			PRODUCT SPEC	
0 PLC ± - 1 PLC ± - 2 PLC ± - 3 PLC ± - 4 PLC ± - ANGLES ± -		APPLICATION SPEC			108-156001	
MATERIAL	FINISH	WEIGHT	SIZE	CAGE CODE	DRAWING NO	RESTRICTED TO
-	-	-	A3	00779	C-2823446	-
CUSTOMER DRAWING			SCALE	SHEET	REV	
			NTS	1 OF 1	A4	

X-ON Electronics

Largest Supplier of Electrical and Electronic Components

Click to view similar products for [Circular Metric Connectors](#) category:

Click to view products by [TE Connectivity](#) manufacturer:

Other Similar products are found below :

[600X518037X](#) [6STD15PCR99B70A](#) [8R4000A16M020](#) [8R5000A16M005](#) [1200910002](#) [1203580030](#) [1200910008](#) [1200910011](#) [1300140094](#)
[130203-0054](#) [1300140026](#) [1300150099](#) [RF-12S1N8A90DU](#) [1-3637-600-5205](#) [1612618](#) [21036836414](#) [8R4006A16M010](#) [8R5006A18A120](#)
[1604232](#) [1R3006A20M005](#) [RF-12P1N8A80DU](#) [RF-12P1N8A90DU](#) [41-40011](#) [42-01015](#) [4-22279-4](#) [4-22281-1](#) [4-22284-9](#) [43-00113](#) [43-](#)
[01088](#) [43-01203](#) [41-40013](#) [42-00008](#) [43-00343](#) [43-01032](#) [43-01162](#) [43-10000](#) [600X518050X](#) [SACC-DSI-FS-5P-PG9-L180 SC](#)
[8R5006A16M020](#) [8R5006A16M005](#) [8R4000A16M010](#) [6-22279-3](#) [1605332](#) [N03FA03144](#) [1300140077](#) [43-01338](#) [XS2RD4265](#) [XS2R-](#)
[D426-1](#) [XS8A-0441](#) [859RD04-103R004](#)