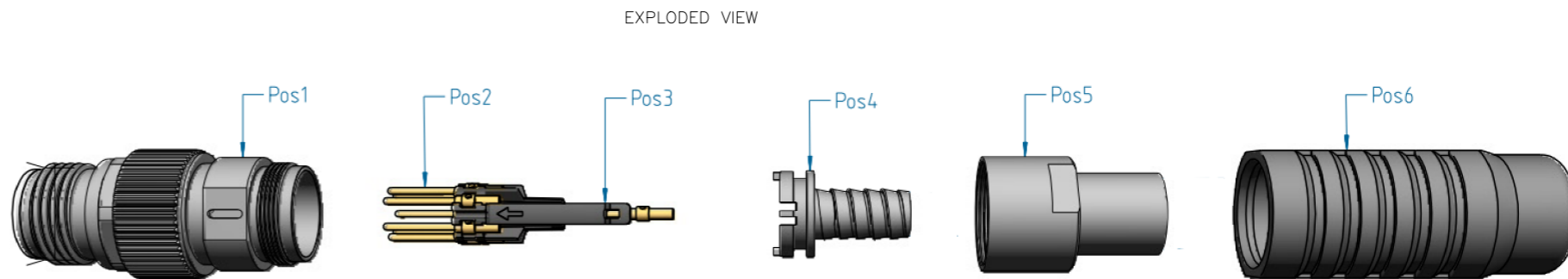
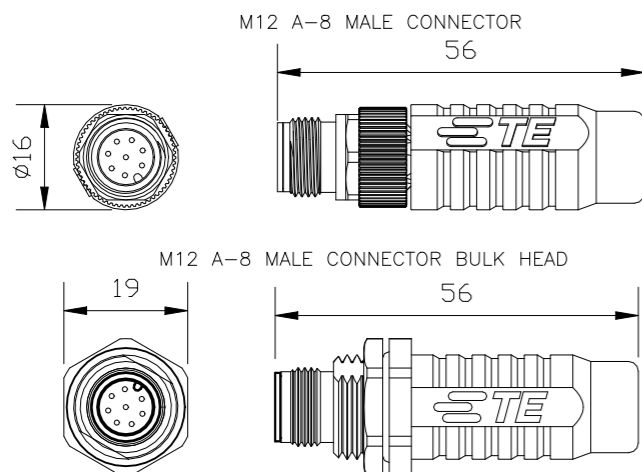


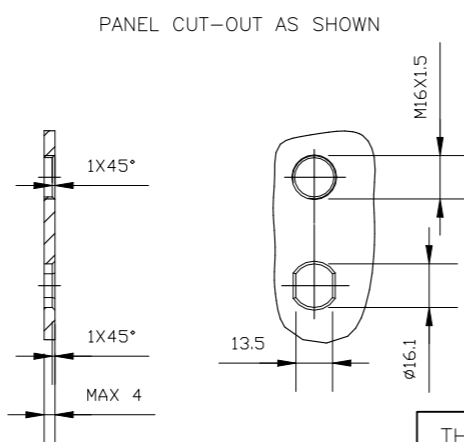
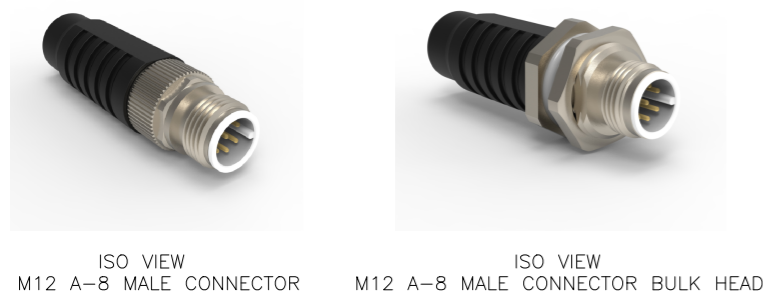
© 2021 TE Connectivity. All Rights Reserved.	
PROJECT	PRJ-14-000004825
PART NO	X-2823447-X
HV DESC	M12, A-CODED,RAIL MALE 8 CRIMP
CUSTOMER	GENERAL MARKET

REVISIONS					
P	LTR	DESCRIPTION	DATE	DWN	APVD
	A3	CRIMP TOOL INFORMATION UPDATED	13JAN2021	GK	SE



Cable preparation		Recommended Contact crimping tools		Recommended Jacket Crimping Tool	Crimp Flange insertion

TE PN	Description	Coding	Number of positions	Gender	Number of contacts included	Connector type	Applicable on cable	Manufacturer PN	Category	Color	Conductor size	Conductor stripping	Jacket cutting	Hand tool	Contact positioner	Crimp Selection number*	Crimp Tool	Crimp Die	Handle	Insert for handle	Connector assembly tool
1-2823447-1	M12 A-M-8 CRIMP ST ,CAT7 RADOX 8.2MM,H&S	A	8	Male	8	Straight	Radox 8.2mm	H&S 84124806	Cat 7	Black	8 x AWG24	734185-1	2119000-1	601966-1	1-2823582-8	5	2380757-2	BLUE	1-2823560-1	1-2823561-1	1-2823564-1
1-2823447-2	M12 A-M-8,CAT7 BETATRANS C-FLE8.8MM,LEON					Straight	Betatrans C-Fle 8.8mm	Leoni 302834 - 871433	Cat 7	Black	8 x AWG24							RED			
1-2823447-3	M12 A-M-8 CRI ST CAT 5 MEGALI 5.3MM,LEON					Straight	Megaline 5.3mm Leoni	Leoni 20123 3103012	Cat 5	Grey	8 x AWG26							WHITE			
1-2823447-4	M12 A-M-8 CRIMP ST CAT 7 RADOX 8.2MM,H&S					Straight	Radox 8.2mm	H&S 84124806	Cat 7	Black	8 x AWG24							BLUE			
1-2823447-5	M12 A- M 8 CAT 5MEGALINE 5.3MM,LEONI					Bulkhead	Megaline 5.3mm Leoni	Leoni 20123 3103012	Cat 5	Grey	8 x AWG26							WHITE			
1-2823447-6	M12 A-M-8 CR ST CAT 7 RADOX 8.2MM,H&S					Bulkhead	Radox 8.2mm	H&S 84124806	Cat 7	Black	8 x AWG24							BLUE			
1-2823447-9	M12 A-M-8 CR CAT 7, 8.4MM,TE 2297799-1					Bulkhead	TE Cat 7 cable TECC0011C7	TE 2297799-1	Cat 7	Blue	8 x AWG24							YELLOW			



*TOOL SETTING MUST BE VALIDATED ON CABLE USED

- NOTES:
- ALL DIMENSIONS ARE FOR NOMINAL REFERENCE ONLY.
 - PACKAGING: 1 PIECE IN A BOX, CONTACTS INCLUDED.
 - THE CONNECTOR IS AS PER IEC 61076-2-101
 - TEMPERATURE RANGE: WITH CABLE BOOT -40°C TO +70°C. WITHOUT CABLE BOOT -40°C TO +85°C.
 - VIBRATION & SHOCK TEST CONDUCTED AS PER IEC 61373:CAT 1 CLASS B.
 - FIRE PERFORMANCE CONDUCTED AS PER EN45545-2 HL3 R22/R23,NFF16-101 AND NFF16-102.
 - SPECIAL CRIMP FLANGE SYSTEM WITH CRIMP INSERT AND CRIMP SLEEVE SECURES THE EFFECTIVE SHIELDING OVER THE LIFETIME WITH EXTREMELY HARD CONDITIONS.
 - VIBRATION AND TORSION-PROOF CABLE STRAIN RELIEF FOR ROUGH ENVIRONMENT ACHIEVED BY HEXAGONAL CRIMP OF THE CRIMP SLEEVE OF THE CRIMP FLANGE SYSTEM.
 - DEGREE OF PROTECTION: IP 67 (ONLY SCREW-LOCKED).
 - DATA TRANSMISSION RATE: UP TO 10Gbit/S
 - CURRENT RATING: 2A, NOMINAL VOLTAGE: 30V, CONTACT RESISTANCE: ≤ 5 mΩ, INSULATION RESISTANCE: ≥ 100 mΩ.
 - DURABILITY: ≥ 200 MATING CYCLES

THIS DRAWING IS A CONTROLLED DOCUMENT.		DWN 16APR2019 GOPALAKRISHNA HV	 TE Connectivity			
		CHK 16APR2019 S EGBERT				
		APVD 16APR2019 S EGBERT				
		PRODUCT SPEC 108-156001				
DIMENSIONS: mm 		TOLERANCES UNLESS OTHERWISE SPECIFIED: 0 PLC ± - 1 PLC ± - 2 PLC ± - 3 PLC ± - 4 PLC ± - ANGLES ± -	NAME M12, A-CODED RAIL MALE 8 CRIMP CONNECTORS			
MATERIAL		FINISH	SIZE	CAGE CODE	DRAWING NO	RESTRICTED TO
			WEIGHT 24g	A3 00779	C-2823447	
CUSTOMER DRAWING			SCALE NTS	SHEET 1 OF 1	REV A3	

X-ON Electronics

Largest Supplier of Electrical and Electronic Components

Click to view similar products for [Circular Metric Connectors](#) category:

Click to view products by [TE Connectivity](#) manufacturer:

Other Similar products are found below :

[600X518037X](#) [6STD15PCR99B70A](#) [8R4000A16M020](#) [8R5000A16M005](#) [1200910002](#) [1203580030](#) [1200910008](#) [1200910011](#) [1300140094](#)
[130203-0054](#) [1300140026](#) [1300150099](#) [RF-12S1N8A90DU](#) [1-3637-600-5205](#) [1612618](#) [21036836414](#) [8R4006A16M010](#) [8R5006A18A120](#)
[1604232](#) [1R3006A20M005](#) [RF-12P1N8A80DU](#) [RF-12P1N8A90DU](#) [41-40011](#) [42-01015](#) [4-22279-4](#) [4-22281-1](#) [4-22284-9](#) [43-01088](#) [43-](#)
[01203](#) [41-40013](#) [42-00008](#) [43-00343](#) [43-01032](#) [43-01162](#) [43-10000](#) [600X518050X](#) [SACC-DSI-FS-5P-PG9-L180 SC](#) [8R5006A16M020](#)
[8R5006A16M005](#) [8R4000A16M010](#) [6-22279-3](#) [1605332](#) [N03FA03144](#) [1300140077](#) [43-01338](#) [XS2RD4265](#) [RSC 4/9](#) [XS2R-D426-1](#)
[XS8A-0441](#) [859RD04-103R004](#)