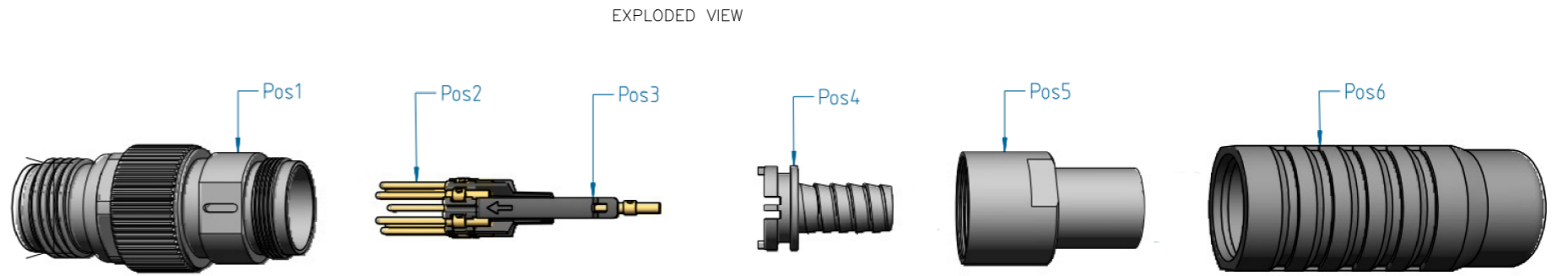
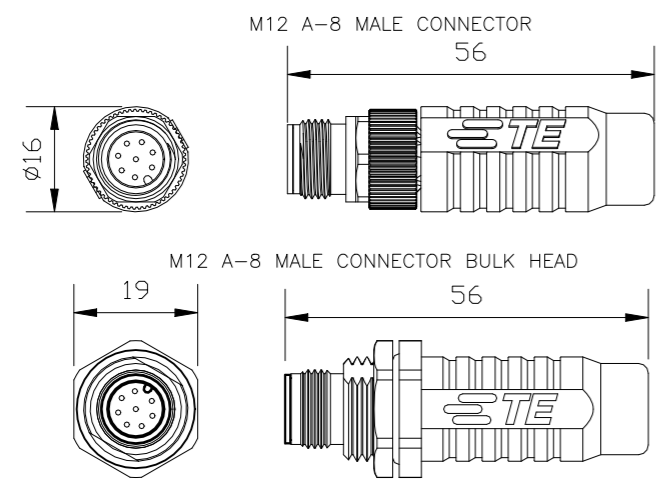


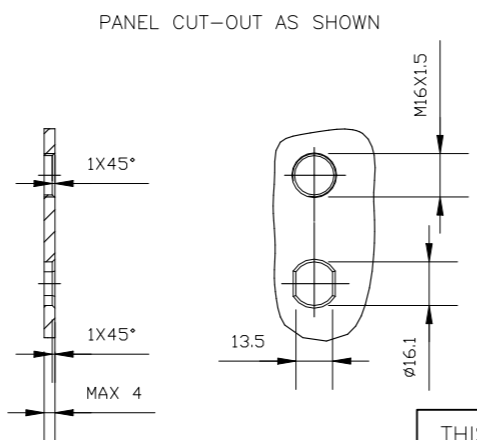
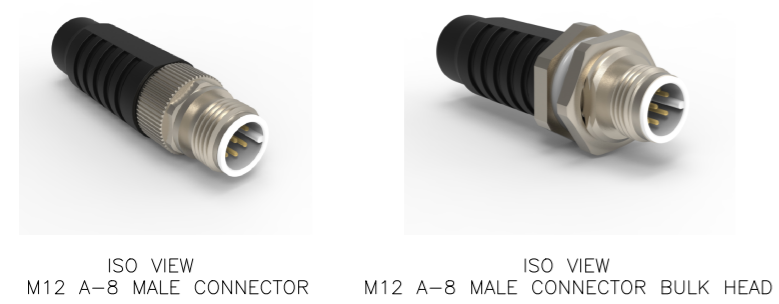
| | |
|--|--------------------------------|
| © 2021 TE Connectivity. All Rights Reserved. | |
| PROJECT | PRJ-14-000004825 |
| PART NO | X-2823447-X |
| HV DESC | M12, A-CODED,RAIL MALE 8 CRIMP |
| CUSTOMER | GENERAL MARKET |

| REVISIONS | | | | | |
|-----------|-----|--------------------------------|-----------|-----|------|
| P | LTR | DESCRIPTION | DATE | DWN | APVD |
| | A3 | CRIMP TOOL INFORMATION UPDATED | 13JAN2021 | GK | SE |



| Cable preparation | | Recommended Contact crimping tools | | Recommended Jacket Crimping Tool | Crimp Flange insertion |
|-------------------|--|------------------------------------|--|----------------------------------|------------------------|
| | | | | | |

| TE PN | Description | Coding | Number of positions | Gender | Number of contacts included | Connector type | Applicable on cable | Manufacturer PN | Category | Color | Conductor size | Conductor stripping | Jacket cutting | Hand tool | Contact positioner | Crimp Selection number* | Crimp Tool | Crimp Die | Handle | Insert for handle | Connector assembly tool |
|-------------|--|--------|---------------------|--------|-----------------------------|----------------|---------------------------|-----------------------|----------|-------|----------------|---------------------|----------------|-----------|--------------------|-------------------------|------------|-----------|-------------|-------------------|-------------------------|
| 1-2823447-1 | M12 A-M-8 CRIMP ST ,CAT7 RADOX 8.2MM,H&S | A | 8 | Male | 8 | Straight | Radox 8.2mm | H&S 84124806 | Cat 7 | Black | 8 x AWG24 | 734185-1 | 2119000-1 | 601966-1 | 1-2823582-8 | 5 | 2380757-2 | BLUE | 1-2823560-1 | 1-2823561-1 | 1-2823564-1 |
| 1-2823447-2 | M12 A-M-8,CAT7 BETATRANS C-FLE8.8MM,LEON | | | | | Straight | Betatrans C-Fle 8.8mm | Leoni 302834 - 871433 | Cat 7 | Black | 8 x AWG24 | | | | | | | RED | | | |
| 1-2823447-3 | M12 A-M-8 CRI ST CAT 5 MEGALI 5.3MM,LEON | | | | | Straight | Megaline 5.3mm Leoni | Leoni 20123 3103012 | Cat 5 | Grey | 8 x AWG26 | | | | | | | WHITE | | | |
| 1-2823447-4 | M12 A-M-8 CRIMP ST CAT 7 RADOX 8.2MM,H&S | | | | | Straight | Radox 8.2mm | H&S 84124806 | Cat 7 | Black | 8 x AWG24 | | | | | | | BLUE | | | |
| 1-2823447-5 | M12 A- M 8 CAT 5MEGALINE 5.3MM,LEONI | | | | | Bulkhead | Megaline 5.3mm Leoni | Leoni 20123 3103012 | Cat 5 | Grey | 8 x AWG26 | | | | | | | WHITE | | | |
| 1-2823447-6 | M12 A-M-8 CR ST CAT 7 RADOX 8.2MM,H&S | | | | | Bulkhead | Radox 8.2mm | H&S 84124806 | Cat 7 | Black | 8 x AWG24 | | | | | | | BLUE | | | |
| 1-2823447-9 | M12 A-M-8 CR CAT 7, 8.4MM,TE 2297799-1 | | | | | Bulkhead | TE Cat 7 cable TECC0011C7 | TE 2297799-1 | Cat 7 | Blue | 8 x AWG24 | | | | | | | YELLOW | | | |



*TOOL SETTING MUST BE VALIDATED ON CABLE USED

- NOTES:
- ALL DIMENSIONS ARE FOR NOMINAL REFERENCE ONLY.
 - PACKAGING: 1 PIECE IN A BOX, CONTACTS INCLUDED.
 - THE CONNECTOR IS AS PER IEC 61076-2-101
 - TEMPERATURE RANGE: WITH CABLE BOOT -40°C TO +70°C. WITHOUT CABLE BOOT -40°C TO +85°C.
 - VIBRATION & SHOCK TEST CONDUCTED AS PER IEC 61373:CAT 1 CLASS B.
 - FIRE PERFORMANCE CONDUCTED AS PER EN45545-2 HL3 R22/R23,NFF16-101 AND NFF16-102.
 - SPECIAL CRIMP FLANGE SYSTEM WITH CRIMP INSERT AND CRIMP SLEEVE SECURES THE EFFECTIVE SHIELDING OVER THE LIFETIME WITH EXTREMELY HARD CONDITIONS.
 - VIBRATION AND TORSION-PROOF CABLE STRAIN RELIEF FOR ROUGH ENVIRONMENT ACHIEVED BY HEXAGONAL CRIMP OF THE CRIMP SLEEVE OF THE CRIMP FLANGE SYSTEM.
 - DEGREE OF PROTECTION: IP 67 (ONLY SCREW-LOCKED).
 - DATA TRANSMISSION RATE: UP TO 10Gbit/S
 - CURRENT RATING: 2A, NOMINAL VOLTAGE: 30V, CONTACT RESISTANCE: ≤ 5 mΩ, INSULATION RESISTANCE: ≥ 100 mΩ.
 - DURABILITY: ≥ 200 MATING CYCLES

| | | | | | | | | | | | | | | | |
|--|-----|-----------------------------------|---|-----------------|----------------------|---------------|-----|-------|-----|-------|-----|-------|-----|--------|-----|
| THIS DRAWING IS A CONTROLLED DOCUMENT. | | DWN 16APR2019 GOPALAKRISHNA HV | TE Connectivity M12, A-CODED RAIL MALE 8 CRIMP CONNECTORS | | | | | | | | | | | | |
| DIMENSIONS: mm | | CHK 16APR2019 S EGBERT | | | NAME | | | | | | | | | | |
| TOLERANCES UNLESS OTHERWISE SPECIFIED: | | APVD 16APR2019 S EGBERT | | | 108-156001 | | | | | | | | | | |
| <table border="1"> <tr><td>0 PLC</td><td>± -</td></tr> <tr><td>1 PLC</td><td>± -</td></tr> <tr><td>2 PLC</td><td>± -</td></tr> <tr><td>3 PLC</td><td>± -</td></tr> <tr><td>4 PLC</td><td>± -</td></tr> <tr><td>ANGLES</td><td>± -</td></tr> </table> | | 0 PLC | | | ± - | 1 PLC | ± - | 2 PLC | ± - | 3 PLC | ± - | 4 PLC | ± - | ANGLES | ± - |
| 0 PLC | ± - | | | | | | | | | | | | | | |
| 1 PLC | ± - | | | | | | | | | | | | | | |
| 2 PLC | ± - | | | | | | | | | | | | | | |
| 3 PLC | ± - | | | | | | | | | | | | | | |
| 4 PLC | ± - | | | | | | | | | | | | | | |
| ANGLES | ± - | | | | | | | | | | | | | | |
| MATERIAL | | WEIGHT 24g | SIZE A3 | CAGE CODE 00779 | DRAWING NO C-2823447 | RESTRICTED TO | | | | | | | | | |
| CUSTOMER DRAWING | | | SCALE NTS | SHEET 1 OF 1 | REV A3 | | | | | | | | | | |

X-ON Electronics

Largest Supplier of Electrical and Electronic Components

Click to view similar products for [Circular Metric Connectors](#) category:

Click to view products by [TE Connectivity](#) manufacturer:

Other Similar products are found below :

[600X518037X](#) [6STD15PCR99B70A](#) [8R4000A16M020](#) [8R5000A16M005](#) [1200910002](#) [1203580030](#) [1200910008](#) [1200910011](#) [1300140094](#)
[130203-0054](#) [1300140026](#) [1300150099](#) [RF-12S1N8A90DU](#) [1-3637-600-5205](#) [1612618](#) [21036836414](#) [8R4006A16M010](#) [8R5006A18A120](#)
[1604232](#) [1R3006A20M005](#) [RF-12P1N8A80DU](#) [RF-12P1N8A90DU](#) [41-40011](#) [42-01015](#) [4-22279-4](#) [4-22281-1](#) [4-22284-9](#) [43-00113](#) [43-](#)
[01088](#) [43-01203](#) [41-40013](#) [42-00008](#) [43-00343](#) [43-01032](#) [43-01162](#) [43-10000](#) [600X518050X](#) [SACC-DSI-FS-5P-PG9-L180 SC](#)
[8R5006A16M020](#) [8R5006A16M005](#) [8R4000A16M010](#) [6-22279-3](#) [1605332](#) [N03FA03144](#) [1300140077](#) [43-01338](#) [XS2RD4265](#) [RSC 4/9](#)
[XS2R-D426-1](#) [XS8A-0441](#)