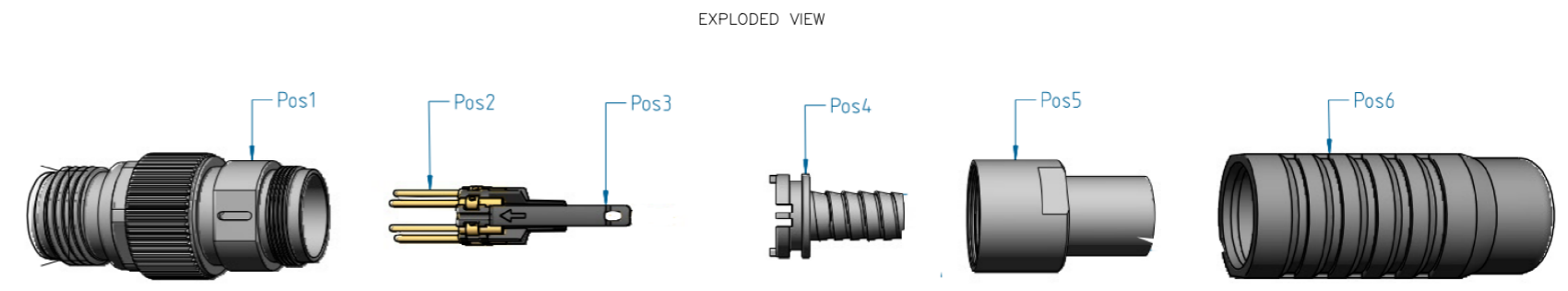
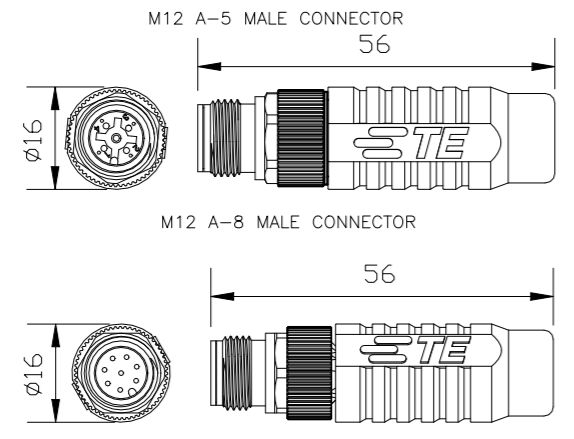


|  |                              |
|--|------------------------------|
| © 2020 TE Connectivity. All Rights Reserved. |                              |
| PROJECT                                      | PRJ-14-000004825             |
| PART NO                                      | X-2823449-X                  |
| HV DESC                                      | M12, A-CODED,RAIL MALE CRIMP |
| CUSTOMER                                     | GENERAL MARKET               |

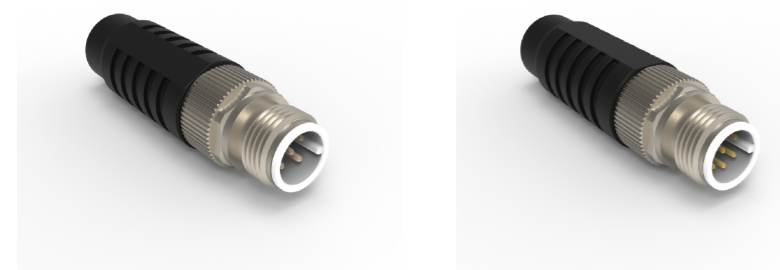
| REVISIONS |     |                                |           |       |
|-----------|-----|--------------------------------|-----------|-------|
| P         | LTR | DESCRIPTION                    | DATE      | APVD  |
|           | A5  | CRIMP TOOL INFORMATION UPDATED | 13JAN2021 | GK SE |



| Cable preparation |  | Recommended Contact crimping tools |  | Recommended Jacket Crimping Tools |  | Crimp Flange insertion |  |
|-------------------|--|------------------------------------|--|-----------------------------------|--|------------------------|--|
|                   |  |                                    |  |                                   |  |                        |  |

| TE PN       | Description                       | Coding | Number of positions | Gender | Number of contacts included | Connector type | Applicable on cable        | Manufacturer PN | Category | Color | Conductor size | Conductor stripping | Jacket cutting | Hand tool | Contact positioner | Crimp Selection number* | Crimp Tool | Tool Setting | Handle      | Insert for handle | Connector assembly tool |
|-------------|-----------------------------------|--------|---------------------|--------|-----------------------------|----------------|----------------------------|-----------------|----------|-------|----------------|---------------------|----------------|-----------|--------------------|-------------------------|------------|--------------|-------------|-------------------|-------------------------|
| 1-2823449-1 | M12 A-M-5, CAT 5 RADOX 6.6MM, H&S | A      | 5                   | Male   | 5                           | Straight       | Radox 6.6mm                | H&S 12584038    | Cat 5    | Black | 4 x AWG22      | 734185-1            | 2119000-1      | 601966-1  | 1-2823581-1        | 6                       | 2380757-2  | ORANGE       | 1-2823560-1 | 1-2823561-1       | 1-2823564-1             |
| 1-2823449-2 | M12 A-M-5, CAT 5 RADOX 7.3MM, H&S |        | 5                   |        | 4                           |                | Radox 7.3mm                | H&S 12568935    | Cat 5    | Black | 4 x AWG22      |                     |                |           | 1-2823581-1        | 6                       |            | GREEN        |             |                   |                         |
| 1-2823449-3 | M12 A-M-5, CAT 5 RADOX 8.3MM, H&S |        | 5                   |        | 4                           |                | Radox 8.3mm                | H&S 12585489    | Cat 5    | Black | 4 x AWG20      |                     |                |           | 1-2823581-1        | 7                       |            | BLUE         |             |                   |                         |
| 1-2823449-4 | M12 A-M-8, CAT 5 RADOX 7.3MM, H&S |        | 8                   |        | 8                           |                | Radox 7.3mm                | H&S 12568935    | Cat 5    | Black | 4 x AWG22      |                     |                |           | 1-2823582-8        | 5                       |            | GREEN        |             |                   |                         |
| 1-2823449-5 | M12 A-M-8, CAT 5 RADOX 6.6MM, H&S |        | 8                   |        | 8                           |                | Radox 6.6mm                | H&S 12584038    | Cat 5    | Black | 4 x AWG22      |                     |                |           | 1-2823582-8        | 5                       |            | ORANGE       |             |                   |                         |
| 1-2823449-6 | M12 A-M-8, CAT 7, 8.4 MM, TE      |        | 8                   |        | 8                           |                | TE Cat 7 cable TECC0011C7  | TE 2297799-1    | Cat 7    | Blue  | 8 x AWG24      |                     |                |           | 1-2823582-8        | 5                       |            | YELLOW       |             |                   |                         |
| 1-2823449-7 | M12 A-M-5, CAT 7, 8.4MM, TE       |        | 5                   |        | 5                           |                | TE Cat 7 cable TECC0011C7  | TE 2297799-1    | Cat 7    | Blue  | 8 x AWG24      |                     |                |           | 1-2823581-1        | 5                       |            | YELLOW       |             |                   |                         |
| 1-2823449-8 | M12 A-M-5, CAT 5E 6.5 MM, TE      |        | 5                   |        | 4                           |                | TE Cat 5e cable TECC0026C5 | TE 2320808-1    | Cat 5e   | Blue  | 4 x AWG22      |                     |                |           | 1-2823581-1        | 6                       |            | ORANGE       |             |                   |                         |

\*TOOL SETTING MUST BE VALIDATED ON CABLE USED



ISO VIEW  
M12 A-5 MALE CONNECTOR

ISO VIEW  
M12 A-8 MALE CONNECTOR

- NOTES:
- ALL DIMENSIONS ARE FOR NOMINAL REFERENCE ONLY.
  - PACKAGING: 1 PIECE IN A BOX, CONTACTS INCLUDED.
  - THE CONNECTOR IS AS PER IEC 61076-2-101
  - TEMPERATURE RANGE: WITH CABLE BOOT -40°C TO +70°C. WITHOUT CABLE BOOT -40°C TO +85°C.
  - VIBRATION & SHOCK TEST CONDUCTED AS PER IEC 61373:CAT 1 CLASS B.
  - FIRE PERFORMANCE CONDUCTED AS PER EN45545-2 HL3 R22/R23 NFF16-101 AND NFF16-102.
  - SPECIAL CRIMP FLANGE SYSTEM WITH CRIMP INSERT AND CRIMP SLEEVE SECURES THE EFFECTIVE SHIELDING OVER THE LIFETIME WITH EXTREMELY HARD CONDITIONS.
  - VIBRATION AND TORSION-PROOF CABLE STRAIN RELIEF FOR ROUGH ENVIRONMENT ACHIEVED BY HEXAGONAL CRIMP OF THE CRIMP SLEEVE OF THE CRIMP FLANGE SYSTEM.
  - DEGREE OF PROTECTION: IP 67 (ONLY SCREW-LOCKED).
  - DATA TRANSMISSION RATE: UP TO 10Gbit/S
  - CURRENT RATING: A8: 2A NOMINAL VOLTAGE: 30V, CONTACT RESISTANCE: ≤ 5 mΩ, INSULATION RESISTANCE: ≥ 100 mΩ.
  - CURRENT RATING: A5: 4A, NOMINAL VOLTAGE: 250V AC/ 50V DC, CONTACT RESISTANCE: ≤ 5 mΩ, INSULATION RESISTANCE: ≥ 100 mΩ
  - DURABILITY: ≥ 200 MATING CYCLES

|   |  |                                   |  |           |                  |               |
|---|--|-----------------------------------|--|-----------|------------------|---------------|
| THIS DRAWING IS A CONTROLLED DOCUMENT.                                      |  | DWN 16APR2019<br>GOPALAKRISHNA HV | TE Connectivity<br><b>M12, A-CODED<br/>RAIL MALE, CRIMP CONNECTORS</b> |           |                  |               |
| DIMENSIONS: mm  |  | CHK 16APR2019<br>S EGBERT         |  |           | NAME             |               |
| TOLERANCES UNLESS OTHERWISE SPECIFIED:                                      |  | APVD 16APR2019<br>S EGBERT        |  |           | PRODUCT SPEC     |               |
| 0 PLC ± -<br>1 PLC ± -<br>2 PLC ± -<br>3 PLC ± -<br>4 PLC ± -<br>ANGLES ± - |  | PRODUCT SPEC                      |  |           | APPLICATION SPEC |               |
| MATERIAL  |  | WEIGHT                            | SIZE   | CAGE CODE | DRAWING NO       | RESTRICTED TO |
| -   |  | -                                 | A3   | 00779     | C-2823449        | -             |
| CUSTOMER DRAWING  |  |                                   | SCALE  | SHEET     | REV              |               |
|   |  |                                   | NTS  | 1 OF 1    | A5               |               |

## X-ON Electronics

Largest Supplier of Electrical and Electronic Components

*Click to view similar products for [Circular Metric Connectors](#) category:*

*Click to view products by [TE Connectivity](#) manufacturer:*

Other Similar products are found below :

[600X518037X](#) [6STD15PCR99B70A](#) [8R4000A16M020](#) [8R5000A16M005](#) [1200910002](#) [1203580030](#) [1200910008](#) [1200910011](#) [1300140094](#)  
[130203-0054](#) [1300140026](#) [1300150099](#) [RF-12S1N8A90DU](#) [1-3637-600-5205](#) [1612618](#) [21036836414](#) [8R4006A16M010](#) [8R5006A18A120](#)  
[1604232](#) [1R3006A20M005](#) [RF-12P1N8A80DU](#) [RF-12P1N8A90DU](#) [41-40011](#) [42-01015](#) [4-22279-4](#) [4-22281-1](#) [4-22284-9](#) [43-01088](#) [43-](#)  
[01203](#) [41-40013](#) [42-00008](#) [43-00343](#) [43-01032](#) [43-01162](#) [43-10000](#) [600X518050X](#) [SACC-DSI-FS-5P-PG9-L180 SC](#) [8R5006A16M020](#)  
[8R5006A16M005](#) [8R4000A16M010](#) [6-22279-3](#) [1605332](#) [N03FA03144](#) [1300140077](#) [43-01338](#) [XS2RD4265](#) [RSC 4/9](#) [XS2R-D426-1](#)  
[XS8A-0441](#) [859RD04-103R004](#)