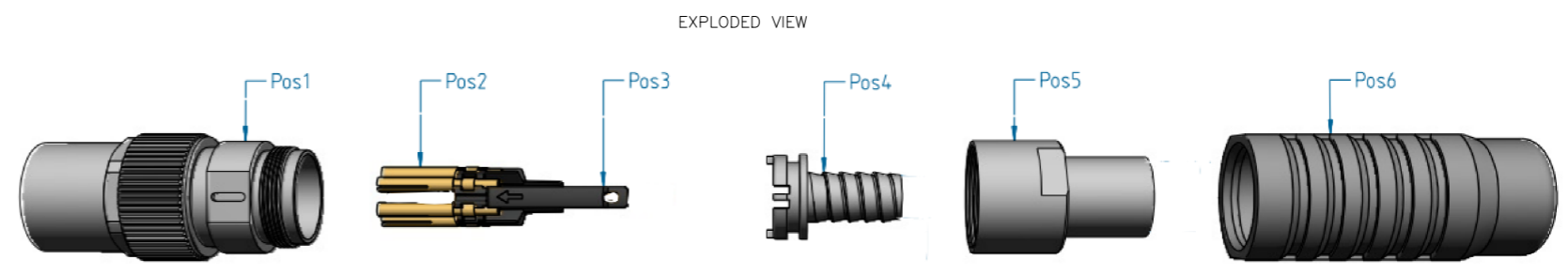
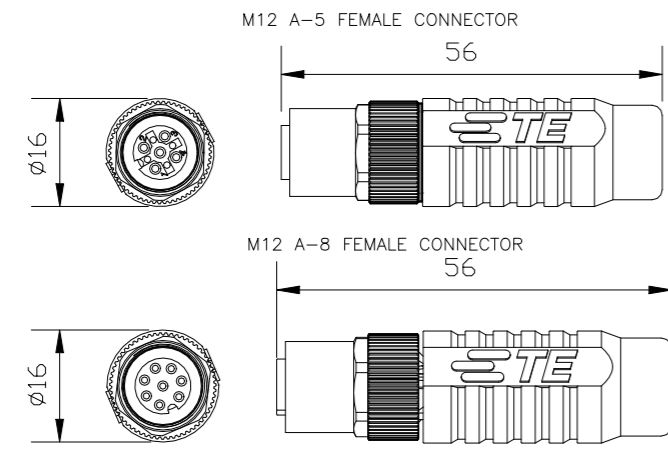


| | |
|--|--------------------------------|
| © 2021 TE Connectivity. All Rights Reserved. | |
| PROJECT | PRJ-14-000004825 |
| PART NO | X-2823450-X |
| HV DESC | M12, A-CODED,RAIL FEMALE CRIMP |
| CUSTOMER | GENERAL MARKET |

| REVISIONS | | | | |
|-----------|-----|--------------------------------|-----------|-------|
| P | LTR | DESCRIPTION | DATE | APVD |
| | A5 | CRIMP TOOL INFORMATION UPDATED | 18JAN2021 | GK SE |



| Cable preparation | Recommended Contact crimping tools | Recommended Jacket Crimping Tools | Crimp Flange insertion |
|-------------------|------------------------------------|-----------------------------------|------------------------|
| | | | |

| TE PN | Description | Coding | Number of positions | Gender | Number of contacts included | Connector type | Applicable on cable | Manufacturer PN | Category | Color | Conductor size | Conductor stripping | Jacket cutting | Hand tool | Contact positioner | Crimp Selection number* | Crimp Tool | Tool Setting | Handle | Insert for handle | Connector assembly tool |
|-------------|-----------------------------------|--------|---------------------|--------|-----------------------------|----------------|---------------------|-----------------|----------|-----------|----------------|---------------------|----------------|-----------|--------------------|-------------------------|------------|--------------|-------------|-------------------|-------------------------|
| 1-2823450-1 | M12 A-F-5, CAT 5 RADOX 6.6MM, H&S | A | 5 | Female | 5 | Straight | Radox 6.6mm | H&S 12584038 | Cat 5 | Black | 4 x AWG22 | 734185-1 | 2119000-1 | 601966-1 | 1-2823581-1 | 6 | 2380757-2 | ORANGE | 1-2823560-1 | 1-2823561-1 | 1-2823564-1 |
| 1-2823450-2 | M12 A-F-5, CAT 5 RADOX 7.3MM, H&S | | 5 | | Radox 7.3mm | | H&S 12568935 | Cat 5 | Black | 4 x AWG22 | 1-2823581-1 | | | | 6 | GREEN | | | | | |
| 1-2823450-3 | M12 A-F-5, CAT 5 RADOX 8.3MM, H&S | | 5 | | Radox 8.3mm | | H&S 12585489 | Cat 5 | Black | 4 x AWG20 | 1-2823581-1 | | | | 7 | BLUE | | | | | |
| 1-2823450-4 | M12 A-F-8, CAT 5 RADOX 7.3MM, H&S | | 8 | | Radox 7.3mm | | H&S 12568935 | Cat 5 | Black | 4 x AWG22 | 1-2823582-9 | | | | 5 | GREEN | | | | | |
| 1-2823450-5 | M12 A-F-8, CAT 5 RADOX 6.6MM, H&S | | 8 | | Radox 6.6mm | | H&S 12584038 | Cat 5 | Black | 4 x AWG22 | 1-2823582-9 | | | | 5 | ORANGE | | | | | |
| 1-2823450-6 | M12 A-F-8, CAT 7, 8.4MM, TE | | 8 | | TE Cat 7 cable TECC0011C7 | | TE 2297799-1 | Cat 7 | Blue | 8 x AWG24 | 1-2823582-9 | | | | 5 | YELLOW | | | | | |
| 1-2823450-7 | M12 A-F-5, CAT 7, 8.4MM, TE | | 5 | | TE Cat 7 cable TECC0011C7 | | TE 2297799-1 | Cat 7 | Blue | 8 x AWG24 | 1-2823581-1 | | | | 5 | YELLOW | | | | | |
| 1-2823450-8 | M12 A-F-5, CAT 5E, 6.5 MM, TE | | 5 | | TE Cat 5e cable TECC0026C5 | | TE 2320808-1 | Cat 5e | Blue | 4 x AWG22 | 1-2823581-1 | | | | 6 | ORANGE | | | | | |

*TOOL SETTING MUST BE VALIDATED ON CABLE USED



ISO VIEW
M12 A-5 FEMALE CONNECTOR

ISO VIEW
M12 A-8 FEMALE CONNECTOR

- NOTES:
- ALL DIMENSIONS ARE FOR NOMINAL REFERENCE ONLY.
 - PACKAGING: 1 PIECE IN A BOX, CONTACTS INCLUDED.
 - THE CONNECTOR IS AS PER IEC 61076-2-101
 - TEMPERATURE RANGE: WITH CABLE BOOT -40°C TO +70°C. WITHOUT CABLE BOOT -40°C TO +85°C.
 - VIBRATION & SHOCK TEST CONDUCTED AS PER IEC 61373:CAT 1 CLASS B.
 - FIRE PERFORMANCE CONDUCTED AS PER EN45545-2 HL3 R22/R23 NFF16-101 AND NFF16-102.
 - SPECIAL CRIMP FLANGE SYSTEM WITH CRIMP INSERT AND CRIMP SLEEVE SECURES THE EFFECTIVE SHIELDING OVER THE LIFETIME WITH EXTREMELY HARD CONDITIONS.
 - VIBRATION AND TORSION-PROOF CABLE STRAIN RELIEF FOR ROUGH ENVIRONMENT ACHIEVED BY HEXAGONAL CRIMP OF THE CRIMP SLEEVE OF THE CRIMP FLANGE SYSTEM.
 - DEGREE OF PROTECTION: IP 67 (ONLY SCREW-LOCKED).
 - DATA TRANSMISSION RATE: UP TO 10Gbit/s
 - CURRENT RATING: A8: 2A NOMINAL VOLTAGE: 30V, CONTACT RESISTANCE: ≤ 5 mΩ, INSULATION RESISTANCE: ≥ 100 mΩ.
 - CURRENT RATING: A5: 4A, NOMINAL VOLTAGE: 250V AC/ 50V DC, CONTACT RESISTANCE: ≤ 5 mΩ, INSULATION RESISTANCE: ≥ 100 mΩ.
 - DURABILITY: ≥ 200 MATING CYCLES

| SL. NO. | DESCRIPTION | MATERIAL | QTY | UNITS |
|---------|-------------------------|--------------------------------|-----------|-------|
| 6 | GRIP BOOT | TPE WITH S3 & SR2 (DIN 5510-2) | 1 | PC |
| 5 | BACK NUT & SLEEVE | Cu ALLOY Ni-PLATED | 1 | PC |
| 4 | CRIMP INSERT | Cu ALLOY Ni-PLATED | 1 | PC |
| 3 | CONTACT HOLDER | THERMOPLAST | 1 | PC |
| 2 | CRIMP CONTACTS MACHINED | Cu ALLOY Ni-Au PLATED | SEE TABLE | PC |
| 1 | FRONT HOUSING | Cu ALLOY Ni-PLATED | 1 | PC |

| | | | | | | | | | | | | | | | |
|--|--------|-----------------------------------|--|-----------|--------------|---------------|-----|-------|-----|-------|-----|-------|-----|--------|-----|
| THIS DRAWING IS A CONTROLLED DOCUMENT. | | DWN 16APR2019 GOPALAKRISHNA HV | TE Connectivity M12, A-CODED RAIL FEMALE, CRIMP CONNECTORS | | | | | | | | | | | | |
| DIMENSIONS: mm | | CHK 16APR2019 S EGBERT | | | NAME | | | | | | | | | | |
| TOLERANCES UNLESS OTHERWISE SPECIFIED: | | APVD 16APR2019 S EGBERT | | | PRODUCT SPEC | | | | | | | | | | |
| <table border="1"> <tr><td>0 PLC</td><td>± -</td></tr> <tr><td>1 PLC</td><td>± -</td></tr> <tr><td>2 PLC</td><td>± -</td></tr> <tr><td>3 PLC</td><td>± -</td></tr> <tr><td>4 PLC</td><td>± -</td></tr> <tr><td>ANGLES</td><td>± -</td></tr> </table> | | 0 PLC | | | ± - | 1 PLC | ± - | 2 PLC | ± - | 3 PLC | ± - | 4 PLC | ± - | ANGLES | ± - |
| 0 PLC | ± - | | | | | | | | | | | | | | |
| 1 PLC | ± - | | | | | | | | | | | | | | |
| 2 PLC | ± - | | | | | | | | | | | | | | |
| 3 PLC | ± - | | | | | | | | | | | | | | |
| 4 PLC | ± - | | | | | | | | | | | | | | |
| ANGLES | ± - | | | | | | | | | | | | | | |
| MATERIAL | FINISH | WEIGHT | SIZE | CAGE CODE | DRAWING NO | RESTRICTED TO | | | | | | | | | |
| - | - | - | A3 | 00779 | C-2823450 | - | | | | | | | | | |
| CUSTOMER DRAWING | | | SCALE | SHEET | REV | | | | | | | | | | |
| | | | NTS | 1 OF 1 | A5 | | | | | | | | | | |

X-ON Electronics

Largest Supplier of Electrical and Electronic Components

Click to view similar products for [Circular Metric Connectors](#) category:

Click to view products by [TE Connectivity](#) manufacturer:

Other Similar products are found below :

[600X518037X](#) [6STD15PCR99B70A](#) [8R4000A16M020](#) [8R5000A16M005](#) [1200910002](#) [1203580030](#) [1200910008](#) [1200910011](#) [1300140094](#)
[130203-0054](#) [1300140026](#) [1300150099](#) [RF-12S1N8A90DU](#) [1612618](#) [21036836414](#) [8R4006A16M010](#) [1604232](#) [1R3006A20M005](#) [RF-](#)
[12P1N8A80DU](#) [RF-12P1N8A90DU](#) [41-40011](#) [42-00006](#) [42-01015](#) [4-22279-4](#) [4-22281-1](#) [4-22284-9](#) [43-00113](#) [43-01088](#) [43-01203](#) [41-](#)
[40013](#) [42-00008](#) [43-00343](#) [43-01032](#) [43-01162](#) [43-01173](#) [43-10000](#) [XS3P-M421-2](#) [600X518050X](#) [SACC-DSI-FS-5P-PG9-L180 SC](#)
[8R5006A16M020](#) [8R5006A16M005](#) [8R4000A16M010](#) [6-22279-3](#) [1605332](#) [N03FA03144](#) [1300140077](#) [43-16213](#) [43-01338](#) [XS2RD4265](#)
[XS2R-D426-1](#)