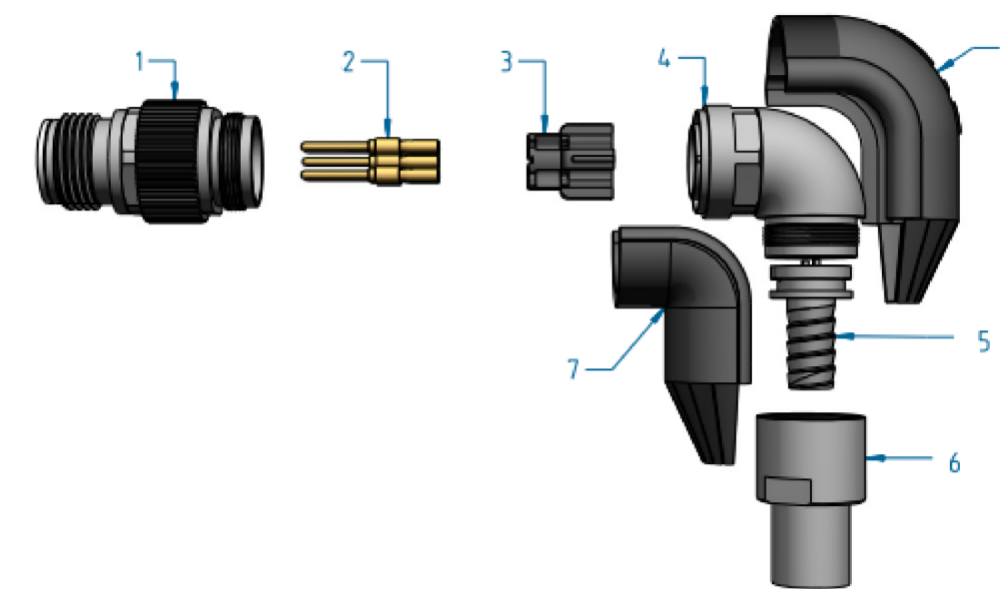
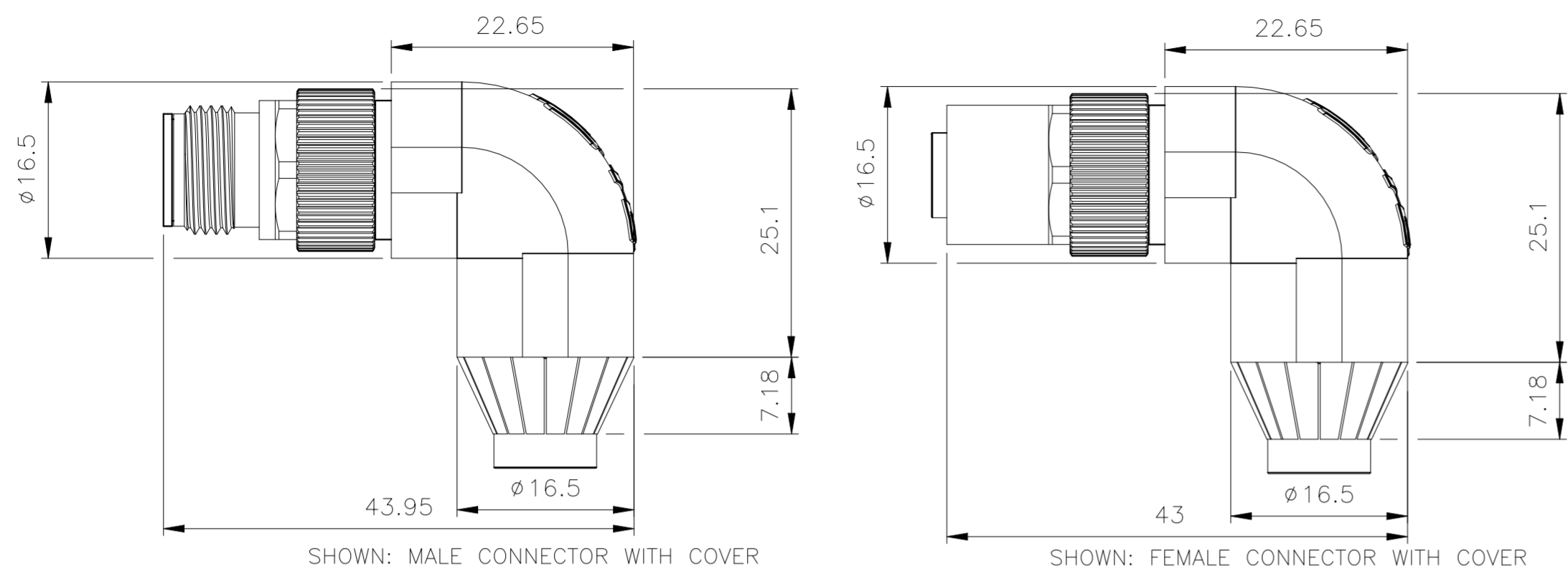


© 2021 TE Connectivity. All Rights Reserved.	
PROJECT	PRJ-14-000004825
PART NO	X-2823587-X
HV DESC	M12 A-90 DEGREE, M-5 AND M-8 FIELD INSTALLABLE CONNECTORS
CUSTOMER	GENERAL MARKET

REVISIONS					
P	LTR	DESCRIPTION	DATE	DWN	APVD
A2		CRIMP TOOL INFORMATION UPDATED	18JAN2021	GK	SE



SHOWN: MALE CONNECTOR WITH COVER

TE PN	Description	Coding	Number of positions	Gender	Number of contacts included	Connector type	Applicable on cable	Manufacturer PN	Category	Color	Conductor size	Cable preparation		Recommended Contact crimping tools		Recommended Jacket Crimping Tools		Crimp Flange insertion			
												Conductor stripping	Jacket cutting	Hand tool	Contact positioner	Crimp Selection number*	Crimp Tool	Tool Setting	Handle	Insert for handle	Connector assembly tool
1-2823587-1	M12 A-90 DEGREE-M-5, CAT 5E 6.5MM, TE	A	5	Male	5	Right Angle	TE Cat 5e cable TECC0026C5	TE 2320808-1	Cat 5e	Blue	4 x AWG22	734185-1	2119000-1	601966-1	1-2823582-1	6	2380757-2	ORANGE	1-2823560-1	1-2823561-1	1-2823564-1
1-2823587-2	M12 A-90 DEGREE-F-5, CAT 5E 6.5MM, TE		5	Female	5	Right Angle	TE Cat 5e cable TECC0026C5	TE 2320808-1	Cat 5e	Blue	4 x AWG22										
1-2823587-3	M12 A-90 DEGREE-M-8, CAT 7 8.4MM, TE		8	Male	8	Right Angle	TE Cat 7 cable TECC0011C7	TE 2297799-1	Cat 7	Blue	8 x AWG24										
1-2823587-4	M12 A-90 DEGREE-F-8, CAT 7 8.4MM, TE		8	Female	8	Right Angle	TE Cat 7 cable TECC0011C7	TE 2297799-1	Cat 7	Blue	8 x AWG24										
1-2823587-5	M12 A90 DEG-M-4, ROCKBESTOS TD-003553		4	Male	4	Right Angle	Exane	Rockbestos TD-003553	N/A	Dark Grey	4 x AWG18										
1-2823587-6	M12 A90 DEG-F-4, ROCKBESTOS TD-003553		4	Female	4	Right Angle	Exane	Rockbestos TD-003553	N/A	Dark Grey	4 x AWG18										
1-2823587-7	M12 A90 DEG-M-8, GENERAL CABLE 443230		8	Male	8	Right Angle	General Cable	General cable 443230	Cat 5e	Black	8 x AWG24										
1-2823587-8	M12 A90 DEG-F-8, GENERAL CABLE 443230		8	Female	8	Right Angle	General Cable	General cable 443230	Cat 5e	Black	8 x AWG24										

*TOOL SETTING MUST BE VALIDATED ON CABLE USED



ISO VIEW
M12 A-5 90 DEGREE
MALE CONNECTOR



ISO VIEW
M12 A-5 90 DEGREE
FEMALE CONNECTOR



ISO VIEW
M12 A-8 90 DEGREE
MALE CONNECTOR



ISO VIEW
M12 A-8 90 DEGREE
FEMALE CONNECTOR

NOTES:

- ALL DIMENSIONS ARE FOR NOMINAL REFERENCE ONLY.
- PACKAGING: 1 PIECE IN A BOX, CONTACTS INCLUDED.
- THE CONNECTOR IS AS PER IEC 61076-2-101.
- TEMPERATURE RANGE: WITH CABLE BOOT -40°C TO +70°C. WITHOUT CABLE BOOT -40°C TO +85°C.
- VIBRATION & SHOCK TEST CONDUCTED AS PER IEC 61373:CAT1 CLASS B.
- FIRE PERFORMANCE CONDUCTED AS PER EN45545-2 HL3 R22/R23, NFF16-101 AND NFF16-102.
- SPECIAL CRIMP FLANGE SYSTEM WITH CRIMP INSERT AND CRIMP SLEEVE SECURES THE EFFECTIVE SHIELDING OVER THE LIFETIME WITH EXTREMELY HARD CONDITIONS.
- VIBRATION AND TORSION-PROOF CABLE STRAIN RELIEF FOR ROUGH ENVIRONMENT ACHIEVED BY HEXAGONAL CRIMP OF THE CRIMP SLEEVE OF THE CRIMP FLANGE SYSTEM.
- DEGREE OF PROTECTION: IP 67 (ONLY SCREW-LOCKED).
- DATA TRANSMISSION RATE: 10/100 Mbit/s.
- CURRENT RATING: A-8: 2A, NOMINAL VOLTAGE: 30V, CONTACT RESISTANCE: ≤ 5 mΩ, INSULATION RESISTANCE: ≥ 100 mΩ.
- CURRENT RATING: A-4/A-5: 4A, NOMINAL VOLTAGE: 250VAC/50VDC, CONTACT RESISTANCE: ≤ 5 mΩ, INSULATION RESISTANCE: ≥ 100 mΩ.
- DURABILITY: ≥ 200 MATING CYCLES

ITEM	DESCRIPTION	MATERIAL	QTY	UNITS
8	TOP COVER	THERMOPLAST	1	PC
7	BOTTOM COVER	THERMOPLAST	1	PC
6	BACK NUT & CRIMP SLEEVE	Cu ALLOY Ni-PLATED	1	PC
5	CRIMP FLANGE	Cu ALLOY Ni-PLATED	1	PC
4	90° ELBOW	Cu ALLOY Ni-PLATED	1	PC
3	CONTACT HOLDER	THERMOPLAST	1	PC
2	CRIMP CONTACTS MACHINED	Cu ALLOY Au-PLATED	5	PC
1	FRONT HOUSING	Cu ALLOY Ni-PLATED	1	PC

THIS DRAWING IS A CONTROLLED DOCUMENT.		DWN GOPALAKRISHNA HV 16APR2019	TE Connectivity	
DIMENSIONS: mm		CHK S EGBERT 16APR2019	M12 A-90 DEGREE, A-CODED M-5, M-8, F-5 AND F8 CONNECTORS	
TOLERANCES UNLESS OTHERWISE SPECIFIED:		APVD S EGBERT 16APR2019	NAME	
0 PLC ± -		PRODUCT SPEC	108-156001	
1 PLC ± -		APPLICATION SPEC	SCALE	
2 PLC ± -		SIZE		CAGE CODE
3 PLC ± -		A2		00779
4 PLC ± -		DRAWING NO		RESTRICTED TO
ANGLES ± -		C=2823587		1 OF 1
MATERIAL		WEIGHT		REV
FINISH		CUSTOMER DRAWING		A2

X-ON Electronics

Largest Supplier of Electrical and Electronic Components

Click to view similar products for [Circular Metric Connectors](#) category:

Click to view products by [TE Connectivity](#) manufacturer:

Other Similar products are found below :

[600X518037X](#) [6STD15PCR99B70A](#) [8R4000A16M020](#) [8R5000A16M005](#) [1200910002](#) [1203580030](#) [1200910008](#) [1200910011](#) [1300140094](#)
[130203-0054](#) [1300140026](#) [1300150099](#) [RF-12S1N8A90DU](#) [1-3637-600-5205](#) [1612618](#) [21036836414](#) [8R4006A16M010](#) [8R5006A18A120](#)
[1604232](#) [1R3006A20M005](#) [RF-12P1N8A80DU](#) [RF-12P1N8A90DU](#) [41-40011](#) [42-01015](#) [4-22279-4](#) [4-22281-1](#) [4-22284-9](#) [43-00113](#) [43-](#)
[01088](#) [43-01203](#) [41-40013](#) [42-00008](#) [43-00343](#) [43-01032](#) [43-01162](#) [43-10000](#) [600X518050X](#) [SACC-DSI-FS-5P-PG9-L180 SC](#)
[8R5006A16M020](#) [8R5006A16M005](#) [8R4000A16M010](#) [6-22279-3](#) [1605332](#) [N03FA03144](#) [1300140077](#) [43-01338](#) [XS2RD4265](#) [RSC 4/9](#)
[XS2R-D426-1](#) [XS8A-0441](#)