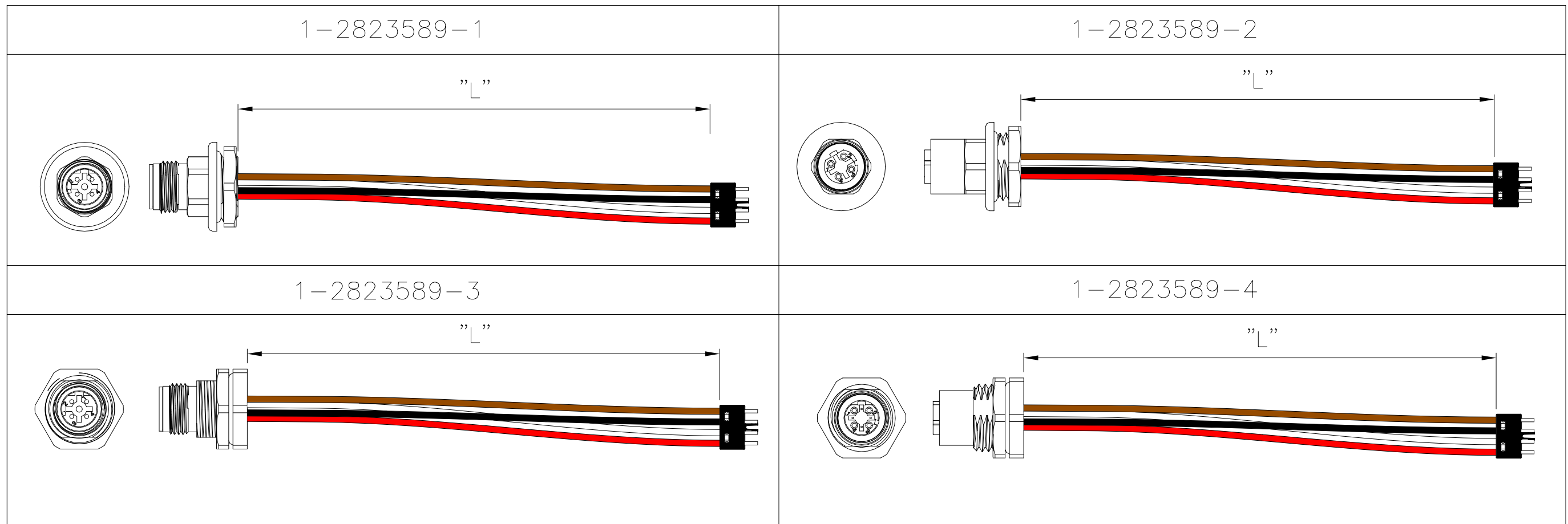


| | |
|----------|--------------------------------|
| PROJECT | PRJ-14-000004825 |
| PART NO | X-2823589-X |
| HV DESC | M12, D-CODED, PCB MOUNT CABLES |
| CUSTOMER | GENERAL MARKET |

| P | LTR | DESCRIPTION | DATE | DWN | APVD |
|---|-----|---------------------------|-----------|-----|------|
| | A1 | ADDED MISSING INFORMATION | 29SEP2020 | GK | SE |

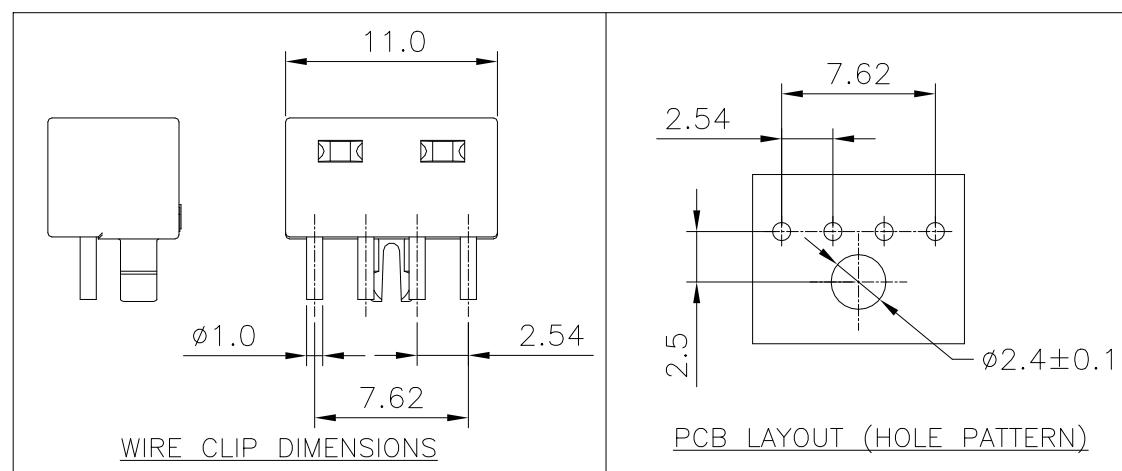
D-CODE 4 POSITION



| PART NUMBER | DESCRIPTION | CODE TYPE AND PANEL MOUNTING | CABLE LENGTH "L" |
|-------------|--|------------------------------|------------------|
| 1-2823589-1 | M12 D-CODE 4, MALE FRONT PANEL MOUNT | D4 MALE, FRONT MOUNTED | 80mm |
| 1-2823589-2 | M12 D-CODE 4, FEMALE FRONT PANEL MOUNT | D4 FEMALE, FRONT MOUNTED | 80mm |
| 1-2823589-3 | M12 D-CODE 4, MALE REAR PANEL MOUNT | D4 MALE, REAR MOUNTED | 80mm |
| 1-2823589-4 | M12 D-CODE 4, FEMALE REAR PANEL MOUNT | D4 FEMALE, REAR MOUNTED | 80mm |

| A5 PIN# | COLOR | CLIP PIN# |
|---------|-------|-----------|
| 1 | BROWN | 1 |
| 2 | BLACK | 2 |
| 3 | WHITE | 3 |
| 4 | RED | 4 |

PIN ASSIGNMENTS D4 CODING

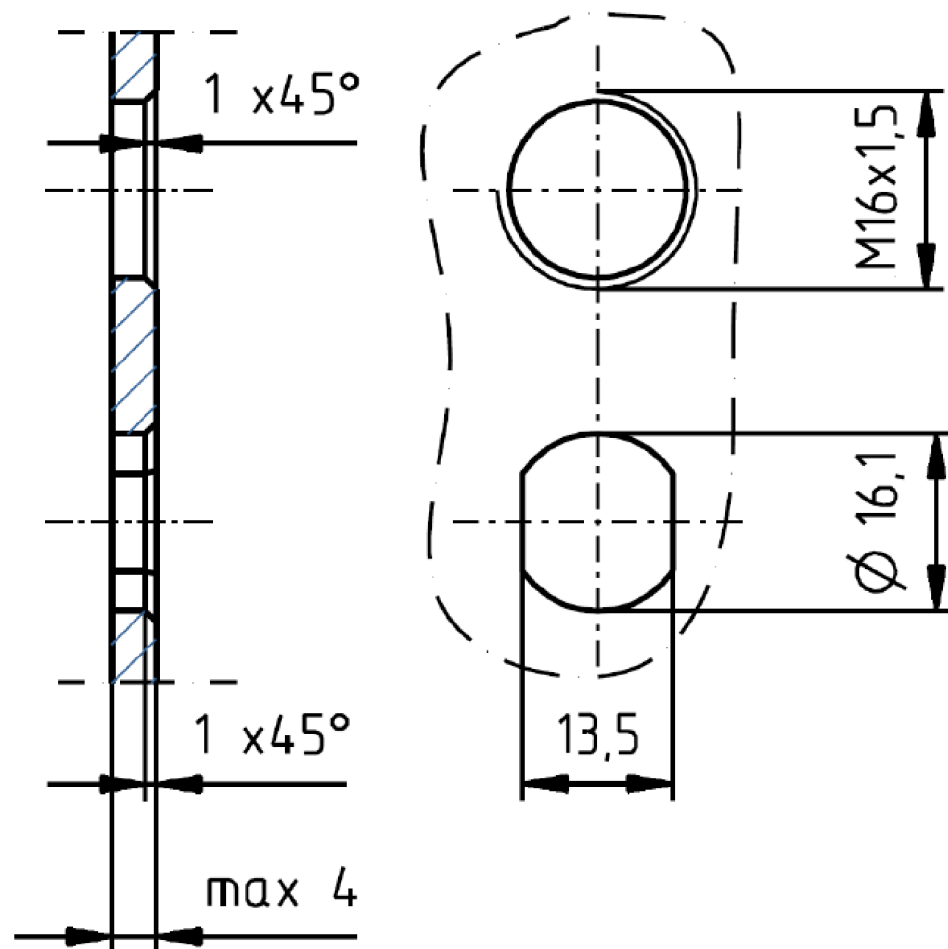


REFER PAGE-2 FOR PANEL CUT-OUT INFORMATION

| | | | | |
|--|--|---|----------------------------|---------------------------------------|
| THIS DRAWING IS A CONTROLLED DOCUMENT. | | DWN | 16SEP2020 | TE Connectivity |
| | | CHK | GOPALAKRISHNA HV 16SEP2020 | |
| DIMENSIONS: mm | | TOLERANCES UNLESS OTHERWISE SPECIFIED: | | NAME |
| | | 0 PLC ± - 1 PLC ± - 2 PLC ± - 3 PLC ± - 4 PLC ± - ANGLES ± - | | |
| MATERIAL | | FINISH | | M12, D-CODED PCB MOUNT CABLES - |
| - | | - | | |
| APVD | | 16SEP2020 | | SIZE |
| S EGBERT | | S EGBERT | | CAGE CODE |
| PRODUCT SPEC | | APPLICATION SPEC | | DRAWING NO |
| - | | - | | A3 00779 |
| - | | - | | RESTRICTED TO |
| - | | - | | SCALE |
| - | | - | | NTS |
| - | | - | | SHEET |
| - | | - | | 1 OF 2 |
| - | | - | | REV |
| - | | - | | A1 |

REVISIONS

| P | LTR | DESCRIPTION | DATE | DWN | APVD |
|---|-----|-------------|------|-----|------|
| - | - | SEE SHEET 1 | - | - | - |



PANEL CUT-OUT INFORMATION

| | | | | |
|--|--|---|--|-----------------------|
| THIS DRAWING IS A CONTROLLED DOCUMENT. | | DWN GOPALAKRISHNA HV 16SEP2020 | | |
| | | CHK S EGBERT 16SEP2020 | | |
| | | APVD S EGBERT 16SEP2020 | NAME M12, D-CODED PCB MOUNT CABLES | |
| DIMENSIONS: mm | | TOLERANCES UNLESS OTHERWISE SPECIFIED: 0 PLC ± - 1 PLC ± - 2 PLC ± - 3 PLC ± - 4 PLC ± - ANGLES ± - | | PRODUCT SPEC - |
| MATERIAL - | | FINISH - | | APPLICATION SPEC - |
| | | WEIGHT - | | RESTRICTED TO - |
| CUSTOMER DRAWING | | | SIZE A3 | CAGE CODE 00779 |
| | | | DRAWING NO C-2823589 | SCALE NTS |
| | | | SHEET 2 OF 2 | REV A1 |

X-ON Electronics

Largest Supplier of Electrical and Electronic Components

Click to view similar products for [Sensor Cables / Actuator Cables](#) category:

Click to view products by [TE Connectivity](#) manufacturer:

Other Similar products are found below :

[60963](#) [60964](#) [703000D02F2002](#) [703001D02F0602](#) [703001D02F300](#) [704000D02F120](#) [773032K02F030](#) [802027107404-1](#) [802027213811-1](#)
[804001A09M150](#) [805001A09M0502](#) [84914-0235](#) [84914-0237](#) [885030A09M020](#) [1200651332](#) [1200651713](#) [1200660844](#) [1200660845](#)
[1200661173](#) [1200680071](#) [1200720053](#) [1200720081](#) [1200720099](#) [1200720217](#) [1200800231](#) [1200860125](#) [1200870123](#) [1200980102](#)
[1200650267](#) [1200650298](#) [1200660183](#) [1200660782](#) [1200660849](#) [1200661295](#) [1200661297](#) [1200661342](#) [1200661343](#) [1200670080](#)
[1200670220](#) [1200680331](#) [1200720252](#) [1200730184](#) [1200860344](#) [1200870359](#) [1200870643](#) [1200980008](#) [1200980031](#) [1210502211](#)
[1210400542](#) [1211810021](#)