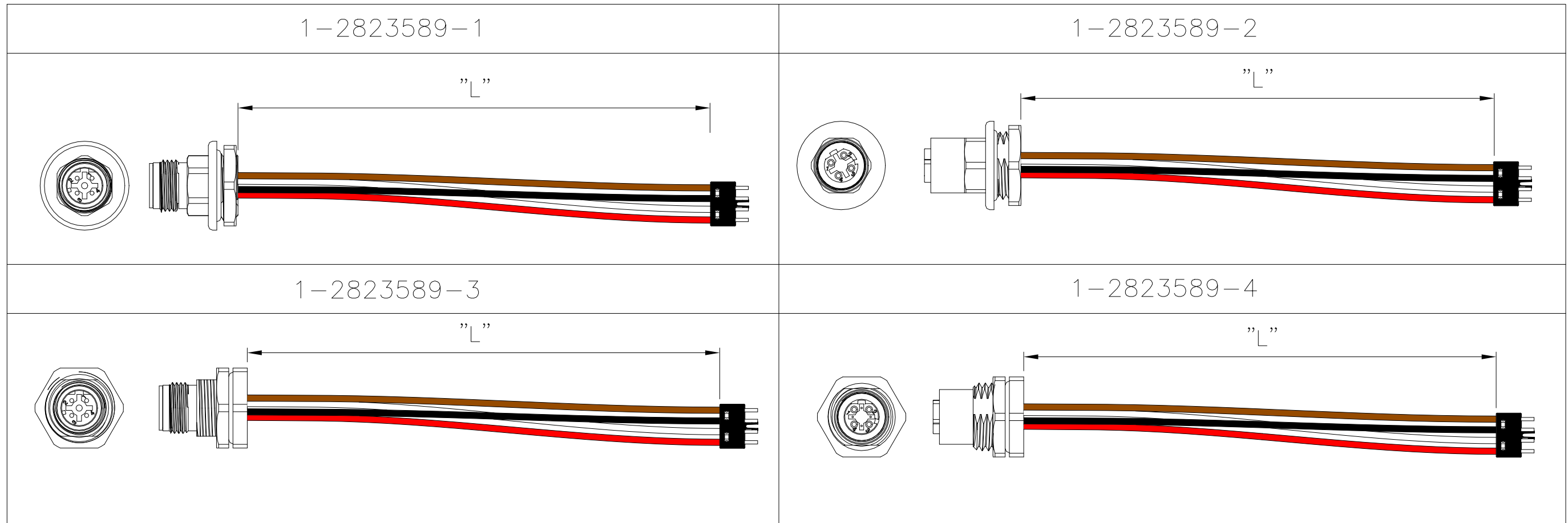


P	LTR	DESCRIPTION	DATE	DWN	APVD
	A1	ADDED MISSING INFORMATION	29SEP2020	GK	SE

PROJECT	PRJ-14-000004825
PART NO	X-2823589-X
HV DESC	M12, D-CODED, PCB MOUNT CABLES
CUSTOMER	GENERAL MARKET

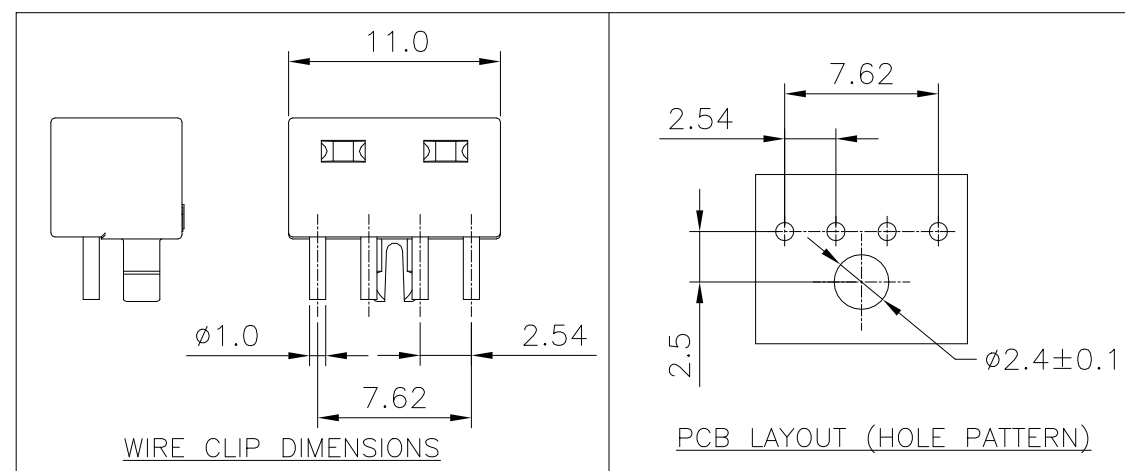
D-CODE 4 POSITION



PART NUMBER	DESCRIPTION	CODE TYPE AND PANEL MOUNTING	CABLE LENGTH "L"
1-2823589-1	M12 D-CODE 4, MALE FRONT PANEL MOUNT	D4 MALE, FRONT MOUNTED	80mm
1-2823589-2	M12 D-CODE 4, FEMALE FRONT PANEL MOUNT	D4 FEMALE, FRONT MOUNTED	80mm
1-2823589-3	M12 D-CODE 4, MALE REAR PANEL MOUNT	D4 MALE, REAR MOUNTED	80mm
1-2823589-4	M12 D-CODE 4, FEMALE REAR PANEL MOUNT	D4 FEMALE, REAR MOUNTED	80mm

A5 PIN#	COLOR	CLIP PIN#
1	BROWN	1
2	BLACK	2
3	WHITE	3
4	RED	4

PIN ASSIGNMENTS D4 CODING

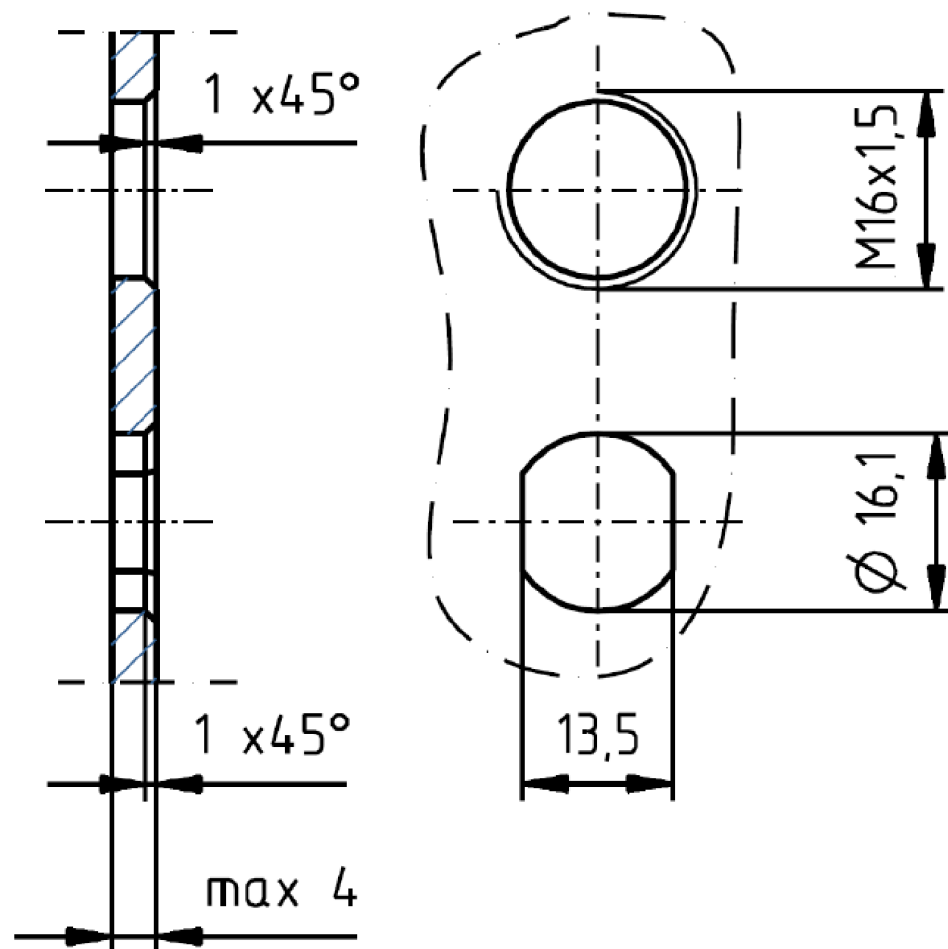


REFER PAGE-2 FOR PANEL CUT-OUT INFORMATION

THIS DRAWING IS A CONTROLLED DOCUMENT.		DWN	16SEP2020	TE Connectivity
		CHK	GOPALAKRISHNA HV	
		APVD	S EGBERT	
		APVD	S EGBERT	
DIMENSIONS: mm		TOLERANCES UNLESS OTHERWISE SPECIFIED:		NAME
		0 PLC ± - 1 PLC ± - 2 PLC ± - 3 PLC ± - 4 PLC ± - ANGLES ± -		M12, D-CODED PCB MOUNT CABLES
MATERIAL		FINISH		SIZE
-		-		A3
		CUSTOMER DRAWING		CAGE CODE
				00779
				DRAWING NO
				C-2823589
				RESTRICTED TO
				-
				SCALE
				NTS
				SHEET
				1 OF 2
				REV
				A1

REVISIONS

P	LTR	DESCRIPTION	DATE	DWN	APVD
-	-	SEE SHEET 1	-	-	-



PANEL CUT-OUT INFORMATION

THIS DRAWING IS A CONTROLLED DOCUMENT.		DWN GOPALAKRISHNA HV 16SEP2020														
DIMENSIONS: mm		CHK S EGBERT 16SEP2020														
TOLERANCES UNLESS OTHERWISE SPECIFIED:		APVD S EGBERT 16SEP2020	NAME M12, D-CODED PCB MOUNT CABLES													
<table border="0"> <tr> <td>0 PLC</td> <td>± -</td> </tr> <tr> <td>1 PLC</td> <td>± -</td> </tr> <tr> <td>2 PLC</td> <td>± -</td> </tr> <tr> <td>3 PLC</td> <td>± -</td> </tr> <tr> <td>4 PLC</td> <td>± -</td> </tr> <tr> <td>ANGLES</td> <td>± -</td> </tr> </table>		0 PLC	± -	1 PLC	± -	2 PLC	± -	3 PLC	± -	4 PLC	± -	ANGLES	± -	PRODUCT SPEC -	SIZE A3	
0 PLC	± -															
1 PLC	± -															
2 PLC	± -															
3 PLC	± -															
4 PLC	± -															
ANGLES	± -															
MATERIAL -		FINISH -	CAGE CODE 00779	DRAWING NO C-2823589												
		WEIGHT -	RESTRICTED TO -													
		CUSTOMER DRAWING	SCALE NTS	SHEET 2 OF 2												
			REV A1													

X-ON Electronics

Largest Supplier of Electrical and Electronic Components

Click to view similar products for [Sensor Cables / Actuator Cables](#) category:

Click to view products by [TE Connectivity](#) manufacturer:

Other Similar products are found below :

[60963](#) [60964](#) [703000D02F2002](#) [703000D02F300](#) [703001D02F0602](#) [703001D02F1201](#) [703001D02F300](#) [704000D02F120](#) [773032K02F030](#)
[802027107404-1](#) [802027213811-1](#) [804001A09M150](#) [805001A09M0502](#) [84914-0235](#) [84914-0237](#) [885030A09M020](#) [1200651332](#)
[1200651713](#) [1200660844](#) [1200660845](#) [1200661173](#) [1200680071](#) [1200720053](#) [1200720081](#) [1200720099](#) [1200720217](#) [1200800231](#)
[1200860125](#) [1200870123](#) [1200980102](#) [1200650267](#) [1200650298](#) [1200660183](#) [1200660782](#) [1200660849](#) [1200661295](#) [1200661297](#)
[1200661342](#) [1200661343](#) [1200670080](#) [1200670220](#) [1200680331](#) [1200720252](#) [1200720255](#) [1200730184](#) [1200860344](#) [1200870359](#)
[1200870643](#) [1200980008](#) [1200980031](#)