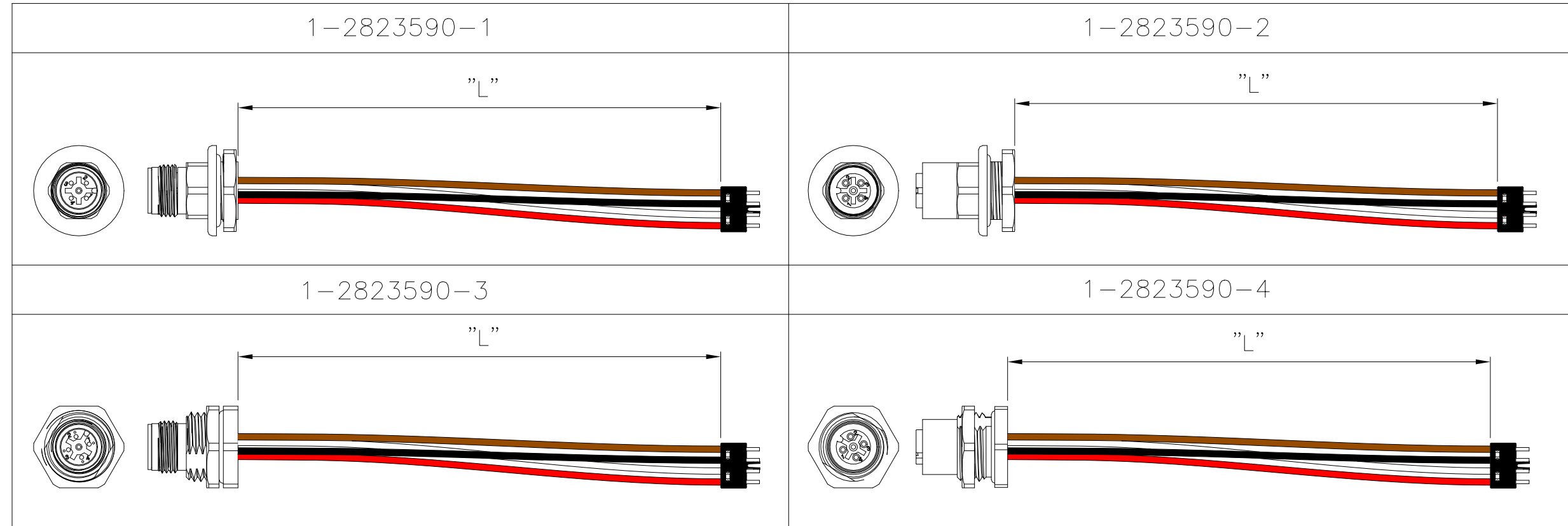


P	LTR	DESCRIPTION	DATE	DWN	APVD
	A2	ADDED MISSING INFORMATION	29SEP2020	GK	SE

PROJECT	PRJ-14-000004825
PART NO	X-2823590-X
HV DESC	M12, A-CODED, PCB MOUNT CABLES
CUSTOMER	GENERAL MARKET

A-CODE 5 POSITION



PART NUMBER	DESCRIPTION	CODE TYPE AND PANEL MOUNTING	CABLE LENGTH "L"
1-2823590-1	M12 A-CODE 5, MALE FRONT PANEL MOUNT	A5 MALE, FRONT MOUNTED	80mm
1-2823590-2	M12 A-CODE 5, FEMALE FRONT PANEL MOUNT	A5 FEMALE, FRONT MOUNTED	80mm
1-2823590-3	M12 A-CODE 5, MALE REAR PANEL MOUNT	A5 MALE, REAR MOUNTED	80mm
1-2823590-4	M12 A-CODE 5, FEMALE REAR PANEL MOUNT	A5 FEMALE, REAR MOUNTED	80mm

A5 PIN#	COLOR	CLIP PIN#
1	BROWN	1
2	BLACK	2
3	WHITE	3
4	RED	4
5	N/A	EMPTY

PIN ASSIGNMENTS A5 CODING

REFER PAGE-2 FOR PANEL CUT-OUT INFORMATION

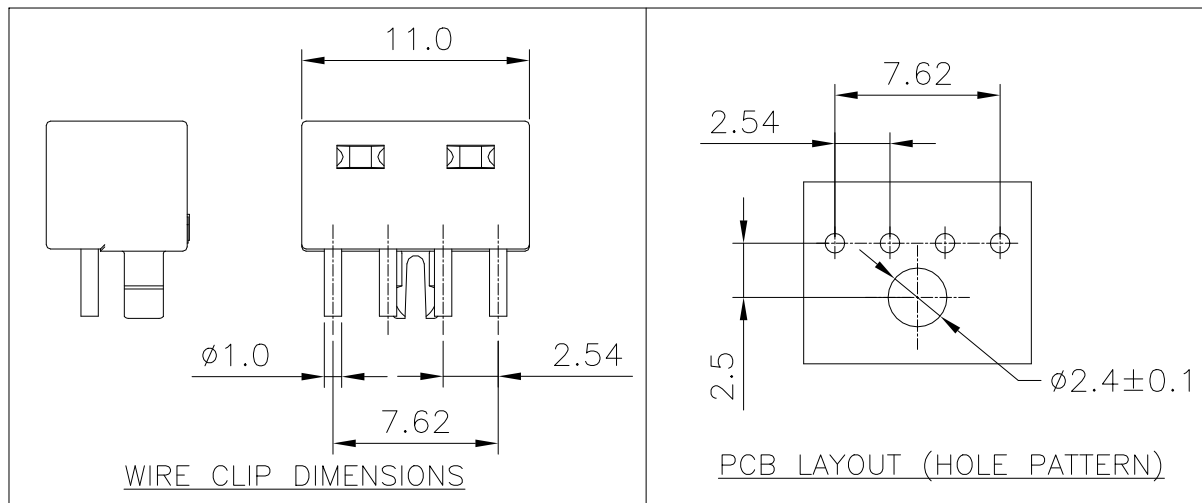
THIS DRAWING IS A CONTROLLED DOCUMENT.

DIMENSIONS:	TOLERANCES UNLESS OTHERWISE SPECIFIED:
mm	0 PLC ± -
	1 PLC ± -
	2 PLC ± -
	3 PLC ± -
	4 PLC ± -
	ANGLES ± -
MATERIAL	FINISH

DWN	16SEP2020
CHK	GOPALAKRISHNA HV
APVD	16SEP2020
PRODUCT SPEC	S EGBERT
APPLICATION SPEC	S EGBERT
WEIGHT	-
CUSTOMER DRAWING	

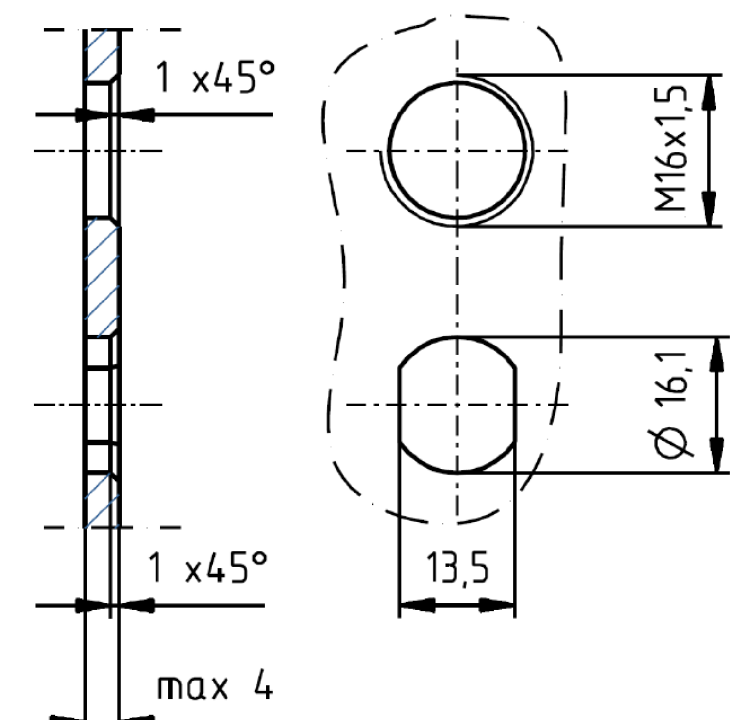
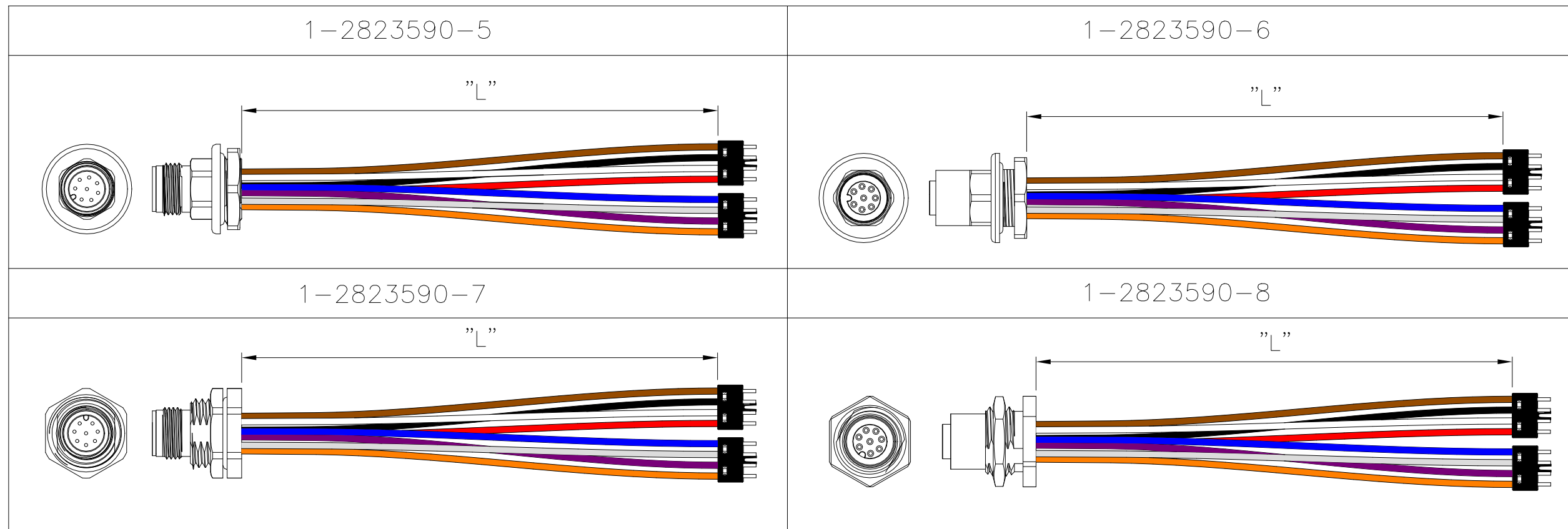


NAME				M12, A-CODED PCB MOUNT CABLES			
SIZE	CAGE CODE	DRAWING NO	RESTRICTED TO				
A3	00779	C-2823590	-				
SCALE	NTS	SHEET	1 OF 2	REV	A2		



P	LTR	DESCRIPTION	DATE	DWN	APVD
-	-	SEE SHEET 1	-	-	-

A-CODE 8 POSITION



PANEL CUT-OUT INFORMATION

PART NUMBER	DESCRIPTION	CODE TYPE AND PANEL MOUNTING	CABLE LENGTH "L"
1-2823590-5	M12 A-CODE 8,MALE FRONT PANEL MOUNT	A8 MALE, FRONT MOUNTED	80mm
1-2823590-6	M12 A-CODE 8,FEMALE FRONT PANEL MOUNT	A8 FEMALE, FRONT MOUNTED	80mm
1-2823590-7	M12 A-CODE 8,MALE REAR PANEL MOUNT	A8 MALE, REAR MOUNTED	80mm
1-2823590-8	M12 A-CODE 8,FEMALE REAR PANEL MOUNT	A8 FEMALE, REAR MOUNTED	80mm

REFER PAGE-1 FOR WIRE CLIP DIMENSIONS AND THE PCB LAYOUT (HOLE PATTERN)

A8 PIN#	COLOR	CLIP PIN#
1	BROWN	CLIP1, PIN1
2	BLACK	CLIP1, PIN2
3	WHITE	CLIP1, PIN3
4	RED	CLIP1, PIN4
5	BLUE	CLIP2, PIN1
6	GREY	CLIP2, PIN2
7	PURPLE	CLIP2, PIN3
8	OCHER BROWN	CLIP2, PIN4

PIN ASSIGNMENTS A8 CODING

THIS DRAWING IS A CONTROLLED DOCUMENT.		DWN 16SEP2020 GOPALAKRISHNA HV	TE Connectivity	
DIMENSIONS: mm		CHK 16SEP2020 S EGBERT		
TOLERANCES UNLESS OTHERWISE SPECIFIED:		APVD 16SEP2020 S EGBERT	NAME M12, A-CODED PCB MOUNT CABLES	
0 PLC ± - 1 PLC ± - 2 PLC ± - 3 PLC ± - 4 PLC ± - ANGLES ± -		PRODUCT SPEC	SIZE CAGE CODE DRAWING NO RESTRICTED TO	
MATERIAL		FINISH	A3 00779 C-2823590	
		WEIGHT	CUSTOMER DRAWING	
		SCALE NTS	SHEET 2 OF 2 REV A2	

X-ON Electronics

Largest Supplier of Electrical and Electronic Components

Click to view similar products for [Sensor Cables / Actuator Cables](#) category:

Click to view products by [TE Connectivity](#) manufacturer:

Other Similar products are found below :

[60963](#) [60964](#) [703000D02F2002](#) [703001D02F0602](#) [703001D02F300](#) [704000D02F120](#) [773032K02F030](#) [802027107404-1](#) [802027213811-1](#)
[804001A09M150](#) [805001A09M0502](#) [84914-0235](#) [84914-0237](#) [885030A09M020](#) [1200651332](#) [1200651713](#) [1200660844](#) [1200660845](#)
[1200661173](#) [1200680071](#) [1200720053](#) [1200720081](#) [1200720099](#) [1200720217](#) [1200800231](#) [1200860125](#) [1200870123](#) [1200980102](#)
[1200650267](#) [1200650298](#) [1200660183](#) [1200660782](#) [1200660849](#) [1200661295](#) [1200661297](#) [1200661342](#) [1200661343](#) [1200670080](#)
[1200670220](#) [1200680331](#) [1200720252](#) [1200730184](#) [1200860344](#) [1200870359](#) [1200870643](#) [1200980008](#) [1200980031](#) [1210502211](#)
[1210400542](#) [1211810021](#)