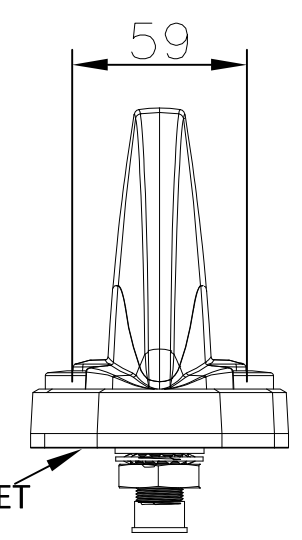
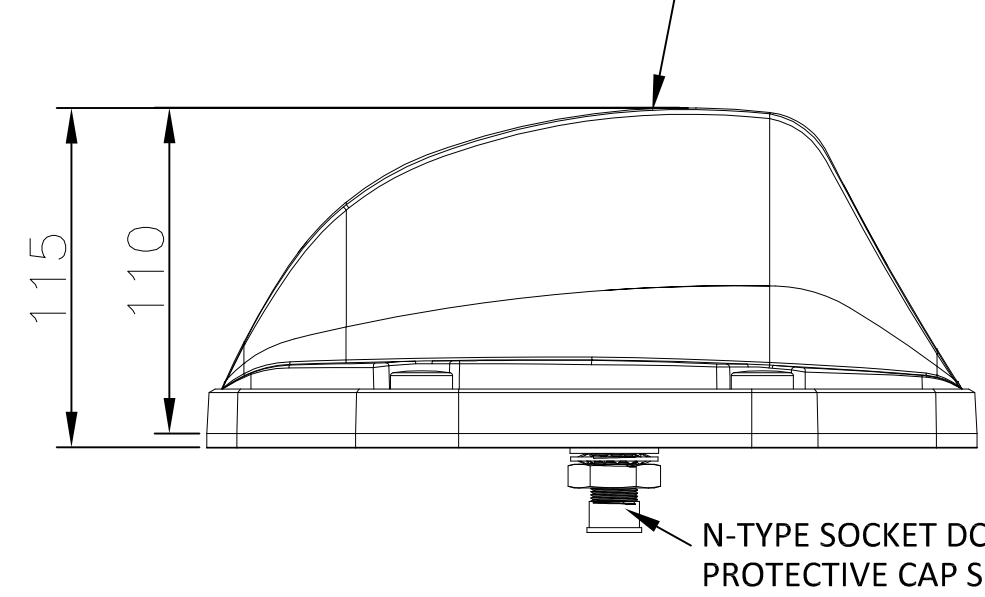


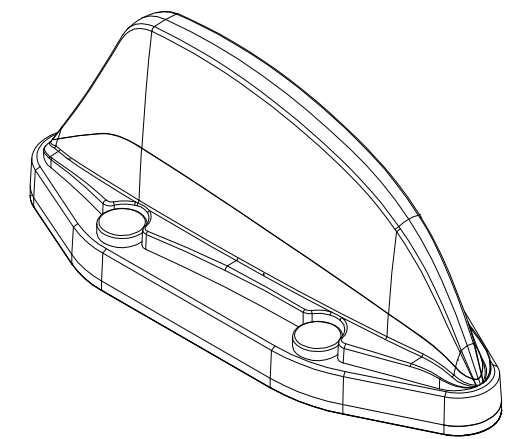
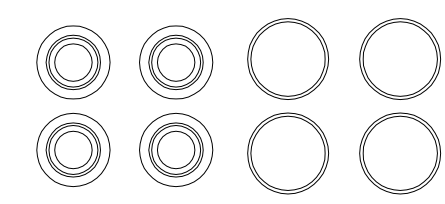
THIS DRAWING IS UNPUBLISHED.		RELEASED FOR PUBLICATION FEB ,2006.	
© COPYRIGHT 2006 By -		ALL RIGHTS RESERVED.	
PROJECT	PRJ-16-000906992		
PART NO	1-2823593-1		
HV DESC	SiSo without GPS, 698-960/1710-6000 MHz		
CUSTOMER	GENERAL MARKET		

REVISIONS					
P	LTR	DESCRIPTION	DATE	DWN	APVD
	A1	ECR-16-007284	20MAY2016	GG	GG

**BLACK UL TEM PEI 1000 COVER:HIGH IMPACT,UV STABILIZED,
FLAME RETARDANT UL94-V0 ZERO HALOGEN**



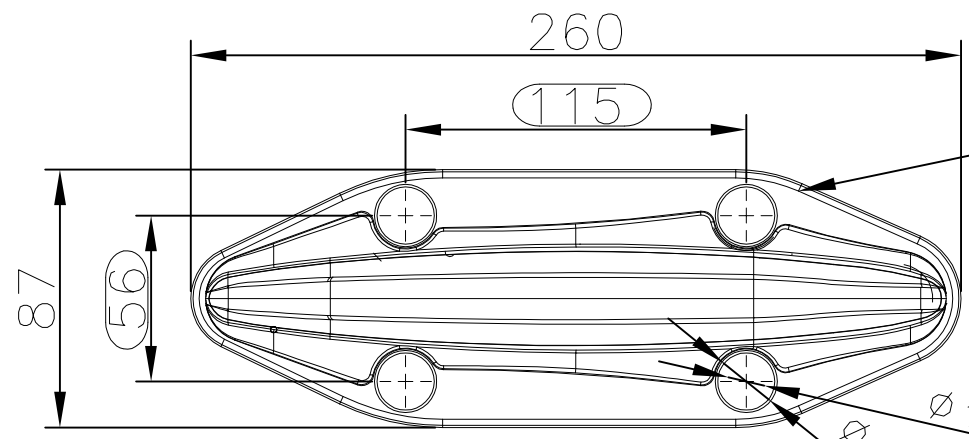
**4 X M12 SEALING
WASHERS AND BOLT
CAPS SUPPLIED LOOSE**



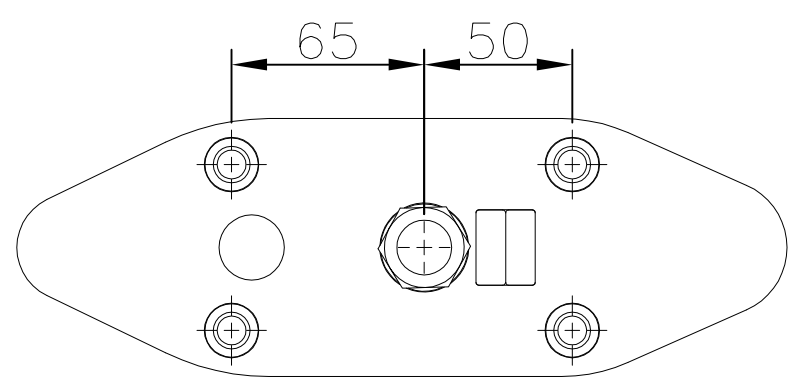
ISO VIEW

NOTES:

1. ALL PARTS MUST BE RoHS COMPLIANT AND MUST NOT CONTAIN ANY SUBSTANCES OF VERY HIGH CONCERN (SVHCs) LISTED UNDER REACH OR POLYAROMATIC HYDRACARBONS (PAHs) OR PERSISTENT ORGANIC POLLUTANTS (POPs) CONTROLLED BY THE STOCKHOLM CONVENTION.
2. DENOTES CRITICAL DIMENSION
3. WEIGHT 999 g (Approx)
4. FOR INSTALLATION INSTRUCTIONS,PLEASE REFER 408-156026



$\phi 12.4$ MOUNTING HOLE TYP.
 $\phi 19.7$ C/BORE TYP.



THIS DRAWING IS A CONTROLLED DOCUMENT.		DWN	GUNA	04MAR2016	TE Connectivity					
DIMENSIONS: mm		CHK	GUNA	04MAR2016				NAME		
		APVD	GUNA	04MAR2016				TRANSIT ANTENNA SiSo without GPS, 698-960/1710-6000 MHz		
TOLERANCES UNLESS OTHERWISE SPECIFIED:		PRODUCT SPEC			SIZE					
0 PLC	± 5	APPLICATION SPEC			CAGE CODE	DRAWING NO	RESTRICTED TO			
1 PLC	$\pm -$	MATERIAL			A3 00779		—			
2 PLC	$\pm -$	FINISH			G=2823593		SCALE			
3 PLC	$\pm -$	MATERIAL			CUSTOMER DRAWING		NTS			
4 PLC	$\pm -$	MATERIAL			WEIGHT		SHEET			
ANGLES	$\pm -$	MATERIAL			CUSTOMER DRAWING		1 OF 1			
		MATERIAL			CUSTOMER DRAWING		REV			
		MATERIAL			CUSTOMER DRAWING		A1			

X-ON Electronics

Largest Supplier of Electrical and Electronic Components

Click to view similar products for [Antennas](#) category:

Click to view products by [TE Connectivity](#) manufacturer:

Other Similar products are found below :

[GAN30084EU](#) [930-033-R](#) [GW17.07.0250E](#) [1513563-1](#) [EXE902SM](#) [APAMPG-117](#) [MAF94383](#) [W3908B0100](#) [W6102B0100](#) [YE572113-30RSMM](#) [108-00014-50](#) [66089-2406](#) [SPDA17RP918](#) [A09-F8NF-M](#) [A09-F5NF-M](#) [RGFRA1903041A1T](#) [W3593B0100](#) [W3921B0100](#) [SIMNA-868](#) [SIMNA-915](#) [SIMNA-433](#) [W1044](#) [W1049B090](#) [A75-001](#) [WTL2449CQ1-FRSMM](#) [CPL9C](#) [EXB148BN](#) [0600-00060](#) [TRA9020S3PBN-001](#) [Y4503](#) [GD5W-28P-NF](#) [MA9-7N](#) [GD53-25](#) [GD5W-21P-NF](#) [C37](#) [MAF94051](#) [MA9-5N](#) [EXD420PL](#) [B1322NR](#) [QWFTB120](#) [MAF94271](#) [MAF94300](#) [GPSMB301](#) [FG4403](#) [AO-AGSM-OM54](#) [5200232](#) [MIKROE-2349](#) [WCM.01.0111](#) [MIKROE-2393](#) [MIKROE-2352](#)