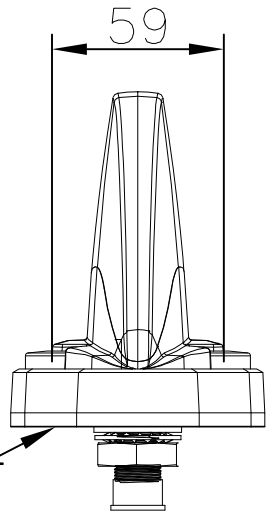
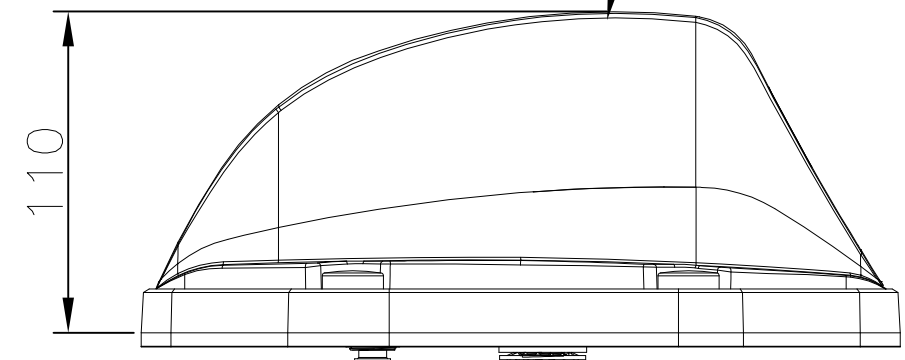


THIS DRAWING IS UNPUBLISHED. RELEASED FOR PUBLICATION FEB ,2006.
 © COPYRIGHT 2006 By - ALL RIGHTS RESERVED.

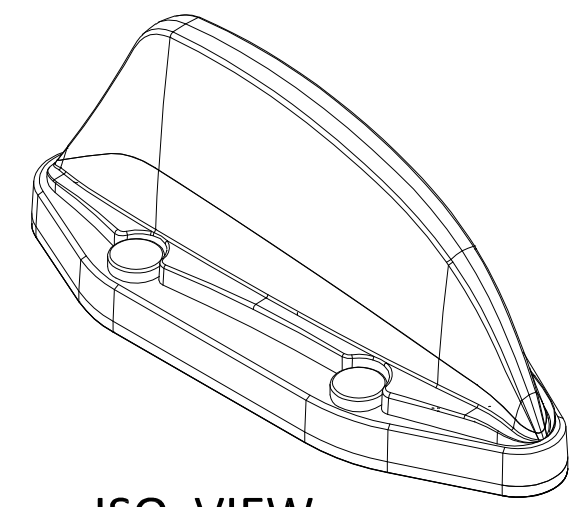
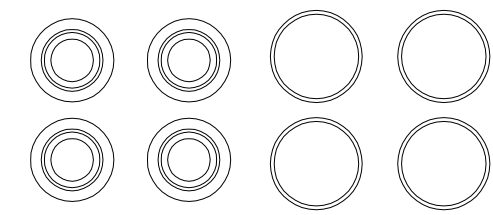
PROJECT	PRJ-16-000906992
PART NO	1-2823594-1
HV DESC	SiSo with GPS/GNSS,698-960/1710-6000 MHz
CUSTOMER	GENERAL MARKET

REVISIONS					
P	LTR	DESCRIPTION	DATE	DWN	APVD
	A1	ECR-16-007284	20MAY2016	GG	GG

BLACK UL TEM PEI 1000 COVER:HIGH IMPACT,UV STABILIZED,
 FLAME RETARDANT UL94-V0 ZERO HALOGEN



4 X M12 SEALING
 WASHERS AND BOLT
 CAPS SUPPLIED LOOSE

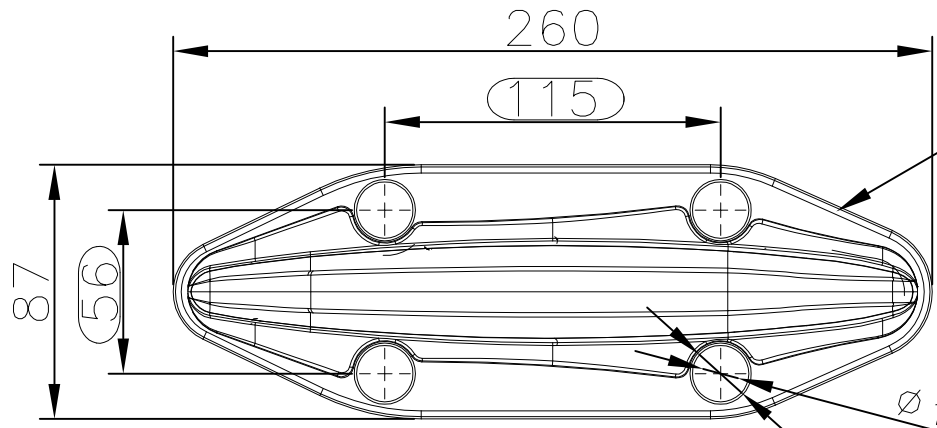


ISO VIEW

TNC SOCKET
 GPS/GNSS SURGE PROTECTION.
 PROTECTIVE CAP SUPPLIED.

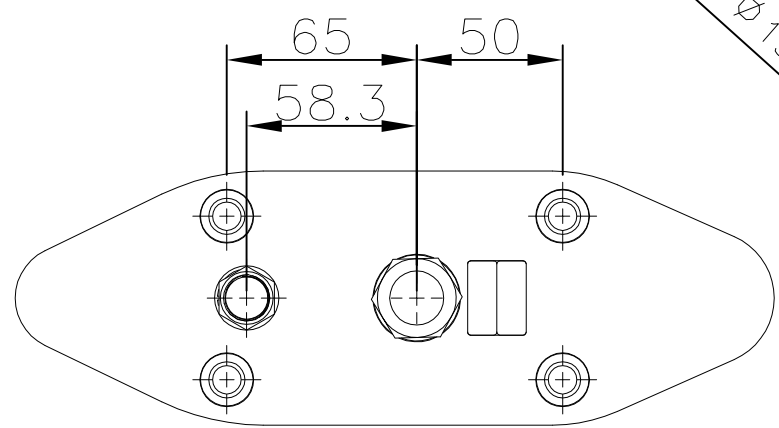
N-TYPE SOCKET DC GROUNDED
 PROTECTIVE CAP SUPPLIED

IP SEALING GASKET



ALUMINIUM ALLOY
 BASE WITH ABRASION AND
 CORROSION PROTECTION

Ø 12.4 MOUNTING HOLE TYP.
 Ø 19.7 C/BORE TYP.



NOTES:

1. ALL PARTS MUST BE RoHS COMPLIANT AND MUST NOT CONTAIN ANY SUBSTANCES OF VERY HIGH CONCERN (SVHCs) LISTED UNDER REACH OR POLYAROMATIC HYDRACARBONS (PAHs) OR PERSISTENT ORGANIC POLLUTANTS (POPs) CONTROLLED BY THE STOCKHOLM CONVENTION.
2. DENOTES CRITICAL DIMENSION
3. WEIGHT 1107 g (Approx).
4. FOR INSTALLATION INSTRUCTIONS,PLEASE REFER 408-156026

THIS DRAWING IS A CONTROLLED DOCUMENT.		DWN	GUNA	04MAR2016	TE Connectivity			
		CHK	GUNA	04MAR2016				
		APVD	-	04MAR2016	NAME			
		PRODUCT SPEC			TRANSIT ANTENNA			
		APPLICATION SPEC			SiSo with GPS/GNSS,698-960/1710-6000 MHz			
DIMENSIONS: mm		TOLERANCES UNLESS OTHERWISE SPECIFIED:			SIZE	CAGE CODE	DRAWING NO	RESTRICTED TO
 		0 PLC	± 5		A3	00779	C-2823594	-
MATERIAL		FINISH			WEIGHT	SCALE		SHEET
-		-			CUSTOMER DRAWING	NTS		1 OF 1
							REV	A1

X-ON Electronics

Largest Supplier of Electrical and Electronic Components

Click to view similar products for [Antennas](#) category:

Click to view products by [TE Connectivity](#) manufacturer:

Other Similar products are found below :

[GAN30084EU](#) [930-033-R](#) [GW17.07.0250E](#) [1513563-1](#) [EXE902SM](#) [APAMPG-117](#) [MAF94383](#) [W3908B0100](#) [W6102B0100](#) [YE572113-30RSMM](#) [108-00014-50](#) [66089-2406](#) [SPDA17RP918](#) [A09-F8NF-M](#) [A09-F5NF-M](#) [RGFRA1903041A1T](#) [W3593B0100](#) [W3921B0100](#) [SIMNA-868](#) [SIMNA-915](#) [SIMNA-433](#) [W1044](#) [W1049B090](#) [A75-001](#) [WTL2449CQ1-FRSMM](#) [CPL9C](#) [EXB148BN](#) [0600-00060](#) [TRA9020S3PBN-001](#) [Y4503](#) [GD5W-28P-NF](#) [MA9-7N](#) [GD53-25](#) [GD5W-21P-NF](#) [C37](#) [MAF94051](#) [MA9-5N](#) [EXD420PL](#) [B1322NR](#) [QWFTB120](#) [MAF94271](#) [MAF94300](#) [GPSMB301](#) [FG4403](#) [AO-AGSM-OM54](#) [5200232](#) [MIKROE-2349](#) [WCM.01.0111](#) [MIKROE-2393](#) [MIKROE-2352](#)