

4

3

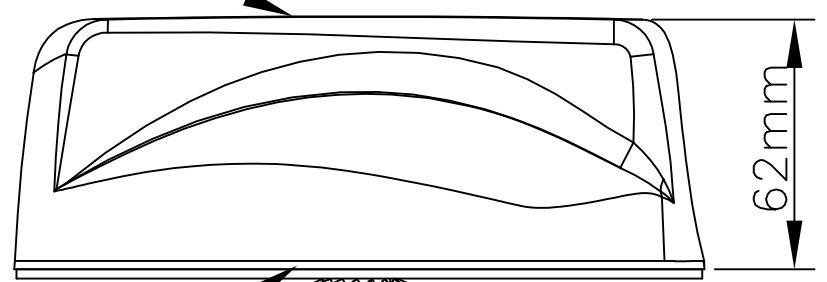
2

1

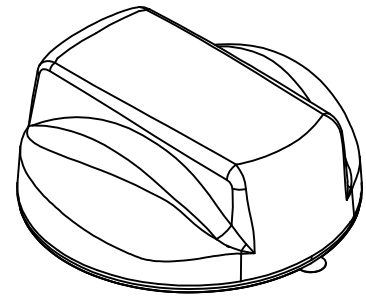
THIS DRAWING IS UNPUBLISHED.		RELEASED FOR PUBLICATION FEB ,2006.	
© COPYRIGHT 2006 By -		ALL RIGHTS RESERVED.	
PROJECT	PRJ-16-000905033		
PART NO	X-2823597-X		
HV DESC	MiMo without GPS,LOW PRO,2G/3G/4G & 2.4/5.8 GHz		
CUSTOMER	GENERAL MARKET		

REVISIONS				
P	LTR	DESCRIPTION	DATE	APVD
	A1	REVISED PER ECR-16-014891	25NOV16	KK GG

HOUSING MOULDED IN WHITE A.S.A

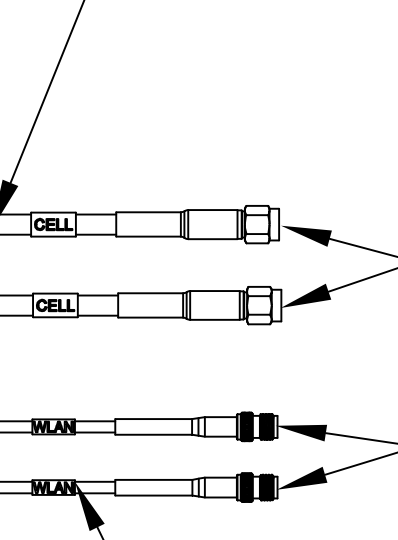


62mm



ISO VIEW

CS29 COAX CABLE 300mm LONG (2 POSITIONS)

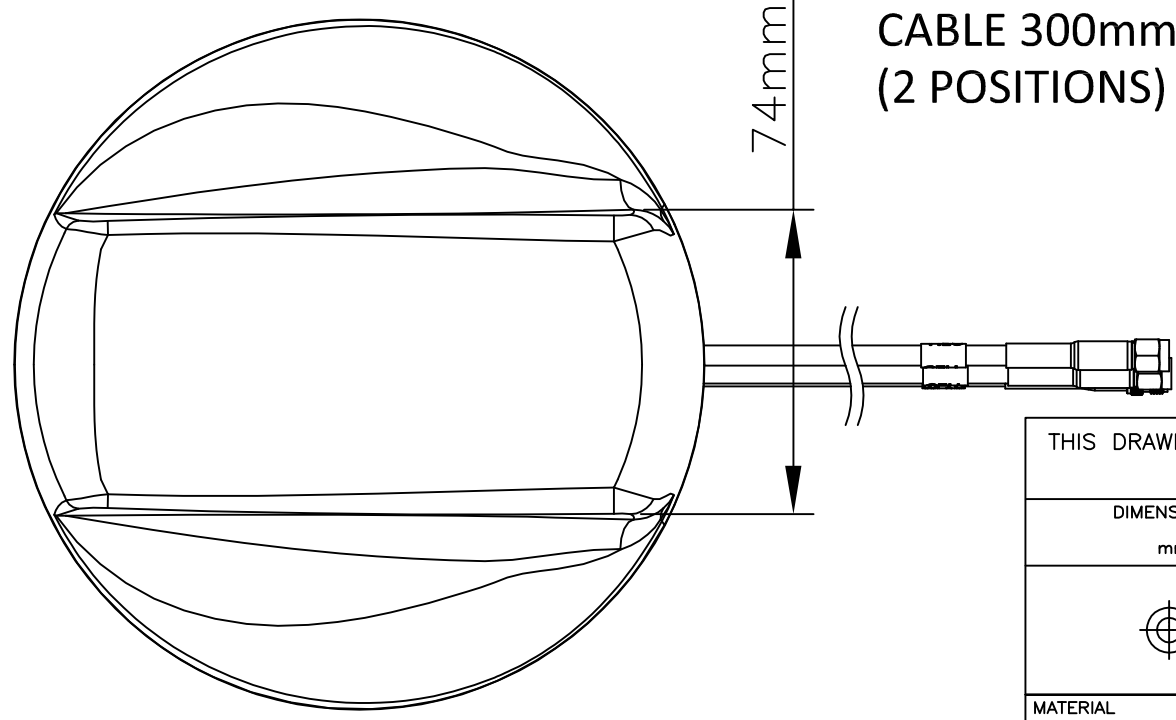


SMA PLUGS

SMA JACKS

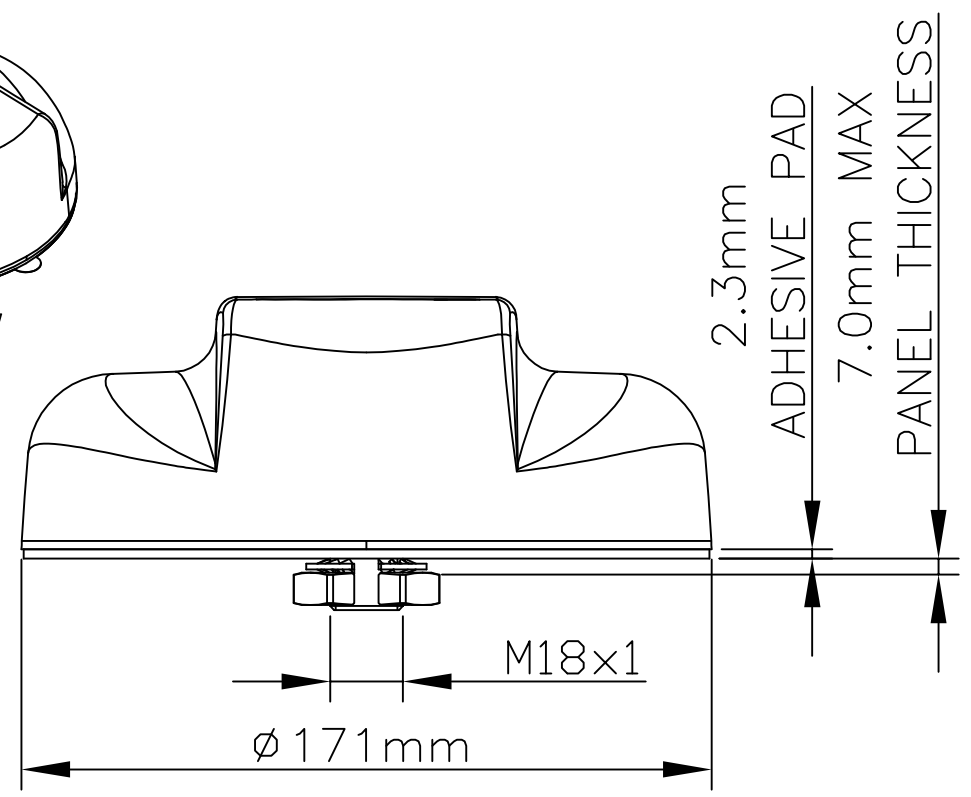
RG174 Ø 2.8 COAX CABLE 300mm LONG (2 POSITIONS)

74mm



BASE: ALUMINUM

SLOTTED NUT AND SHAKE PROOF WASHER



2.3mm
ADHESIVE PAD
7.0mm MAX
PANEL THICKNESS

NOTES:

1. ALL PARTS MUST BE RoHS COMPLIANT AND MUST NOT CONTAIN ANY SUBSTANCES OF VERY HIGH CONCERN (SVHCs) LISTED UNDER REACH OR POLYAROMATIC HYDRACARBONS (PAHs) OR PERSISTENT ORGANIC POLLUTANTS (POPs) CONTROLLED BY THE STOCKHOLM CONVENTION.
2. WEIGHT 480g(Approx)
3. FOR INSTALLATION INSTRUCTIONS,PLEASE REFER 408-156027
- 4.OPERATING FREQUENCIES:
CELL FEED 1: 698-960 / 1710-2700 MHz
CELL FEED 2: 698-960 / 1710-2700 MHz
WIFI FEED 3: 2400-2485 / 4900-6000 MHz
WIFI FEED 4: 2400-2485 / 4900-6000 MHz

1-2823597-2	MiMo without GPS,LOW PROFILE,2G/3G/4G &	BLACK COLOR
1-2823597-1	2.4/5.8 GHz	WHITE COLOR
TE PN'S	DESCRIPTION	REMARKS

THIS DRAWING IS A CONTROLLED DOCUMENT.

DIMENSIONS: mm		TOLERANCES UNLESS OTHERWISE SPECIFIED:	
	0 PLC	± 5	
	1 PLC	± -	
	2 PLC	± -	
	3 PLC	± -	
	4 PLC	± -	
	ANGLES	± -	
MATERIAL	FINISH		
-	-		

DWN	GUNA	16JUN16
CHK	GUNA	16JUN16
APVD		16JUN16
PRODUCT SPEC		
APPLICATION SPEC		
WEIGHT		
CUSTOMER DRAWING		

TE Connectivity			
NAME TRANSIT ANTENNA MiMo without GPS,LOW PRO,2G/3G/4G,2.4/5.8 GHz LTE(2x2)+WLAN(2x2)			
SIZE	CAGE CODE	DRAWING NO	RESTRICTED TO
A3	00779	C=2823597	-
SCALE NTS		SHEET 1 of 1	REV A1

X-ON Electronics

Largest Supplier of Electrical and Electronic Components

Click to view similar products for [Antennas](#) category:

Click to view products by [TE Connectivity](#) manufacturer:

Other Similar products are found below :

[GAN30084EU](#) [930-033-R](#) [GW17.07.0250E](#) [1513563-1](#) [EXE902SM](#) [APAMPG-117](#) [MAF94383](#) [W3908B0100](#) [W6102B0100](#) [YE572113-30RSMM](#) [108-00014-50](#) [66089-2406](#) [SPDA17RP918](#) [A09-F8NF-M](#) [A09-F5NF-M](#) [RGFRA1903041A1T](#) [W3593B0100](#) [W3921B0100](#) [SIMNA-868](#) [SIMNA-915](#) [SIMNA-433](#) [W1044](#) [W1049B090](#) [A75-001](#) [WTL2449CQ1-FRSMM](#) [CPL9C](#) [EXB148BN](#) [0600-00060](#) [TRA9020S3PBN-001](#) [Y4503](#) [GD5W-28P-NF](#) [MA9-7N](#) [GD53-25](#) [GD5W-21P-NF](#) [C37](#) [MAF94051](#) [MA9-5N](#) [EXD420PL](#) [B1322NR](#) [QWFTB120](#) [MAF94271](#) [MAF94300](#) [GPSMB301](#) [FG4403](#) [AO-AGSM-OM54](#) [5200232](#) [MIKROE-2349](#) [WCM.01.0111](#) [MIKROE-2393](#) [MIKROE-2352](#)