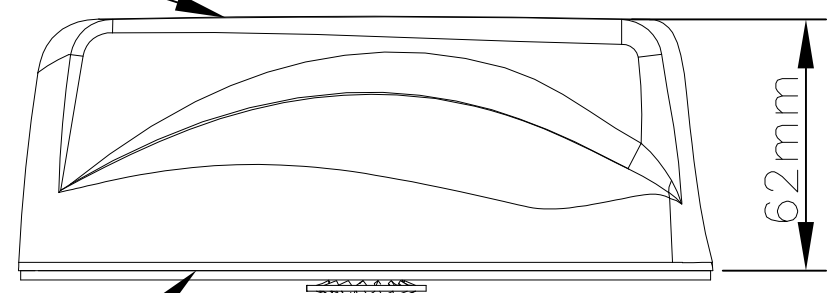


THIS DRAWING IS UNPUBLISHED. RELEASED FOR PUBLICATION FEB ,2006.
 © COPYRIGHT 2006 By - ALL RIGHTS RESERVED.

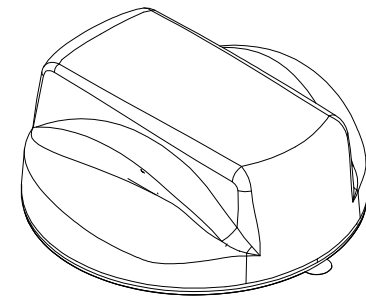
PROJECT	PRJ-16-000905033
PART NO	X-2823599-X
HV DESC	MiMo with GPS,LOW PRO,2G/3G/4G,2.4/5.8 GHz
CUSTOMER	GENERAL MARKET

P	LTR	DESCRIPTION	DATE	DWN	APVD
	A	FIRST RELEASE	25NOV16	KK	KK

HOUSING MOULDED IN
WHITE A.S.A



62mm

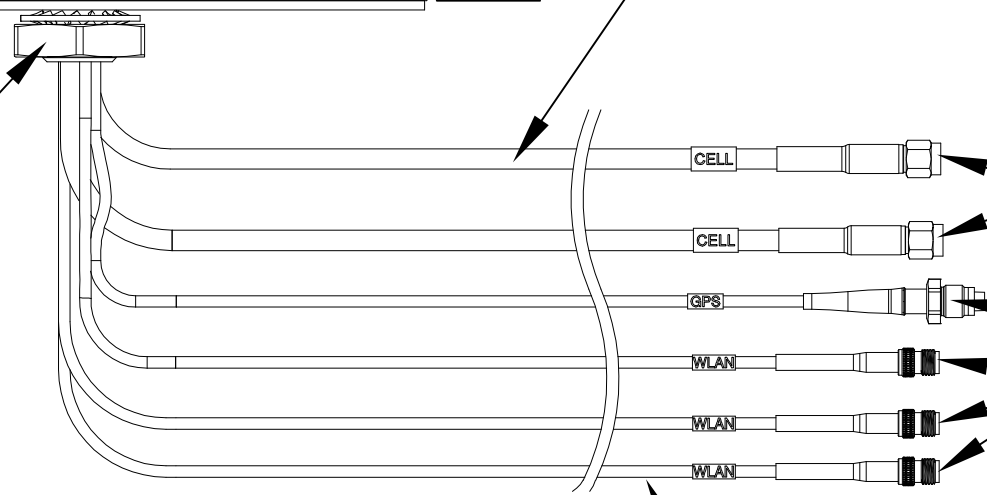


ISO VIEW

CS29 COAX CABLE
300mm LONG
(2 POSITIONS)

BASE: ALUMINUM

SLOTTED NUT AND
SHAKE PROOF WASHER

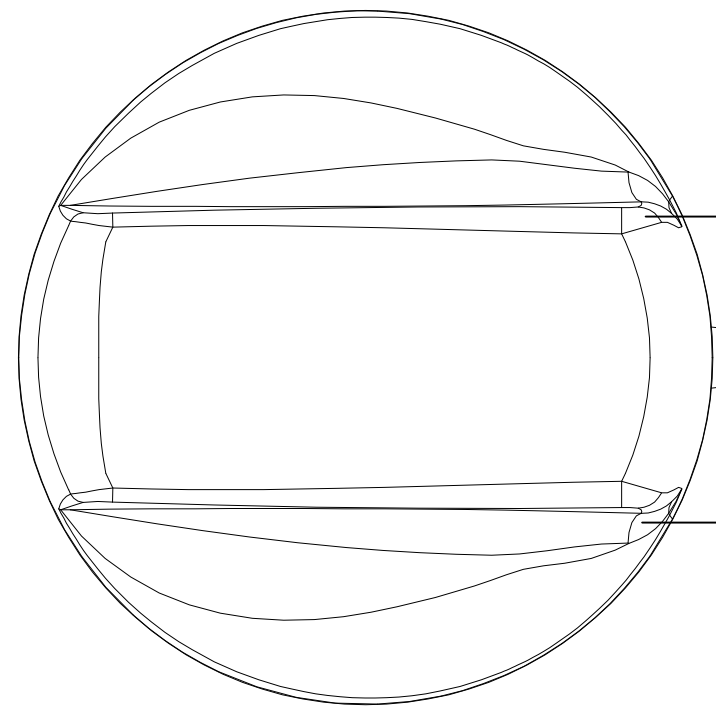


SMA PLUGS

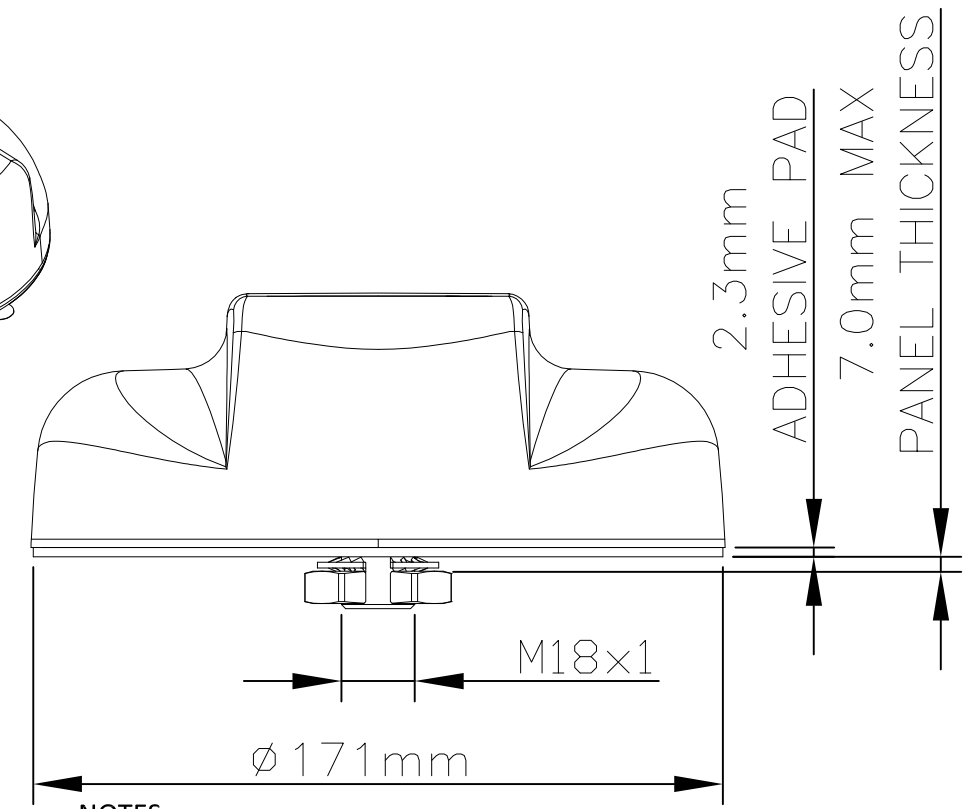
FME JACK

SMA JACKS

RG174 Ø 2.8 COAX
CABLE 300mm LONG
(3 POSITIONS)



74mm



2.3mm
ADHESIVE PAD
7.0mm MAX
PANEL THICKNESS

M18x1

Ø 171mm

- NOTES:
- ALL PARTS MUST BE RoHS COMPLIANT AND MUST NOT CONTAIN ANY SUBSTANCES OF VERY HIGH CONCERN (SVHCs) LISTED UNDER REACH OR POLYAROMATIC HYDRACARBONS (PAHs) OR PERSISTENT ORGANIC POLLUTANTS (POPs) CONTROLLED BY THE STOCKHOLM CONVENTION.
 - WEIGHT 498g(Approx)
 - FOR INSTALLATION INSTRUCTIONS,PLEASE REFER 408-156027
 - OPERATING FREQUENCIES:
 CELL FEED 1: 698-960 / 1710-2700 MHz
 CELL FEED 2: 698-960 / 1710-2700 MHz
 WIFI FEED 3: 2400-2485 / 4900-6000 MHz
 WIFI FEED 4: 2400-2485 / 4900-6000 MHz
 WIFI FEED 5: 2400-2485 / 4900-6000 MHz
 GPS FEED 6: 1575 MHz 26dB LNA

TE PN'S	DESCRIPTION	REMARKS
1-2823599-2	MiMo with GPS, LOW PROFILE, 2G/3G/4G	BLACK COLOR
1-2823599-1	& 2.4/5.8 GHz	WHITE COLOR

THIS DRAWING IS A CONTROLLED DOCUMENT.		DWN	KIRAN K	25NOV16
DIMENSIONS: mm		CHK	KIRAN K	25NOV16
TOLERANCES UNLESS OTHERWISE SPECIFIED:		APVD	KIRAN K	25NOV16
0 PLC	± 5	NAME		
1 PLC	± -	MiMo with GPS,LOW PRO,2G/3G/4G and 2.4/5.8 GHz		
2 PLC	± -	LTE(2x2) + WLAN(3x3)		
3 PLC	± -	PRODUCT SPEC	SIZE	
4 PLC	± -	APPLICATION SPEC	CAGE CODE	DRAWING NO
ANGLES	± -	WEIGHT	A300779	C-2823599
MATERIAL	FINISH	RESTRICTED TO		
-	-	-		

CUSTOMER DRAWING		SCALE	NTS	SHEET	1 OF 1	REV	A
------------------	--	-------	-----	-------	--------	-----	---

X-ON Electronics

Largest Supplier of Electrical and Electronic Components

Click to view similar products for [Antennas](#) category:

Click to view products by [TE Connectivity](#) manufacturer:

Other Similar products are found below :

[GAN30084EU](#) [930-033-R](#) [GW17.07.0250E](#) [1513563-1](#) [EXE902SM](#) [APAMPG-117](#) [MAF94383](#) [W3908B0100](#) [W6102B0100](#) [YE572113-30RSMM](#) [108-00014-50](#) [66089-2406](#) [SPDA17RP918](#) [A09-F8NF-M](#) [A09-F5NF-M](#) [RGFRA1903041A1T](#) [W3593B0100](#) [W3921B0100](#) [SIMNA-868](#) [SIMNA-915](#) [SIMNA-433](#) [W1044](#) [W1049B090](#) [A75-001](#) [WTL2449CQ1-FRSMM](#) [CPL9C](#) [EXB148BN](#) [0600-00060](#) [TRA9020S3PBN-001](#) [Y4503](#) [GD5W-28P-NF](#) [MA9-7N](#) [GD53-25](#) [GD5W-21P-NF](#) [C37](#) [MAF94051](#) [MA9-5N](#) [EXD420PL](#) [B1322NR](#) [QWFTB120](#) [MAF94271](#) [MAF94300](#) [GPSMB301](#) [FG4403](#) [AO-AGSM-OM54](#) [5200232](#) [MIKROE-2349](#) [WCM.01.0111](#) [MIKROE-2393](#) [MIKROE-2352](#)