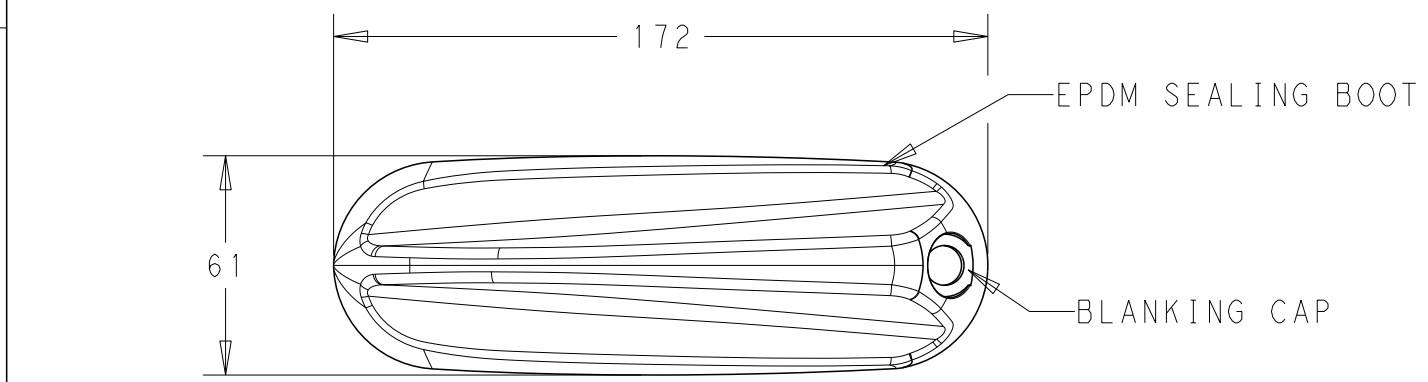
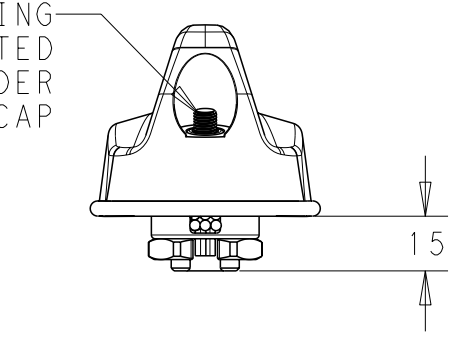
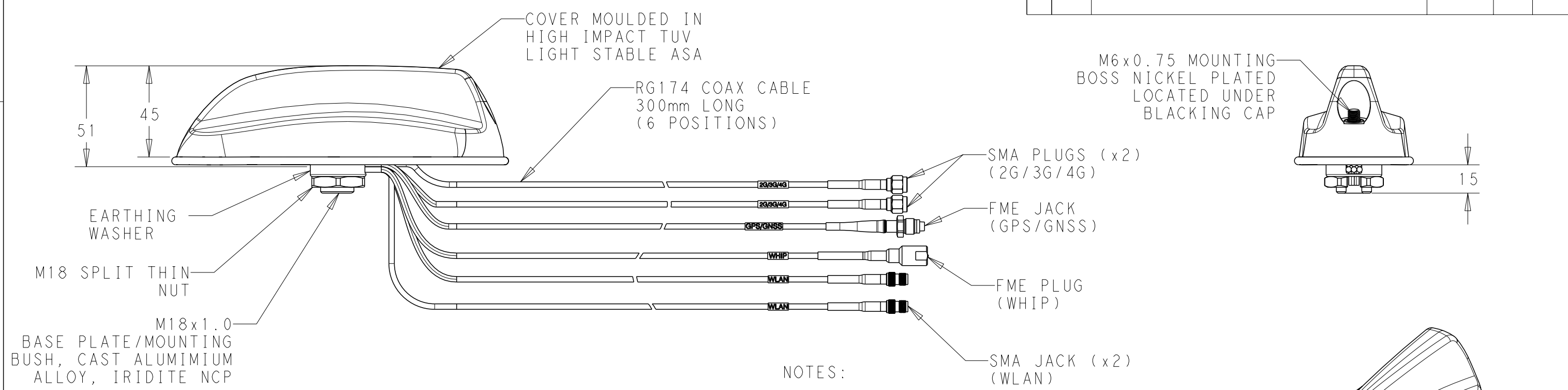


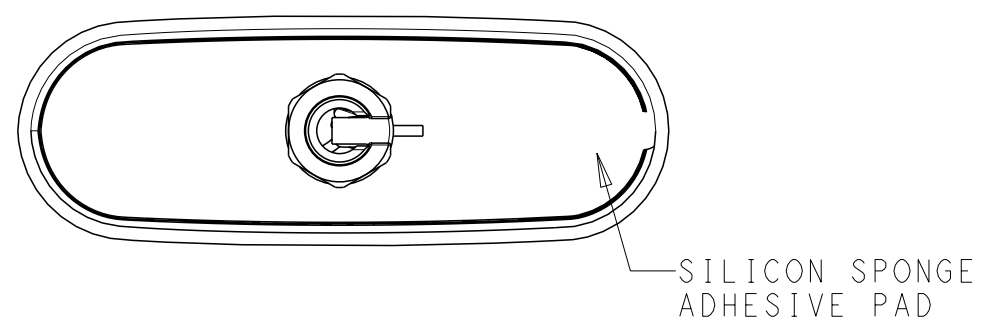
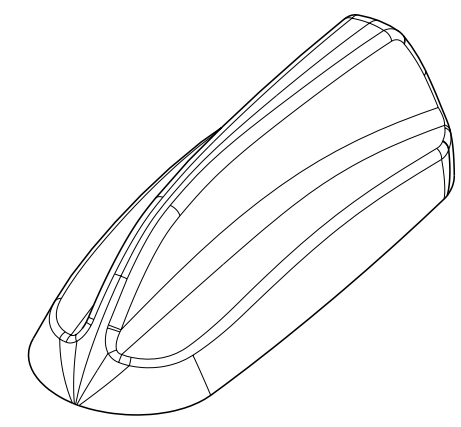
THIS DRAWING IS UNPUBLISHED. RELEASED FOR PUBLICATION 20
 © COPYRIGHT 20 BY - ALL RIGHTS RESERVED.

PROJECT	PRJ-16-000906992
PART NO.	1-2823602-1
HV DESC	MiMo with GPS/GNSS 2G/3G/4G WLAN ANT
CUSTOMER	GENERAL MARKET

P	LTR	DESCRIPTION	DATE	DWN	APVD
	A	NEW RELEASE	12JUL2016	KK	GG
	A1	ECR-16-013123	14SEP2016	KK	GG



- NOTES:
- ALL PARTS MUST BE RoHS COMPLIANT AND MUST NOT CONTAIN ANY SUBSTANCES OF VERY HIGH CONCERN (SVHCs) LISTED UNDER REACH OR POLY-AROMATIC HYDROCARBONS (PAHs), OR PERSISTANT ORGANIC POLLUTANTS (POPs) CONTROLLED BY THE STOCKHOLM CONVENTION.
 - WEIGHT 262.7 gr.
 - FOR INSTALLATION INSTRUCTIONS, PLEASE REFER 408-156029.



1-2823602-1	MiMo with GPS/GNSS 2G/3G/4G WLAN ANT	BLACK COLOR
TE PN'S	DESCRIPTION	REMARKS

THIS DRAWING IS A CONTROLLED DOCUMENT.

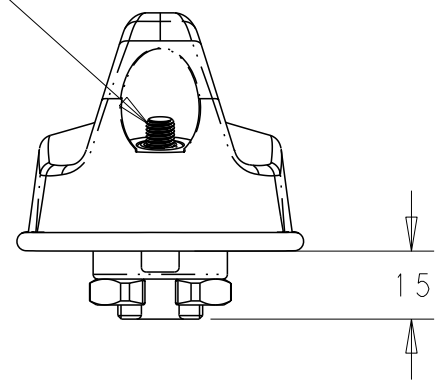
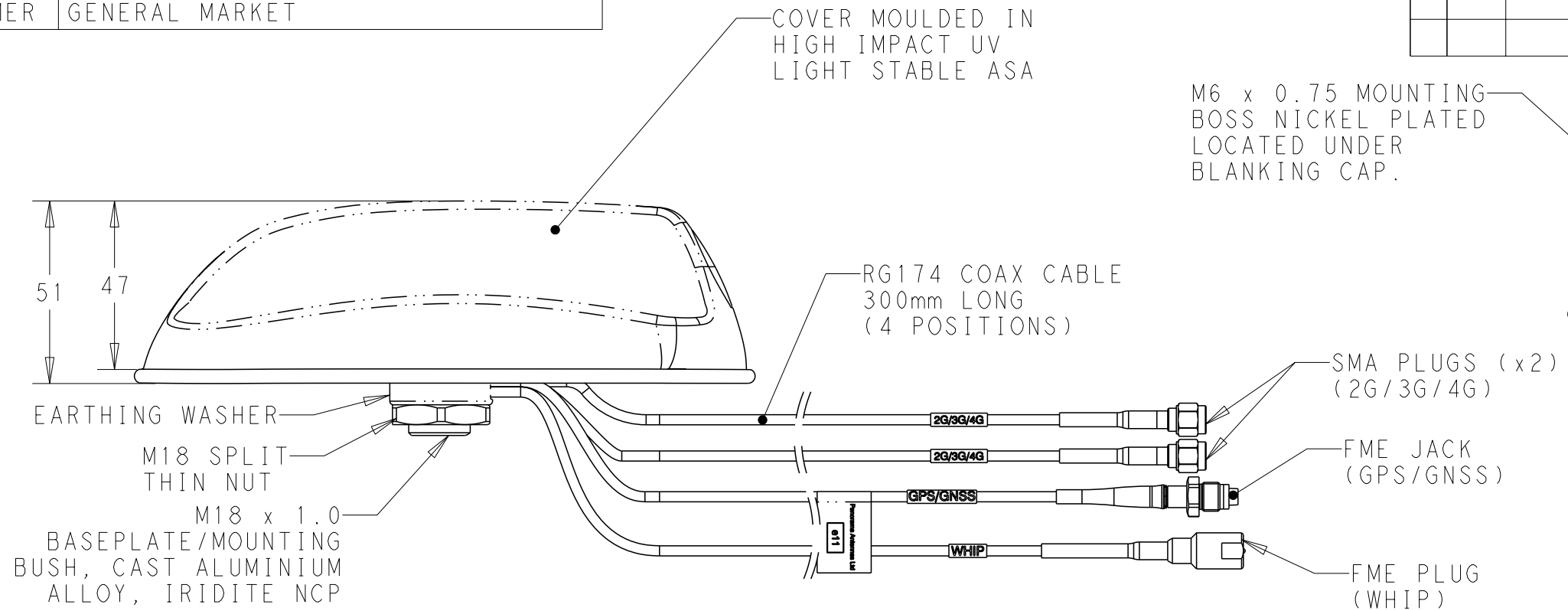
DIMENSIONS: mm	TOLERANCES UNLESS OTHERWISE SPECIFIED:
	0 PLC ±0.5
	1 PLC ±0.2
	2 PLC ±0.1
	3 PLC ±
	4 PLC ±
	ANGLES ±1°
MATERIAL	FINISH
-	-
-	-

DWN KIRAN K 12JUL2016	 TE Connectivity	NAME MiMo with GPS/GNSS 2G/3G/4G WLAN ANT	RESTRICTED TO	
CHK GUNASEKHAR G 12JUL2016				
APVD GUNASEKHAR G 12JUL2016				
PRODUCT SPEC				
APPLICATION SPEC	SIZE	CAGE CODE	DRAWING NO	RESTRICTED TO
-	A300779	C-2823602	-	-
WEIGHT	SCALE NTS			SHEET 1 OF 2
CUSTOMER DRAWING	REV A1			

THIS DRAWING IS UNPUBLISHED. RELEASED FOR PUBLICATION 20
 © COPYRIGHT 20 BY - ALL RIGHTS RESERVED.

PROJECT	PRJ-16-000906992
PART NO.	1-2823602-2
HV DESC	2x2 CELLULAR MiMo + GPS + WHIP
CUSTOMER	GENERAL MARKET

REVISIONS					
P	LTR	DESCRIPTION	DATE	DWN	APVD
-	-	SEE SHEET 1	-	-	-

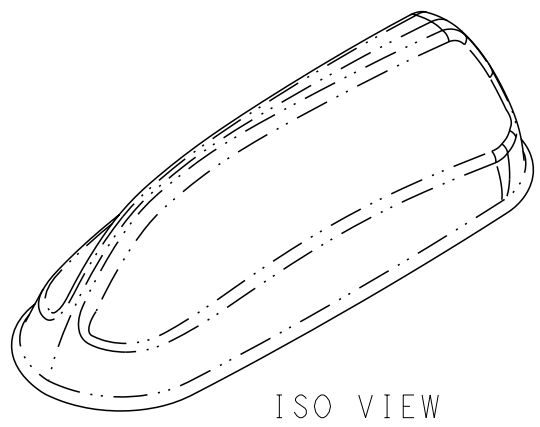
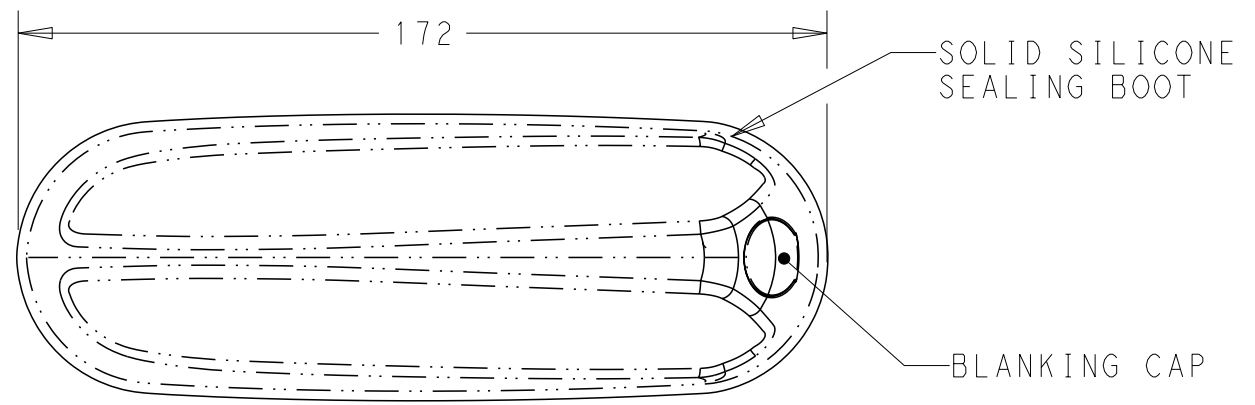


NOTES:

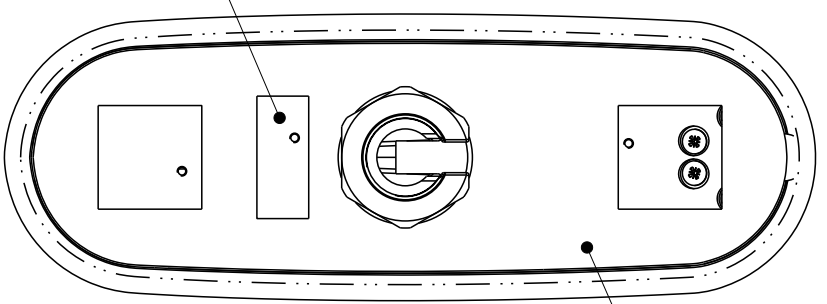
- ALL MATERIALS SUPPLIED MUST BE RoHS2 (DIRECTIVE 2011/65/EU) COMPLIANT AND MUST NOT CONTAIN ANY SUBSTANCES OF VERY HIGH CONCERN (SVHCs) LISTED UNDER REACH OR POLY-AROMATIC HYDROCARBONS (PAHs), OR PERSISTENT ORGANIC POLLUTANTS (POPs) CONTROLLED BY THE STOCKHOLM CONVENTI.
- WEIGHT: 219.36 gr.

OPERATING FREQUENCIES:

698 - 960 / 1710 - 2700 MHz x2
 1562 - 1612 MHz 26dB LNA



PRODUCT LABEL LOCATION



1-2823602-2	2x2 CELLULAR MiMo + GPS + WHIP	BLACK COLOR
TE PN'S	DESCRIPTION	REMARKS

THIS DRAWING IS A CONTROLLED DOCUMENT.	
DIMENSIONS: mm	TOLERANCES UNLESS OTHERWISE SPECIFIED:
	0 PLC ±0.5
	1 PLC ±0.2
	2 PLC ±0.1
	3 PLC ±
	4 PLC ±
	ANGLES ±1°
MATERIAL	FINISH
-	-
-	-

DWN	14SEP2016
KIRAN K	
CHK	14SEP2016
GUNASEKHAR G	
APVD	14SEP2016
GUNASEKHAR G	
PRODUCT SPEC	
-	
APPLICATION SPEC	
-	
WEIGHT	-
CUSTOMER DRAWING	

TE Connectivity		NAME	
		2x2 CELLULAR MiMo + GPS+ WHIP	
SIZE	CAGE CODE	DRAWING NO	RESTRICTED TO
A3	00779	C-2823602	-
SCALE		SHEET	REV
NTS		2 OF 2	A1

X-ON Electronics

Largest Supplier of Electrical and Electronic Components

Click to view similar products for [Antennas](#) category:

Click to view products by [TE Connectivity](#) manufacturer:

Other Similar products are found below :

[GAN30084EU](#) [930-033-R](#) [GW17.07.0250E](#) [1513563-1](#) [EXE902SM](#) [APAMPG-117](#) [MAF94383](#) [W3908B0100](#) [W6102B0100](#) [YE572113-30RSMM](#) [108-00014-50](#) [66089-2406](#) [SPDA17RP918](#) [A09-F8NF-M](#) [A09-F5NF-M](#) [RGFRA1903041A1T](#) [W3593B0100](#) [W3921B0100](#) [SIMNA-868](#) [SIMNA-915](#) [SIMNA-433](#) [W1044](#) [W1049B090](#) [A75-001](#) [WTL2449CQ1-FRSMM](#) [CPL9C](#) [EXB148BN](#) [0600-00060](#) [TRA9020S3PBN-001](#) [GD5W-28P-NF](#) [MA9-7N](#) [GD53-25](#) [GD5W-21P-NF](#) [C37](#) [MAF94051](#) [MA9-5N](#) [EXD420PL](#) [B1322NR](#) [QWFTB120](#) [MAF94271](#) [MAF94300](#) [GPSMB301](#) [FG4403](#) [AO-AGSM-OM54](#) [5200232](#) [MIKROE-2349](#) [WCM.01.0111](#) [MIKROE-2393](#) [MIKROE-2352](#) [MIKROE-2350](#)