

THIS DRAWING IS UNPUBLISHED.

RELEASED FOR PUBLICATION

20

© COPYRIGHT 20

ALL RIGHTS RESERVED.

LOC FT

DIST 0

REVISIONS

P	LTR	DESCRIPTION	DATE	DWN	APVD
	C2	REVISED PER ECO-12-007964	02MAY2012	KH	MS



1 MATERIALS AND FINISH  
HOUSING: PA 6-6, UL 94-V0, COLOR GREEN, RAL 7032.  
TERMINAL: COPPER ALLOY, TIN PLATED.

2

SUITABLE FOR 1,6-2,4mm PC BOARD THICKNESS.

3

END-TO-END STACKABLE WITHOUT LOSS OF CENTERLINE SPACING.

4

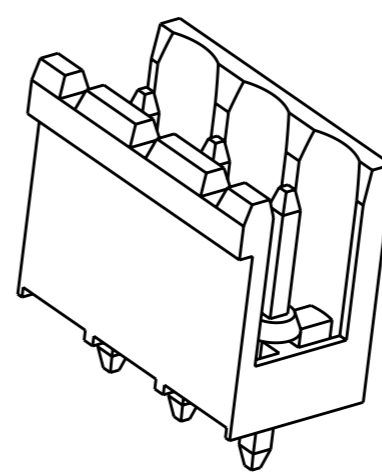
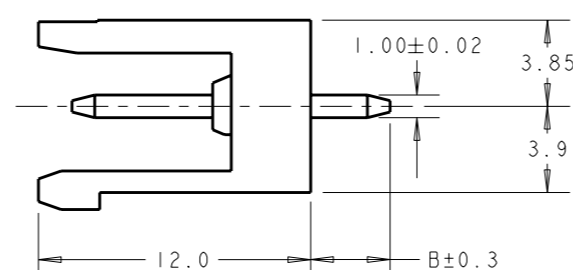
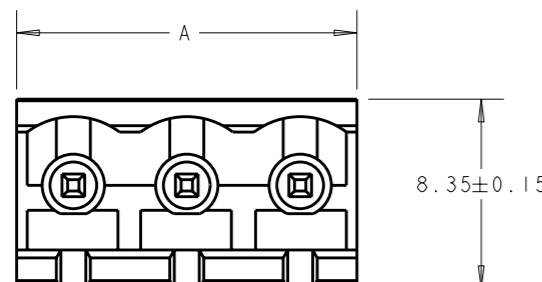
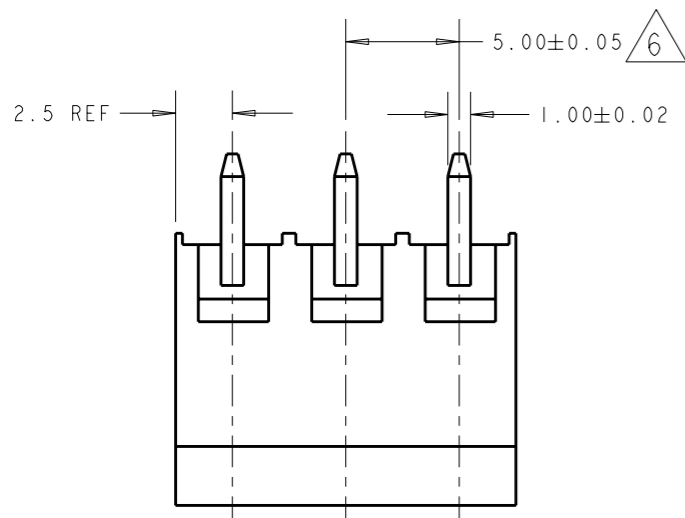
RECOGNIZED UNDER THE COMPONENT PROGRAM OF UNDERWRITERS LABORATORIES INC., FILE N° E60677.

5

IMQ CERTIFICATE WITH SURVEILLANCE IN CONFORMITY WITH IEC 998-1/998-2-1.

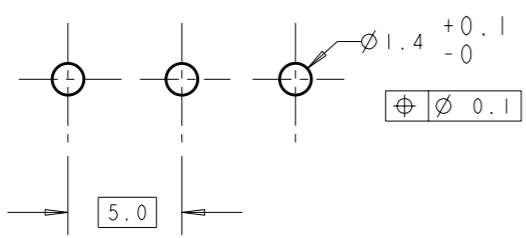


NOT CUMULATIVE TOLERANCE.



7.6	30	6	2-282822-6
	125	25	2-282822-5
	120	24	2-282822-4
	115	23	2-282822-3
	110	22	2-282822-2
	105	21	2-282822-1
	100	20	2-282822-0
	95	19	1-282822-9
	90	18	1-282822-8
	85	17	1-282822-7
	80	16	1-282822-6
	75	15	1-282822-5
	70	14	1-282822-4
	65	13	1-282822-3
	60	12	1-282822-2
	55	11	1-282822-1
	50	10	1-282822-0
	45	9	282822-9
	40	8	282822-8
	35	7	282822-7
	30	6	282822-6
	25	5	282822-5
	20	4	282822-4
	15	3	282822-3
	10	2	282822-2

DIM. B DIM. A N° POS. PART NUMBER



RECOMMENDED PC BOARD LAYOUT

THIS DRAWING IS A CONTROLLED DOCUMENT.		DWN E. ZANOLINI 20JUL2001	TE Connectivity	
DIMENSIONS: mm		CHK D. BIEVENOUR 20JUL2001		
TOLERANCES UNLESS OTHERWISE SPECIFIED:		APVD D. BIEVENOUR 20JUL2001	NAME	
0 PLC ±-		PRODUCT SPEC 108-20166	TERMINAL BLOCK HEADER ASSEMBLY	
1 PLC ±.2		APPLICATION SPEC 114-20079	180 DEG OPEN ENDS, STACKING	
2 PLC ±.25		WEIGHT -	5mm PITCH	
3 PLC ±-		CUSTOMER DRAWING	SIZE A3	RESTRICTED TO -
4 PLC ±-			CAGE CODE 00779	DRAWING NO C-282822
ANGLES ±.2		SCALE 3:1		SHEET 1 OF 1
FINISH		REV C2		

## X-ON Electronics

Largest Supplier of Electrical and Electronic Components

*Click to view similar products for [Pluggable Terminal Blocks](#) category:*

*Click to view products by [TE Connectivity](#) manufacturer:*

Other Similar products are found below :

[57.510.0053](#) [MC 1.5/ 6-ST-3.5 GY AU](#) [ET02015000J0G](#) [734-104](#) [734-302](#) [8-141-P](#) [8426620000](#) [860505](#) [860516](#) [860810](#) [GBPACX-12](#)  
[93.731.4953.0](#) [PV05-5,08-K](#) [PVP03-3,50](#) [PVP04-3,50](#) [PVS02-5,00](#) [1-1986160-3](#) [1377680000](#) [1531000000](#) [1546228-5](#) [ELFH16150](#)  
[ELFP03110](#) [ELFP10210](#) [ELFT06250](#) [ELVP03100](#) [1700101](#) [1700410](#) [1700425](#) [1702246](#) [1705229](#) [1710175](#) [1714537](#) [1717806](#) [1719600](#)  
[1728941](#) [1734692](#) [1734795](#) [1736036](#) [1740194](#) [1740628](#) [1740990](#) [1746952](#) [1750207](#) [1752441](#) [1752865](#) [1754115](#) [1754144](#) [1756913](#)  
[1760051](#) [1760336](#)