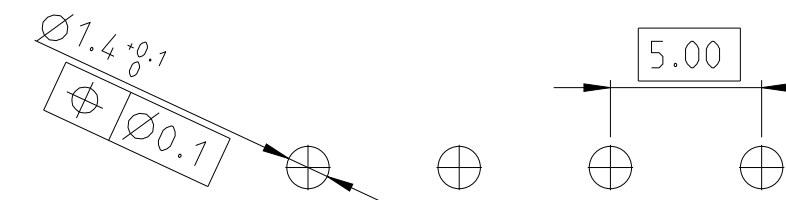
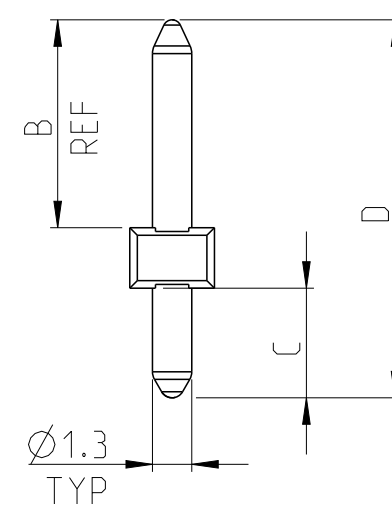
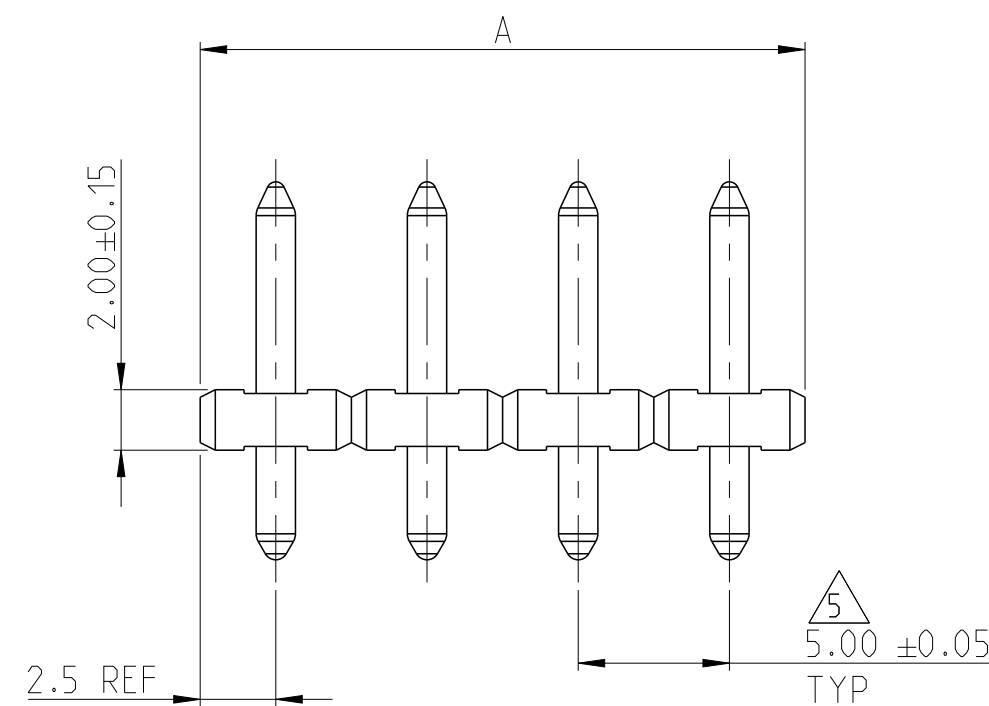
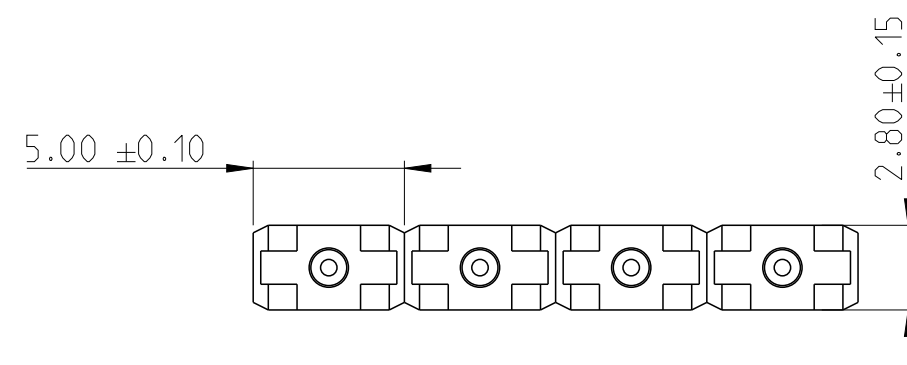
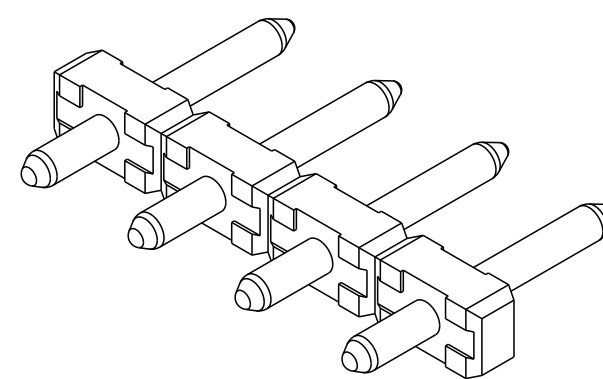


| P | LTR | DESCRIPTION                              | DATE      | DWN | APVD |
|---|-----|--|-----------|-----|------|
|   | H8  | PN 3-282832-9 IS RELEASED FOR PRODUCTION | 01JUL2019 | RK  | PS   |



RECOMMENDED PC BOARD LAYOUT

| PRELIMINARY      | TIN  | 20.5 | 3.5 | 15.0 | 45.0  | 9          | 4-282832-1            |
|------------------|------|------|-----|------|-------|------------|-----------------------|
|                  | TIN  | 20.5 | 4.5 | 14.0 | 30.0  | 6          | 4-282832-0            |
|                  | TIN  | 20.5 | 3.5 | 15.0 | 20.0  | 4          | 3-282832-9            |
| PRELIMINARY      | TIN  | 20.5 | 3.5 | 15.0 | 15.0  | 3          | 3-282832-8            |
|                  |      | 16.5 | 3.5 | 11.0 | 20.0  | 4          | 3-282832-7            |
|                  |      | 20.5 | 4.5 | 14.0 | 15.0  | 3          | 3-282832-6            |
| OBSOLETE         | TIN  | 21.1 |     | 15.6 | 20.0  | 4          | <del>3-282832-5</del> |
|                  |      |      |     |      | 15.0  | 3          | <del>3-282832-4</del> |
| OBSOLETE         | GOLD | 16.5 |     | 11.0 | 15.0  | 3          | 3-282832-3            |
|                  |      |      |     |      | 10.0  | 2          | <del>3-282832-2</del> |
| OBSOLETE         |      | 12.5 | 3.5 | 7.0  | 15.0  | 3          | <del>2-282832-7</del> |
|                  |      |      |     |      | 125.0 | 25         | <del>2-282832-6</del> |
|                  |      |      |     |      | 120.0 | 24         | 2-282832-5            |
|                  |      |      |     |      | 115.0 | 23         | <del>2-282832-4</del> |
|                  |      |      |     |      | 110.0 | 22         | <del>2-282832-3</del> |
|                  |      |      |     |      | 105.0 | 21         | <del>2-282832-2</del> |
|                  |      |      |     |      | 100.0 | 20         | 2-282832-1            |
|                  |      |      |     |      | 95.0  | 19         | <del>2-282832-0</del> |
|                  |      |      |     |      | 90.0  | 18         | <del>1-282832-9</del> |
|                  |      |      |     |      | 85.0  | 17         | <del>1-282832-8</del> |
|                  |      |      |     |      | 80.0  | 16         | 1-282832-7            |
|                  |      |      |     |      | 75.0  | 15         | 1-282832-6            |
|                  |      |      |     |      | 70.0  | 14         | <del>1-282832-5</del> |
| OBSOLETE         | TIN  | 16.5 | 3.5 | 11.0 | 65.0  | 13         | <del>1-282832-4</del> |
|                  |      |      |     |      | 40.0  | 8          | 1-282832-3            |
|                  |      |      |     |      | 60.0  | 12         | 1-282832-2            |
|                  |      |      |     |      | 55.0  | 11         | 1-282832-1            |
|                  |      |      |     |      | 50.0  | 10         | 1-282832-0            |
|                  |      |      |     |      | 45.0  | 9          | 282832-9              |
|                  |      |      |     |      | 40.0  | 8          | 282832-8              |
|                  |      |      |     |      | 35.0  | 7          | 282832-7              |
|                  |      |      |     |      | 30.0  | 6          | 282832-6              |
|                  |      |      |     |      | 25.0  | 5          | 282832-5              |
|                  |      |      |     |      | 20.0  | 4          | 282832-4              |
|                  |      |      |     |      | 15.0  | 3          | 282832-3              |
|                  |      |      |     |      | 10.0  | 2          | 282832-2              |
| TERMINAL PLATING |      | D    | C   | B    | A     | NO OF POSN | PART NUMBER           |



282832-4 AS SHOWN

- NOTES:
- MATERIALS AND FINISH:  
HOUSING: PA 4T, UL 94-V0, COLOR GREEN  
TERMINAL: COPPER ALLOY, PLATING: SEE TABLE.
  - MECHANICAL  
MIN. PC BOARD HOLES DIAMETER : 1.4mm  
MAX. PC BOARD THICKNESS : 2.4mm
  - ELECTRICAL  
MAX. VOLTAGE : 300 V  
MAX CURRENT : 12 A  
CONTACT RESISTANCE : < 15 m Ohm  
INSULATION RESISTANCE : > 1000 M Ohm (500V DC)
  - OPERATING TEMPERATURE RANGE: -40°C TO +105°C
  - TOLERANCE NOT CUMULATIVE.
  - END-TO-END STACKABLE WITHOUT LOSS OF CENTERLINE SPACING.
  - RECOGNIZED UNDER THE COMPONENT PROGRAM OF UNDERWRITERS LABORATORIES INC. FILE NO E60677.

THIS DRAWING IS A CONTROLLED DOCUMENT.

DWN E. ZANDLIN 14 AUG 2001  
CHK D. BIEVENOUR 14 AUG 2001  
APVD D. BIEVENOUR 14 AUG 2001

TE Connectivity

NAME: TERMINAL BLOCK PIN HEADER UNSHROUDED 5.0 mm PITCH

SIZE: A2 CAGE CODE: 100779 DRAWING NO: C-282832 RESTRICTED TO: -

MATERIAL: SEE NOTES TOLERANCES UNLESS OTHERWISE SPECIFIED: SEE NOTES

0 PLC ±  
1 PLC ±0.3  
2 PLC ±0.25  
3 PLC ±  
4 PLC ±

ANGLES ±2°  
FINISH: SEE NOTES

PRODUCT SPEC: -  
APPLICATION SPEC: -  
WEIGHT: -

CUSTOMER DRAWING SCALE: 4:1 SHEET: 1 OF 1 REV: H8

## X-ON Electronics

Largest Supplier of Electrical and Electronic Components

*Click to view similar products for [Pluggable Terminal Blocks](#) category:*

*Click to view products by [TE Connectivity](#) manufacturer:*

Other Similar products are found below :

[57.510.0053](#) [MC 1.5/ 6-ST-3.5 GY AU](#) [734-104](#) [734-302](#) [8-141-P](#) [8426620000](#) [860505](#) [860516](#) [860810](#) [GBPACX-12](#) [93.731.4953.0](#) [PV05-5,08-K](#) [PVP02-5,00](#) [PVP03-3,50](#) [PVP04-3,50](#) [PVS02-5,00](#) [1-1986160-3](#) [1377680000](#) [1531000000](#) [1546228-5](#) [ELFH16150](#) [ELFP03110](#) [ELFP10210](#) [ELFT06250](#) [ELVP03100](#) [1700101](#) [1700410](#) [1700425](#) [1702246](#) [1705229](#) [1710175](#) [1714537](#) [1717806](#) [1719600](#) [1728941](#) [1734692](#) [1734795](#) [1736036](#) [1740194](#) [1740291](#) [1740628](#) [1740990](#) [1746952](#) [1750207](#) [1752441](#) [1752865](#) [1754115](#) [1754144](#) [1756913](#) [1760051](#)