

THIS DRAWING IS UNPUBLISHED.

RELEASED FOR PUBLICATION

20

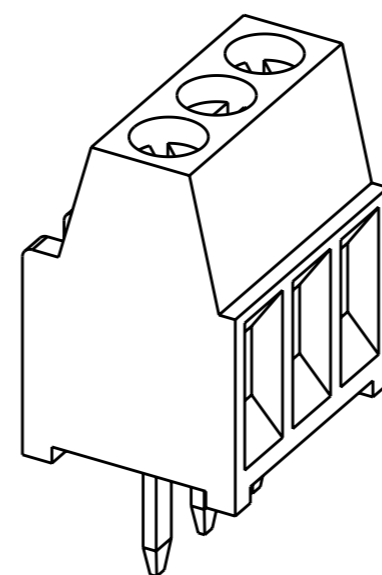
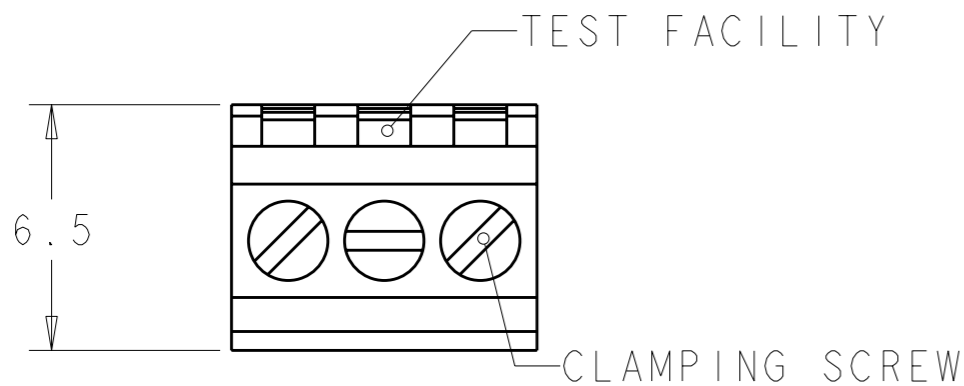
© COPYRIGHT 20

ALL RIGHTS RESERVED.

LOC FT DIST 0

REVISIONS

P	LTR	DESCRIPTION	DATE	DWN	APVD
	CI	REVISED PER ECO-11-007905	15APR2011	HMR	CR



282834-3 AS SHOWN

1 MATERIALS AND FINISH  
 HOUSING: PA 6-6, UL 94-V0, COLOR GREEN.  
 CLAMP: BRASS, NICKEL PLATED.  
 TERMINAL: BRASS, TIN PLATED.  
 CLAMPING SCREW: M1.6, STAINLESS STEEL.

2 SUITABLE FOR 1,6-2,4mm PC BOARD THICKNESS.

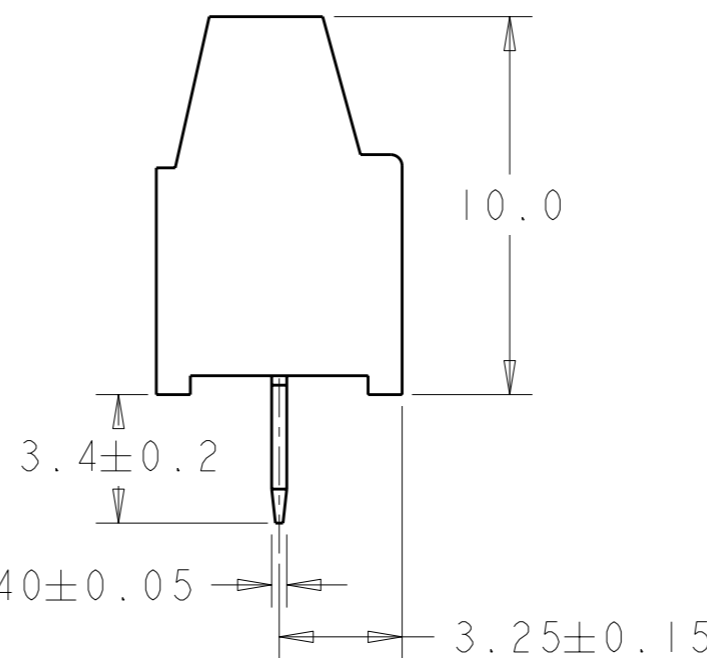
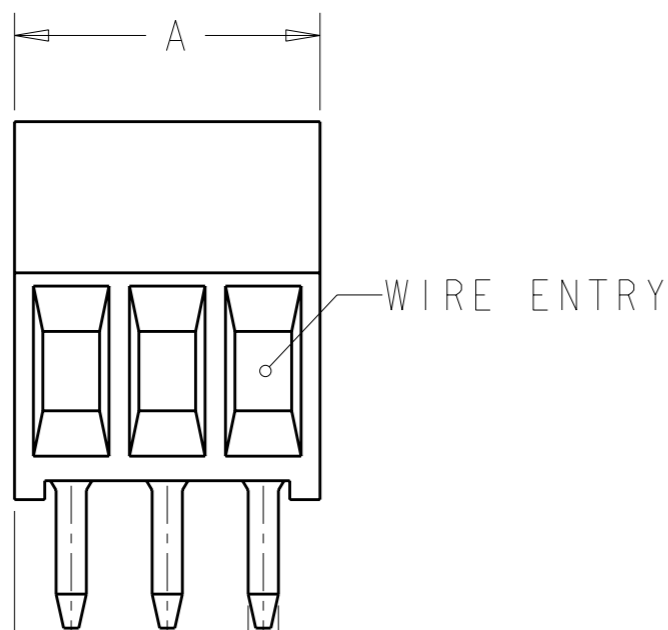
3 CONNECTION POWER  
 SOLID WIRE: 0,03-1mm (17AWG)  
 STRANDED WIRE: 0,03-0,75mm (18AWG)<sub>2</sub>

4 RECOGNIZED UNDER THE COMPONENT PROGRAM OF UNDERWRITERS LABORATORIES INC. FILE N° E60677.

5 POSSIBILITY TO PUT TWO OR THREE TERMINAL BLOCKS SIDE BY SIDE BY INCREASING THE DIAMETER OF THE PCB HOLES TO MINIMUM 1,3mm.

6 NOT CUMULATIVE TOLERANCE.

7 TORQUE: 1.73 in-lbs MAX

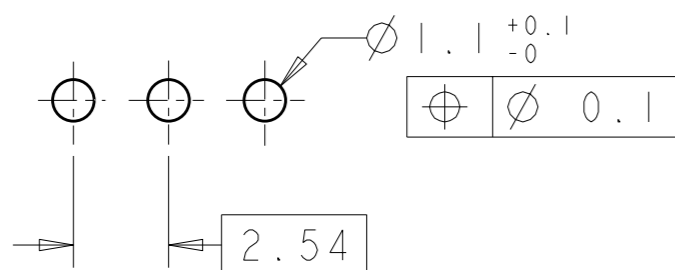


1.5 REF 0.80±0.05

6 2.54±0.05

30.94	12	1-282834-2
28.40	11	1-282834-1
25.86	10	1-282834-0
23.32	9	282834-9
20.78	8	282834-8
18.24	7	282834-7
15.70	6	282834-6
13.16	5	282834-5
10.62	4	282834-4
8.08	3	282834-3
5.54	2	282834-2
DIM. A	N° OF POS.	PART NUMBER

RECOMMENDED PC BOARD LAYOUT



THIS DRAWING IS A CONTROLLED DOCUMENT.

DIMENSIONS: mm

TOLERANCES UNLESS OTHERWISE SPECIFIED:

- 0 PLC ±-
- 1 PLC ±.3
- 2 PLC ±.25
- 3 PLC ±-
- 4 PLC ±-
- ANGLES ±2

MATERIAL

FINISH



DWN 15AUG2001 E. ZANOLINI

CHK 15AUG2001 D. BIEVENOUR

APVD 15AUG2001 D. BIEVENOUR

PRODUCT SPEC

108-20166

APPLICATION SPEC

114-20079

WEIGHT -

CUSTOMER DRAWING



TE Connectivity

NAME: TERMINAL BLOCK PCB MOUNT SIDE WIRE ENTRY STACKING 2.54mm PITCH

SIZE: A3 CAGE CODE: 00779 DRAWING NO: C-282834 RESTRICTED TO: -

SCALE: 5:1 SHEET: 1 OF 1 REV: CI

## X-ON Electronics

Largest Supplier of Electrical and Electronic Components

*Click to view similar products for [Fixed Terminal Blocks](#) category:*

*Click to view products by [TE Connectivity](#) manufacturer:*

Other Similar products are found below :

[MBE-1512](#) [MBE-154](#) [MBE-156](#) [MBES-153](#) [MBES-156](#) [MH-2512](#) [MHE-132](#) [MHE-163](#) [MI-254 \(35\)](#) [MI-272](#) [880507](#) [MPT-275](#)  
[15602-04-08-21](#) [BA311TU](#) [BA411SU](#) [MV-152](#) [MV-252-D](#) [MV-253/NCNOC](#) [MV-254-D](#) [MV-255](#) [MV-462](#) [MV-493](#) [MVE-252](#) [MVE-253](#)  
[MVE-273](#) [MVEB-153](#) [1700096](#) [1705142](#) [1712417](#) [1713020](#) [1713088](#) [1745195](#) [1760594](#) [1776118-2](#) [1790852](#) [1-796689-8](#) [1-796692-6](#)  
[1800001](#) [1800114](#) [1995279](#) [20020314-C121B01LF](#) [CB2-12](#) [KP03215000J0G](#) [KP04215000J0G](#) [S451](#) [282802-2](#) [29.007](#) [29.116](#) [30.103](#)  
[30.106](#)