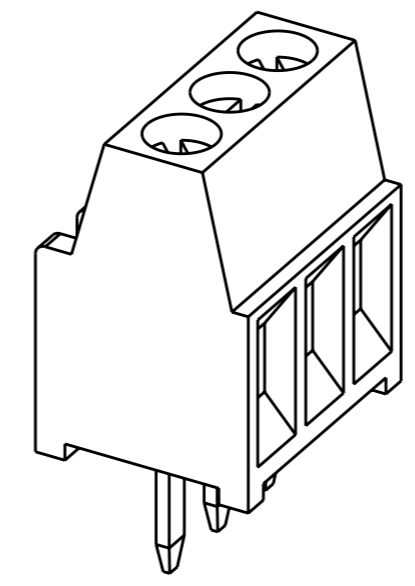
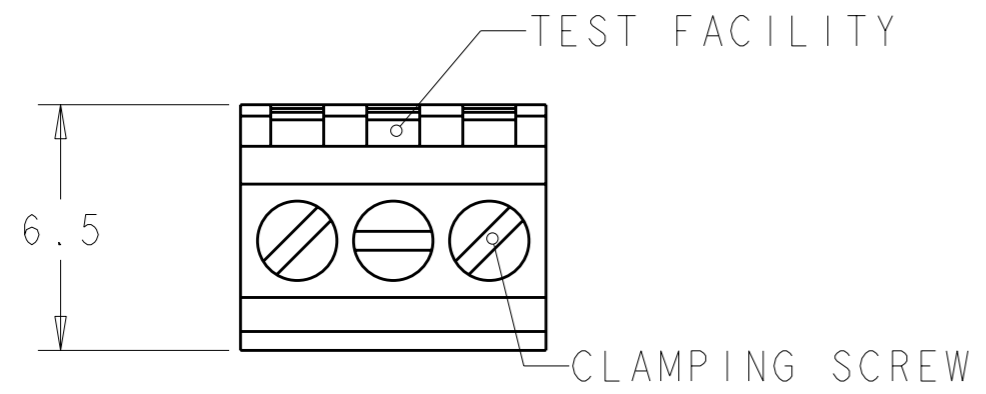


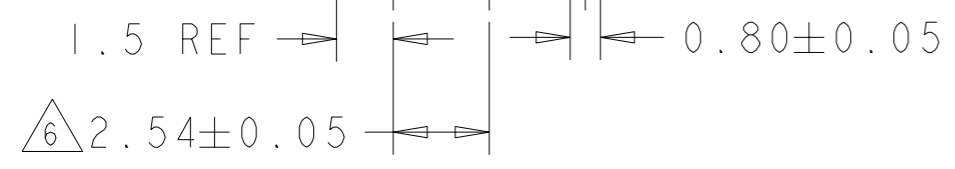
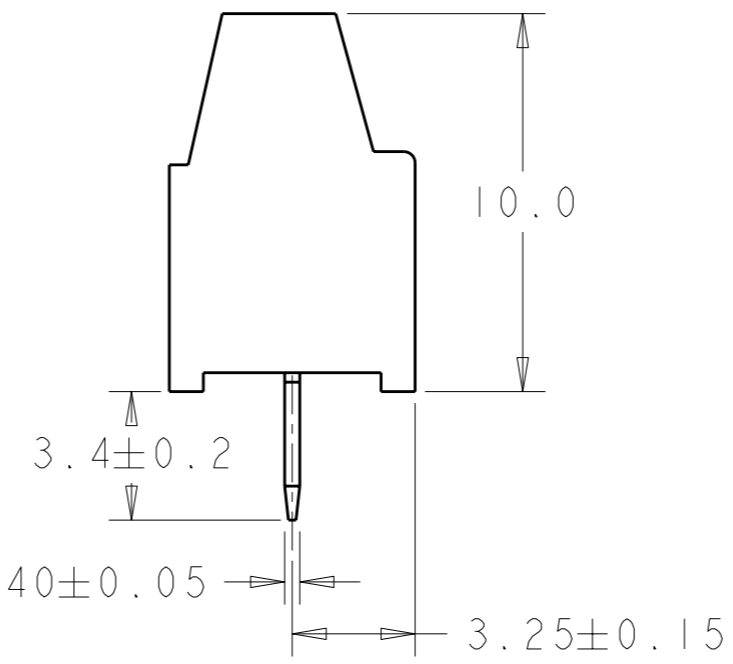
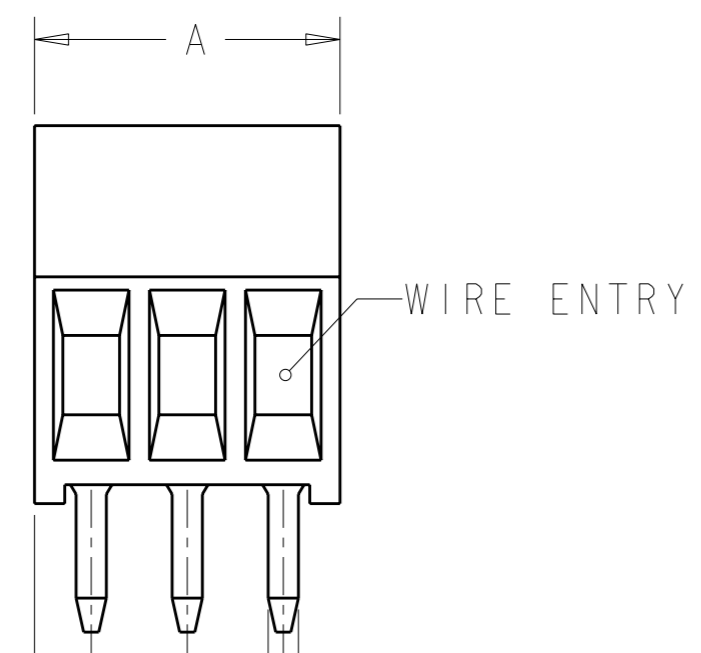
THIS DRAWING IS UNPUBLISHED. RELEASED FOR PUBLICATION 20
 © COPYRIGHT 20 ALL RIGHTS RESERVED.

LOC	DIST	REVISIONS			
P	LTR	DESCRIPTION	DATE	DWN	APVD
FT	0	C1	REVISED PER ECO-11-007905	15APR2011	HMR CR



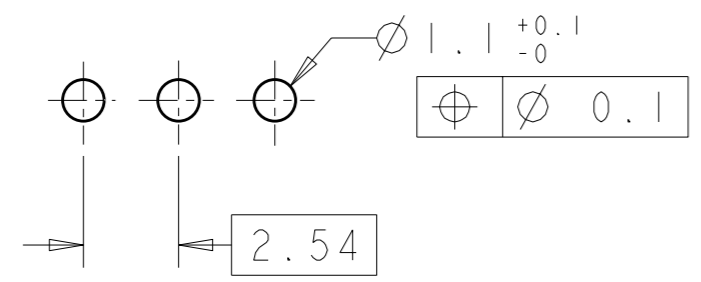
282834-3 AS SHOWN

- 1 MATERIALS AND FINISH
 HOUSING: PA 6-6, UL 94-V0, COLOR GREEN.
 CLAMP: BRASS, NICKEL PLATED.
 TERMINAL: BRASS, TIN PLATED.
 CLAMPING SCREW: M1.6, STAINLESS STEEL.
- 2 SUITABLE FOR 1,6-2,4mm PC BOARD THICKNESS.
- 3 CONNECTION POWER
 SOLID WIRE: 0,03-1mm (17AWG).
 STRANDED WIRE: 0,03-0,75mm (18AWG)₂
- 4 RECOGNIZED UNDER THE COMPONENT PROGRAM OF
 UNDERWRITERS LABORATORIES INC. FILE N° E60677.
- 5 POSSIBILITY TO PUT TWO OR THREE TERMINAL BLOCKS
 SIDE BY SIDE BY INCREASING THE DIAMETER OF THE
 PCB HOLES TO MINIMUM 1,3mm.
- 6 NOT CUMULATIVE TOLERANCE.
- 7 TORQUE: 1.73 in-lbs MAX



DIM. A	N° OF POS.	PART NUMBER
30.94	12	1-282834-2
28.40	11	1-282834-1
25.86	10	1-282834-0
23.32	9	282834-9
20.78	8	282834-8
18.24	7	282834-7
15.70	6	282834-6
13.16	5	282834-5
10.62	4	282834-4
8.08	3	282834-3
5.54	2	282834-2

RECOMMENDED PC BOARD LAYOUT



THIS DRAWING IS A CONTROLLED DOCUMENT.		DWN E. ZANOLINI 15AUG2001		TE Connectivity STE	
DIMENSIONS: mm		CHK D. BIEVENOUR 15AUG2001			
TOLERANCES UNLESS OTHERWISE SPECIFIED:		APVD D. BIEVENOUR 15AUG2001			
0 PLC ±- 1 PLC ±.3 2 PLC ±.25 3 PLC ±- 4 PLC ±- ANGLES ±2		PRODUCT SPEC 108-20166			
MATERIAL		FINISH		NAME	
				TERMINAL BLOCK PCB MOUNT SIDE WIRE ENTRY STACKING 2.54mm PITCH	
CUSTOMER DRAWING		WEIGHT -		SIZE A3	CAGE CODE 00779
				DRAWING NO C-282834	RESTRICTED TO -
				SCALE 5:1	SHEET 1 OF 1
				REV C1	

X-ON Electronics

Largest Supplier of Electrical and Electronic Components

Click to view similar products for [Fixed Terminal Blocks](#) category:

Click to view products by [TE Connectivity](#) manufacturer:

Other Similar products are found below :

[MBE-1512](#) [MBE-1520](#) [MBE-154](#) [MBE-156](#) [MBES-156](#) [MH-2512](#) [MHE-132](#) [MHE-163](#) [MI-254 \(35\)](#) [MI-272](#) [MPT-275](#) [ELM10110G](#)
[BA311TU](#) [BA411SU](#) [MV-253/NCNOC](#) [MV-254-D](#) [MV-255](#) [MV-493](#) [MVE-252](#) [MVE-253](#) [MVE-273](#) [MVEB-153](#) [1700096](#) [1705142](#)
[1712417](#) [1713088](#) [1745195](#) [1760594](#) [1-796689-8](#) [1-796692-6](#) [1800114](#) [20020314-C121B01LF](#) [20020316-G041B01LF](#) [KP03215000J0G](#)
[KP04215000J0G](#) [S451](#) [29.007](#) [29.116](#) [30.103](#) [30.106](#) [30.503](#) [30.608](#) [30.755](#) [30.853](#) [9872-0-00-15-00-00-33-0](#) [996750](#) [1706303](#) [1710052](#)
[1712418](#) [1733868](#)