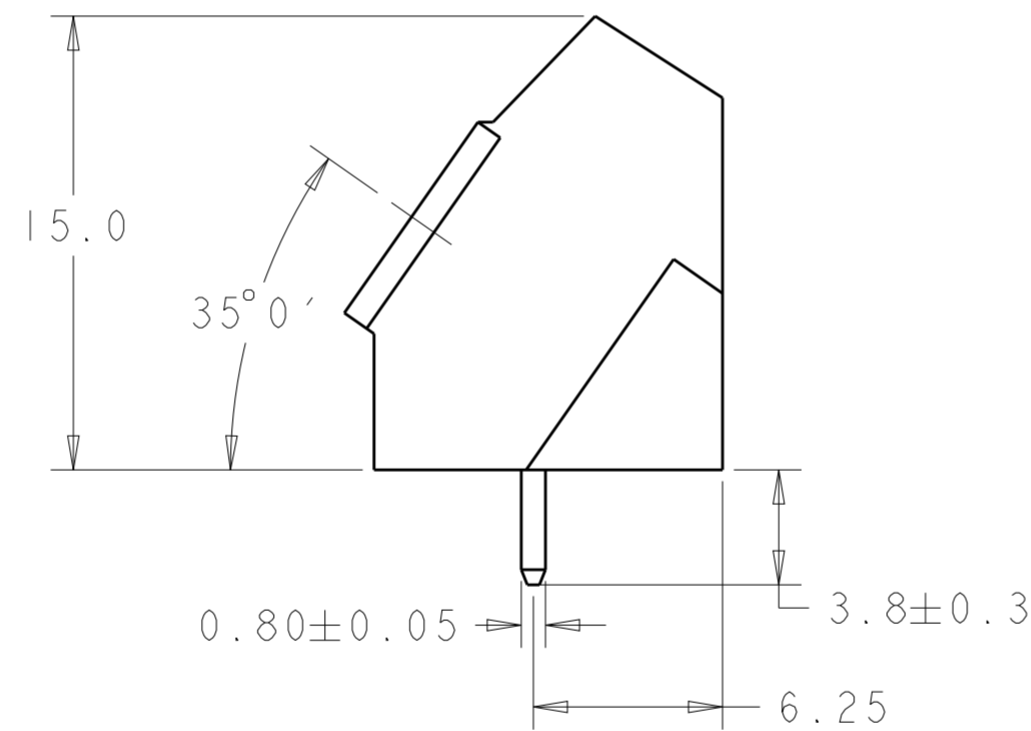
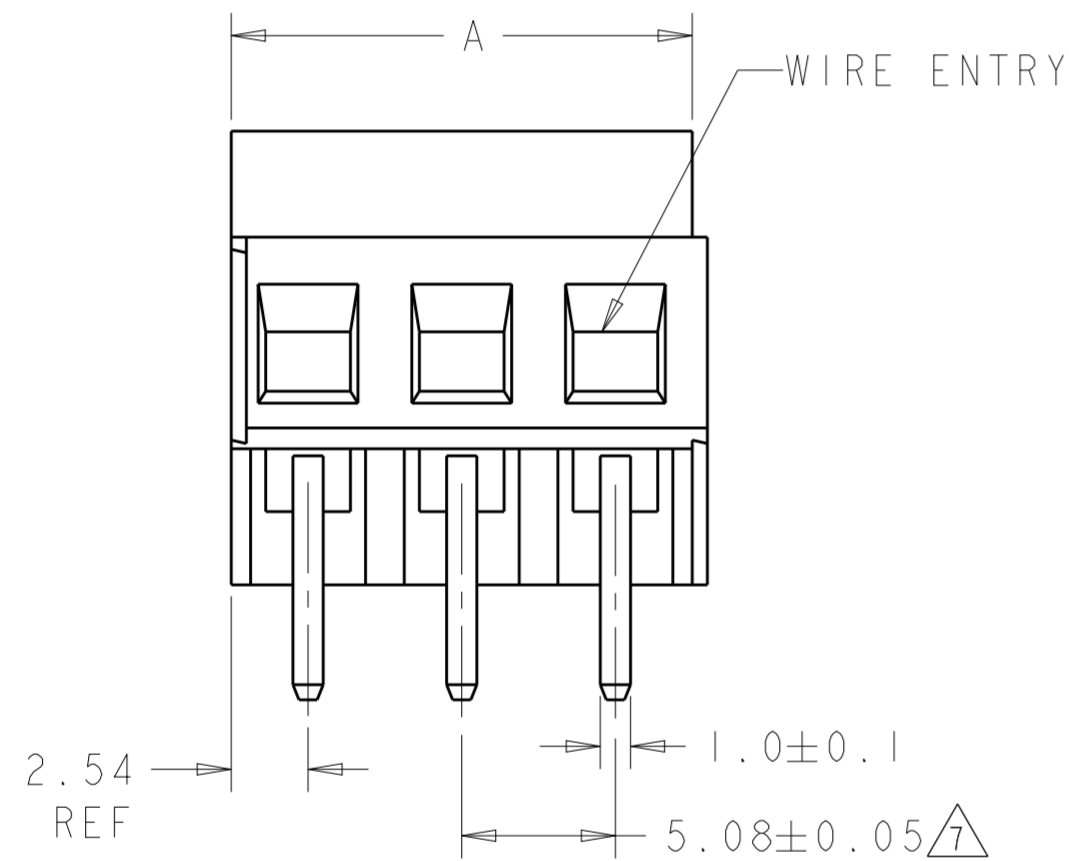
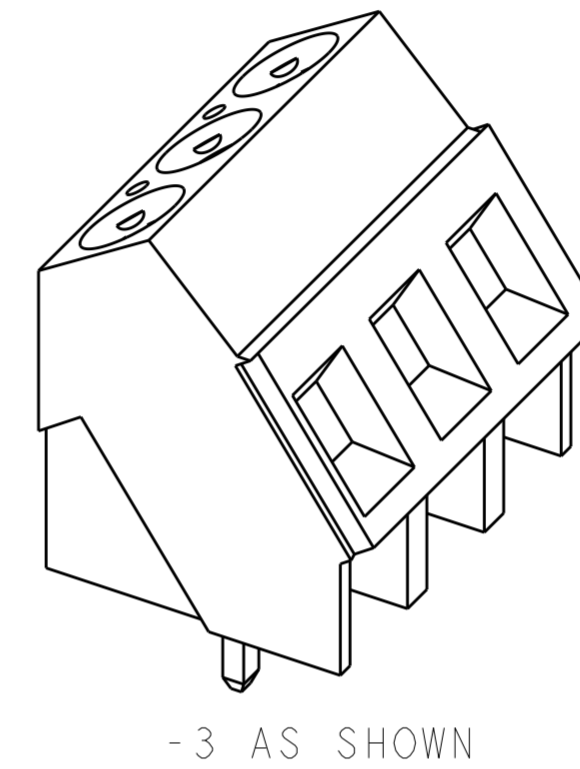
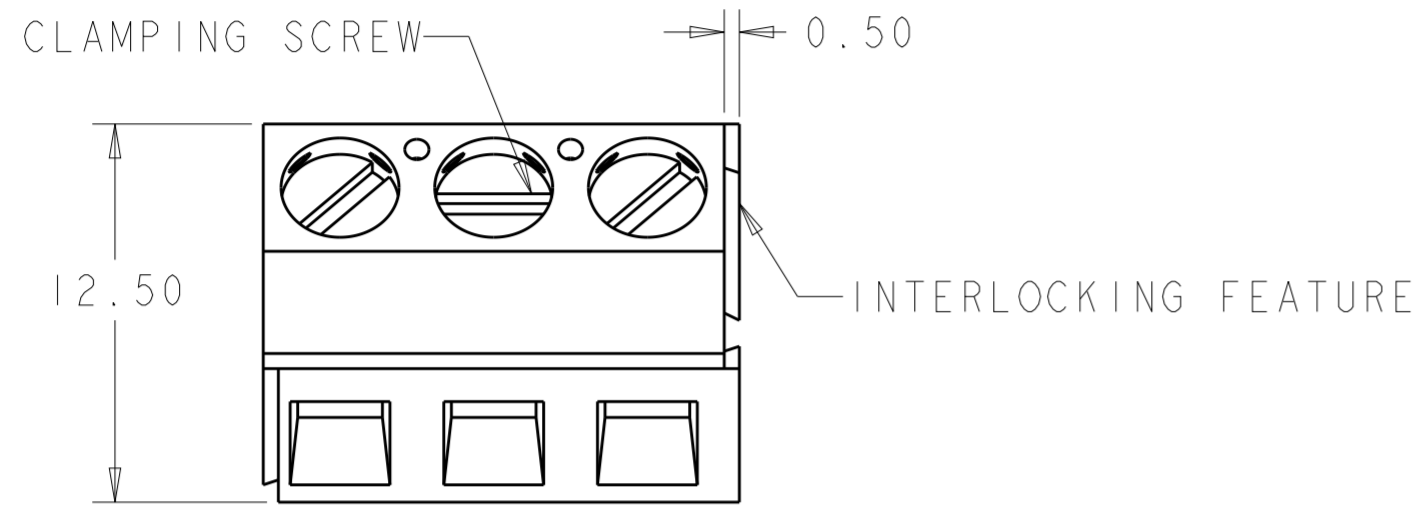
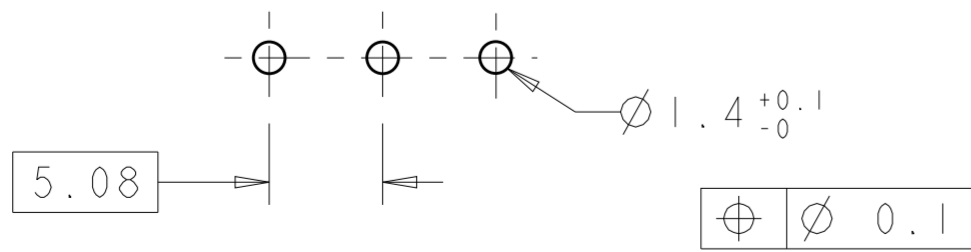


P	LTR	DESCRIPTION	DATE	DWN	APVD
D4		PART STATUS UPDATED	11JAN2018	RK	PS
D5		2-282847-5 PART OBSOLETE	30AUG2020	DV	PS



RECOMMENDED PC BOARD LAYOUT



COLOR	DIM. A	MARKING	COMPOSITION	NO POS.	PART NUMBER
GREEN	15.24	9 1, 2, 3	-	3	<del>2-282847-5</del>
ORANGE	15.24	-	-	3	<del>2-282847-3</del>
	45.72	9 SEE SHEET 2	3+3+3 pos.	9	<del>1-282847-4</del>
	66.04	9 SEE SHEET 2	2+2+3+3+3 pos.	13	<del>1-282847-3</del>
	60.96	-	3+3+3+3 pos.	12	<del>1-282847-2</del>
	55.88	-	3+3+3+2 pos.	11	<del>1-282847-1</del>
	50.80	-	3+3+2+2 pos.	10	<del>1-282847-0</del>
GREEN	45.72	-	3+3+3 pos.	9	282847-9
	40.64	-	3+3+2 pos.	8	282847-8
	35.56	-	3+2+2 pos.	7	282847-7
	30.48	-	3+3 pos.	6	282847-6
	25.40	-	3+2 pos.	5	282847-5
	20.32	-	2+2 pos.	4	282847-4
	15.24	-	-	3	282847-3
	10.16	-	-	2	282847-2

THIS DRAWING IS A CONTROLLED DOCUMENT.

DWN E. ZANOLINI ISMAR2001  
CHK D. BIEVENOUR ISMAR2001  
APVD D. BIEVENOUR ISMAR2001

**STE** TE Connectivity

NAME: TERMINAL BLOCK, PCB MOUNT  
ANGLED ENTRY WIRE, STACKING  
W/ INTERLOCK, 5.08mm, PITCH

PRODUCT SPEC: -  
APPLICATION SPEC: -  
WEIGHT: -

SIZE: A2 CAGE CODE: 00779 DRAWING NO: C-282847 RESTRICTED TO: -

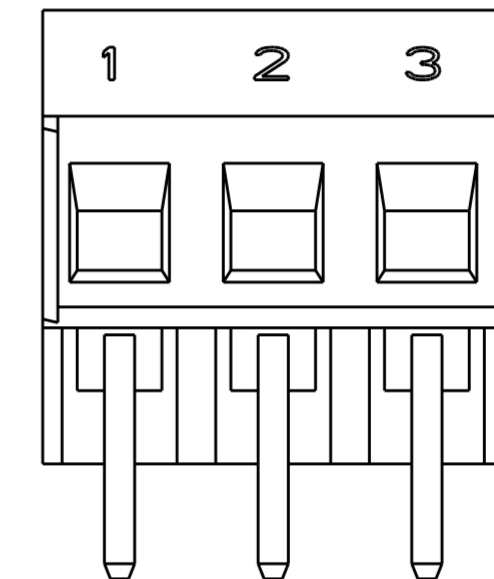
MATERIAL: 1 TOLERANCES UNLESS OTHERWISE SPECIFIED: 1

0 PLC ±3  
1 PLC ±.3  
2 PLC ±.25  
3 PLC ±.  
4 PLC ±.  
ANGLES ±2  
FINISH 1

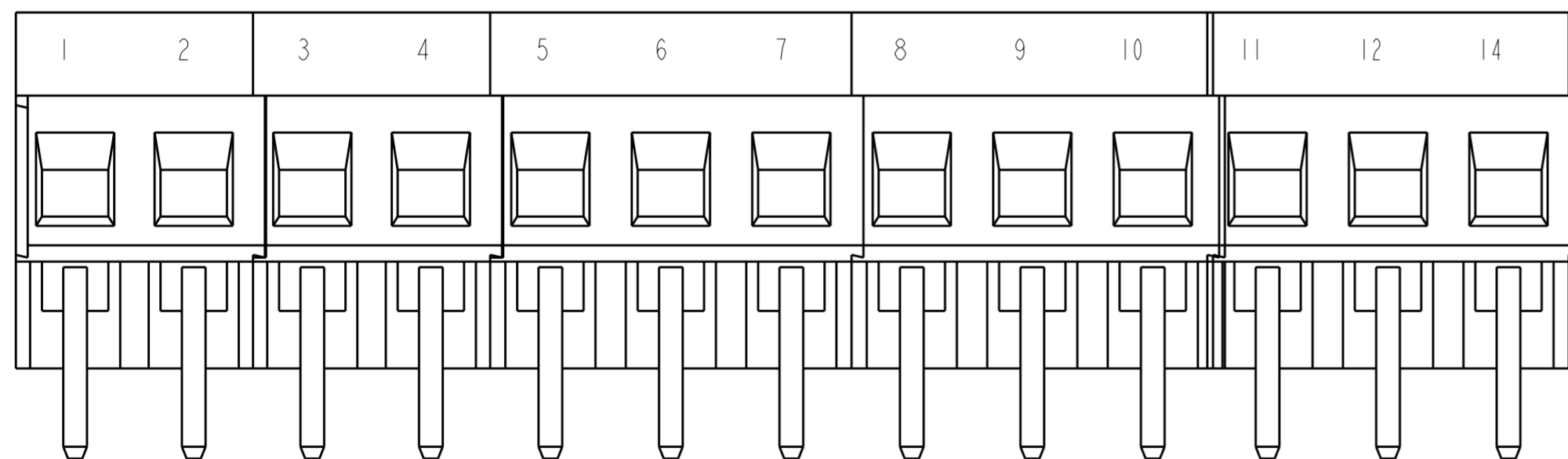
CUSTOMER DRAWING SCALE: 4:1 SHEET 1 OF 2 REV D5

P	LTR	DESCRIPTION	DATE	DWN	APVD
-		SEE SHEET 1	-	-	-

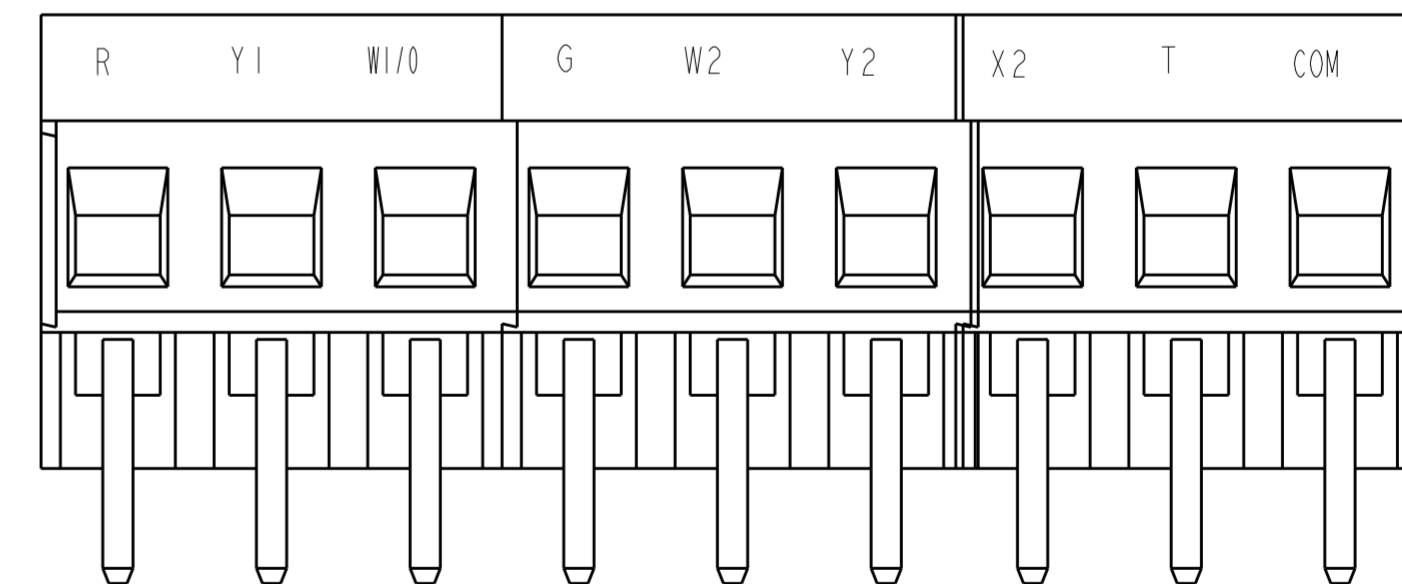
- 1 MATERIALS AND FINISH:  
HOUSING: PA 6-6, UL 94-V0, COLOR: SEE TABLE.  
CLAMP: BRASS, NICKEL PLATED.  
TERMINAL: BRASS, TIN PLATED.  
CLAMPING SCREW: M3, BRASS, NICKEL PLATED.
- 2 SUITABLE FOR 1,6-2,4mm PCB THICKNESS.
- 3 END-TO-END STACKABLE W/INTERLOCK, WITHOUT LOSS OF CENTERLINE SPACING.
- 4 WIRE SIZE RANGE:  
SOLID WIRE: 0,03-2,5mm<sup>2</sup> (13AWG)  
STRANDED WIRE: 0,03-1,5mm<sup>2</sup> (15AWG)
- 5 RECOGNIZED UNDER THE COMPONENT PROGRAM OF UNDERWRITERS LABORATORIES INC., FILE NO E60677.
- 6 IMQ CERTIFICATE WITH SURVEILLANCE IN CONFORMITY WITH IEC 998-1/998-2-1.
- 7 NOT CUMULATIVE TOLERANCE.
- 8 P/NS OBTAINED BY GLUING AND ASSEMBLYING TOGETHER LISTED CONNECTORS.
- 9 INK MARKING, BLACK COLOR



P/N 2-282847-5 AS SHOWN



P/N ~~1-282847-3~~ AS SHOWN  
OBSOLETE



P/N ~~1-282847-4~~ AS SHOWN  
OBSOLETE

THIS DRAWING IS A CONTROLLED DOCUMENT.		DWN E. ZANOLINI	15MAR2001	<b>STE</b> TE Connectivity													
DIMENSIONS: mm		CHK D. BIEVENOUR	15MAR2001														
TOLERANCES UNLESS OTHERWISE SPECIFIED:		APVD D. BIEVENOUR	15MAR2001														
<table border="0"> <tr><td>0 PLC</td><td>±-</td></tr> <tr><td>1 PLC</td><td>±.3</td></tr> <tr><td>2 PLC</td><td>±.25</td></tr> <tr><td>3 PLC</td><td>±-</td></tr> <tr><td>4 PLC</td><td>±-</td></tr> <tr><td>ANGLES</td><td>±2</td></tr> <tr><td>FINISH</td><td></td></tr> </table>		0 PLC	±-		1 PLC	±.3	2 PLC	±.25	3 PLC	±-	4 PLC	±-	ANGLES	±2	FINISH		PRODUCT SPEC -
0 PLC	±-																
1 PLC	±.3																
2 PLC	±.25																
3 PLC	±-																
4 PLC	±-																
ANGLES	±2																
FINISH																	
MATERIAL		APPLICATION SPEC -	SIZE A200779	CAGE CODE C-282847													
		WEIGHT -	DRAWING NO C-282847	RESTRICTED TO													
		CUSTOMER DRAWING	SCALE 4:1	SHEET 2 OF 2													
				REV D5													

## X-ON Electronics

Largest Supplier of Electrical and Electronic Components

*Click to view similar products for [Fixed Terminal Blocks](#) category:*

*Click to view products by [TE Connectivity](#) manufacturer:*

Other Similar products are found below :

[MBE-1512](#) [MBE-154](#) [MBE-156](#) [MBES-153](#) [MBES-156](#) [MH-2512](#) [MHE-132](#) [MHE-163](#) [MI-254 \(35\)](#) [MI-272](#) [880507](#) [MPT-275](#)  
[15602-04-08-21](#) [ELM023100](#) [BA311TU](#) [BA411SU](#) [MV-152](#) [MV-252-D](#) [MV-253/NCNOC](#) [MV-254-D](#) [MV-255](#) [MV-462](#) [MV-493](#) [MVE-](#)  
[252](#) [MVE-253](#) [MVE-273](#) [MVEB-153](#) [1700096](#) [1705142](#) [1712417](#) [1713020](#) [1713088](#) [1745195](#) [1760594](#) [1776118-2](#) [1790852](#) [1-796689-8](#)  
[1-796692-6](#) [1800001](#) [1800114](#) [1995279](#) [20020314-C121B01LF](#) [CB2-12](#) [KP03215000J0G](#) [KP04215000J0G](#) [S451](#) [282802-2](#) [29.007](#) [29.116](#)  
[30.103](#)