

THIS DRAWING IS UNPUBLISHED.

RELEASED FOR PUBLICATION

20

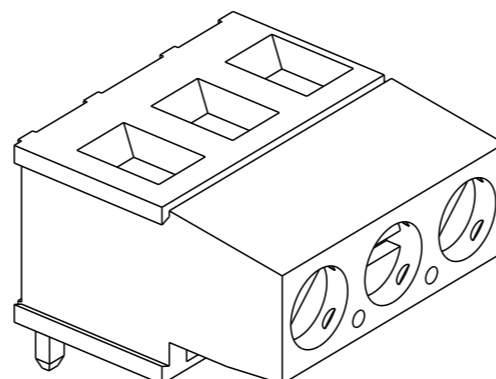
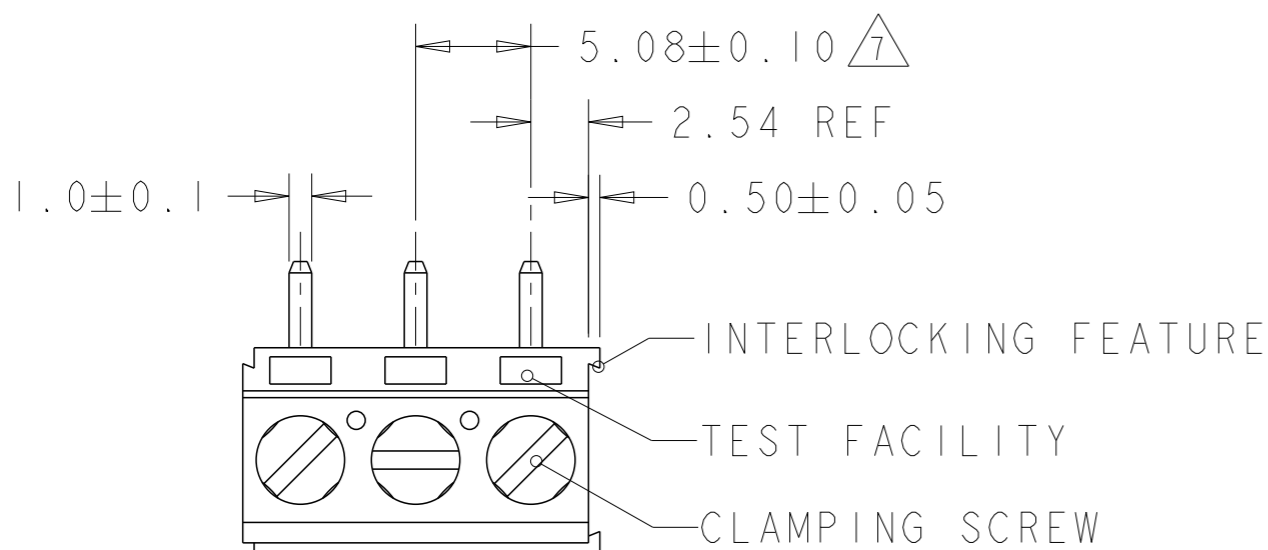
© COPYRIGHT 20

ALL RIGHTS RESERVED.

LOC FT DIST 0

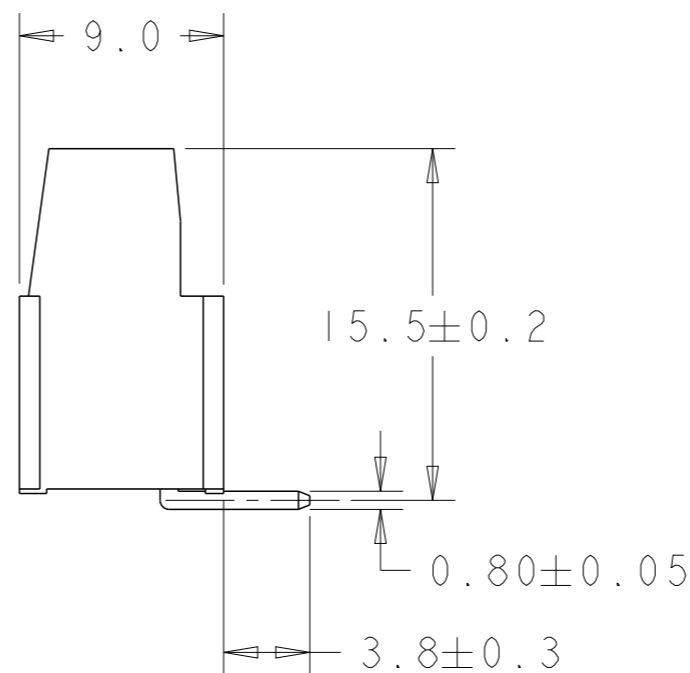
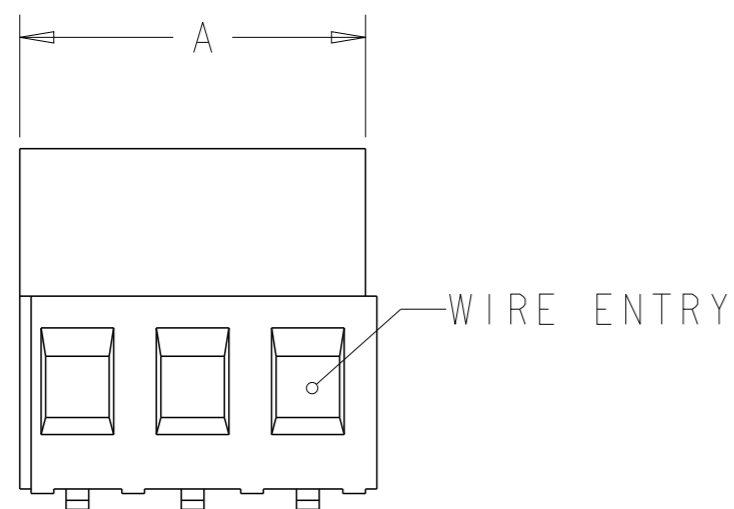
REVISIONS

P	LTR	DESCRIPTION	DATE	DWN	APVD
	C3	UL APPROVED CURRENT RATING	06APR2018	RK	PS

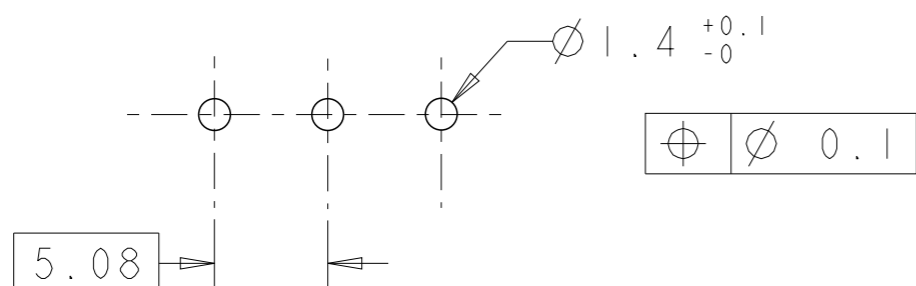


282851-3 AS SHOWN

DIM A	No OF POS	PART NUMBER
127.00	25	<del>2-282851-5</del>
121.92	24	<del>2-282851-4</del>
116.84	23	<del>2-282851-3</del>
111.76	22	<del>2-282851-2</del>
106.68	21	<del>2-282851-1</del>
101.60	20	<del>2-282851-0</del>
96.52	19	<del>1-282851-9</del>
91.44	18	<del>1-282851-8</del>
86.36	17	<del>1-282851-7</del>
81.28	16	<del>1-282851-6</del>
76.20	15	<del>1-282851-5</del>
71.12	14	<del>1-282851-4</del>
66.04	13	<del>1-282851-3</del>
60.96	12	<del>1-282851-2</del>
OBSOLETE	11	<del>1-282851-1</del>
55.88	11	<del>1-282851-1</del>
50.80	10	<del>1-282851-0</del>
OBSOLETE	9	<del>282851-9</del>
45.72	9	<del>282851-9</del>
40.64	8	<del>282851-8</del>
OBSOLETE	7	<del>282851-7</del>
35.56	7	<del>282851-7</del>
30.48	6	282851-6
25.40	5	282851-5
20.32	4	282851-4
15.24	3	282851-3
10.16	2	282851-2



RECOMMENDED PCB LAYOUT



THIS DRAWING IS A CONTROLLED DOCUMENT.

DIMENSIONS: mm

TOLERANCES UNLESS OTHERWISE SPECIFIED:

- 0 PLC ±-
- 1 PLC ±.3
- 2 PLC ±.25
- 3 PLC ±-
- 4 PLC ±-
- ANGLES ±2
- FINISH

MATERIAL



DWN 20AUG2001  
E. ZANOLINI  
CHK 20AUG2001  
D. BIEVENOUR  
APVD 20AUG2001  
D. BIEVENOUR  
PRODUCT SPEC 108-20166  
APPLICATION SPEC 114-20079  
WEIGHT -

**STE** TE Connectivity

NAME: TERMINAL BLOCK PCB MOUNT  
TOP ENTRY WIRE, STACKING  
W/INTERLOCK, 5.08mm PITCH

SIZE	CAGE CODE	DRAWING NO	RESTRICTED TO
A3	00779	C-282851	-

CUSTOMER DRAWING SCALE 3:1 SHEET 1 OF 2 REV C3

THIS DRAWING IS UNPUBLISHED.

RELEASED FOR PUBLICATION

20

© COPYRIGHT 20

ALL RIGHTS RESERVED.

LOC  
FT

DIST  
0

REVISIONS

P	LTR	DESCRIPTION	DATE	DWN	APVD
	-	SEE SHEET 1	-	-	-

NOTES:



MATERIALS AND FINISH

HOUSING: PA 6-6, UL 94-V0, COLOR GREEN.  
 CLAMP: BRASS, NICKEL PLATED.  
 TERMINAL: BRASS, TIN PLATED.  
 CLAMPING SCREW: M3, BRASS, NICKEL PLATED.

2

MECHANICAL PROPERTIES

MIN. PC BOARD HOLES DIAMETER : 1,4mm  
 MAX. PC BOARD THICKNESS : 2,4mm.  
 WIRE STRIPPING LENGTH : 5.5-6.5 mm  
 RECOMMENDED TIGHTENING TORQUE: 0,5 Nm.

3

END-TO-END STACKABLE W/INTERLOCK WITHOUT LOSS OF CENTERLINE SPACING.

4

ELECTRICAL PROPERTIES

WIRE RANGE:

- SOLID WIRE : 0,05-2,5mm<sup>2</sup> (12-30 AWG).  
 - STRANDED WIRE : 0,05-2,5mm<sup>2</sup> (12-30 AWG).  
 MAX. VOLTAGE : 300 V  
 MAX CURRENT : 17.5 A  
 CONTACT RESISTANCE : <15 m Ohm  
 INSULATION RESISTANCE : >1000 M Ohm (500V DC)

5


RECOGNIZED UNDER THE COMPONENT PROGRAM OF UNDERWRITERS LABORATORIES INC. FILE NO E60677.

6

OPERATING TEMPERATURE RANGE: -40°C TO +110°C



NOT CUMULATIVE TOLERANCE.

THIS DRAWING IS A CONTROLLED DOCUMENT.		DWN E. ZANOLINI 20AUG2001	 TE Connectivity	
DIMENSIONS: mm		CHK D. BIEVENOUR 20AUG2001		
TOLERANCES UNLESS OTHERWISE SPECIFIED:		APVD D. BIEVENOUR 20AUG2001	NAME TERMINAL BLOCK PCB MOUNT TOP ENTRY WIRE, STACKING W/INTERLOCK, 5.08mm PITCH	
0 PLC ±-		PRODUCT SPEC 108-20166	RESTRICTED TO	
1 PLC ±.3		APPLICATION SPEC 114-20079	SIZE A3	CAGE CODE 00779
2 PLC ±.25		WEIGHT -	DRAWING NO C-282851	
3 PLC ±-		CUSTOMER DRAWING	SCALE 3:1	SHEET 2 OF 2
4 PLC ±-			REV C3	
ANGLES ±2				
MATERIAL				
FINISH				

## X-ON Electronics

Largest Supplier of Electrical and Electronic Components

*Click to view similar products for [Fixed Terminal Blocks](#) category:*

*Click to view products by [TE Connectivity](#) manufacturer:*

Other Similar products are found below :

[MBE-1512](#) [MBE-154](#) [MBE-156](#) [MBES-153](#) [MBES-156](#) [MH-2512](#) [MHE-132](#) [MHE-163](#) [MI-254 \(35\)](#) [MI-272](#) [880507](#) [MPT-275](#)  
[15602-04-08-21](#) [ELM023100](#) [BA311TU](#) [BA411SU](#) [MV-152](#) [MV-252-D](#) [MV-253/NCNOC](#) [MV-254-D](#) [MV-255](#) [MV-462](#) [MV-493](#) [MVE-](#)  
[252](#) [MVE-253](#) [MVE-273](#) [MVEB-153](#) [1700096](#) [1705142](#) [1712417](#) [1713020](#) [1713088](#) [1745195](#) [1760594](#) [1776118-2](#) [1790852](#) [1-796689-8](#)  
[1-796692-6](#) [1800001](#) [1800114](#) [1995279](#) [20020314-C121B01LF](#) [CB2-12](#) [KP03215000J0G](#) [KP04215000J0G](#) [S451](#) [282802-2](#) [29.007](#) [29.116](#)  
[30.103](#)