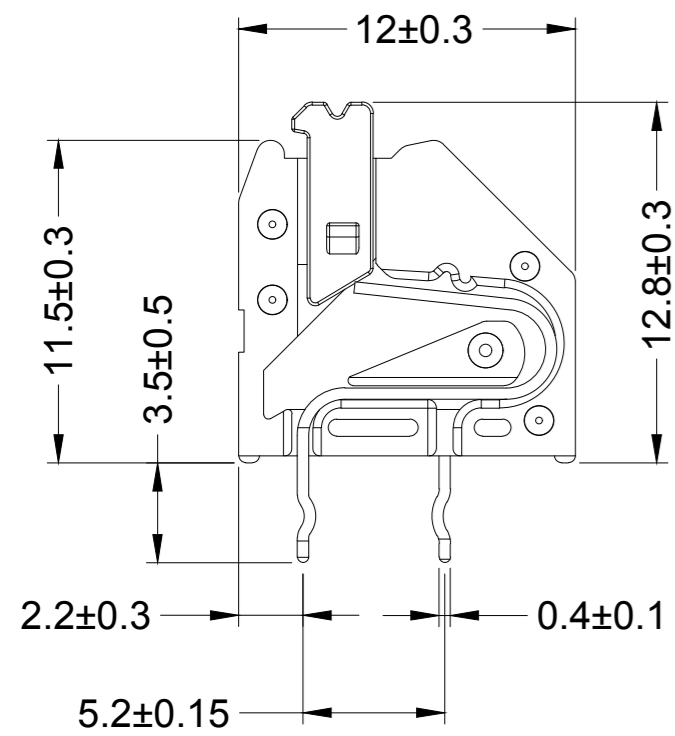
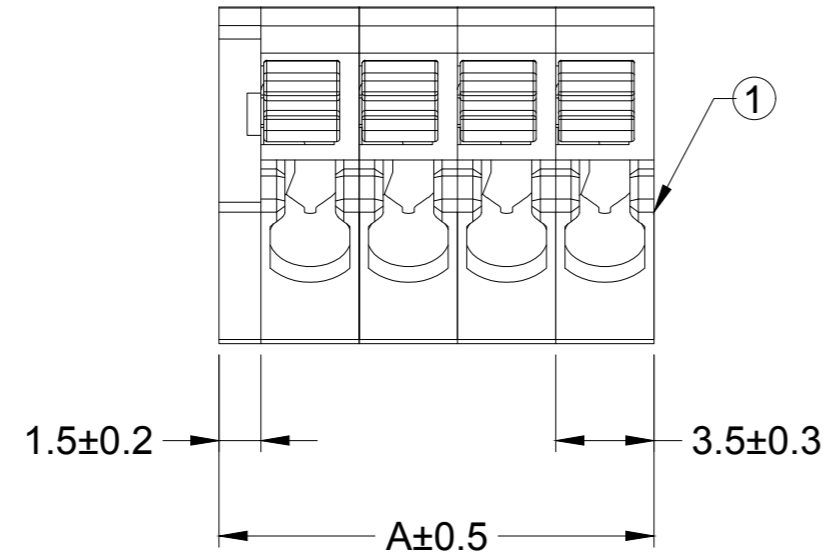
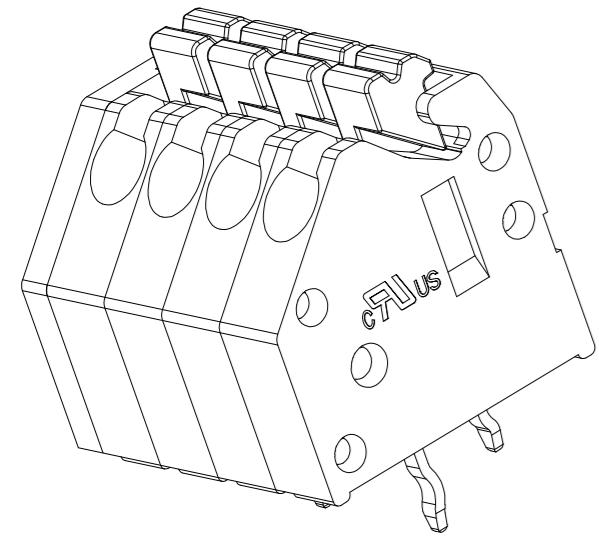
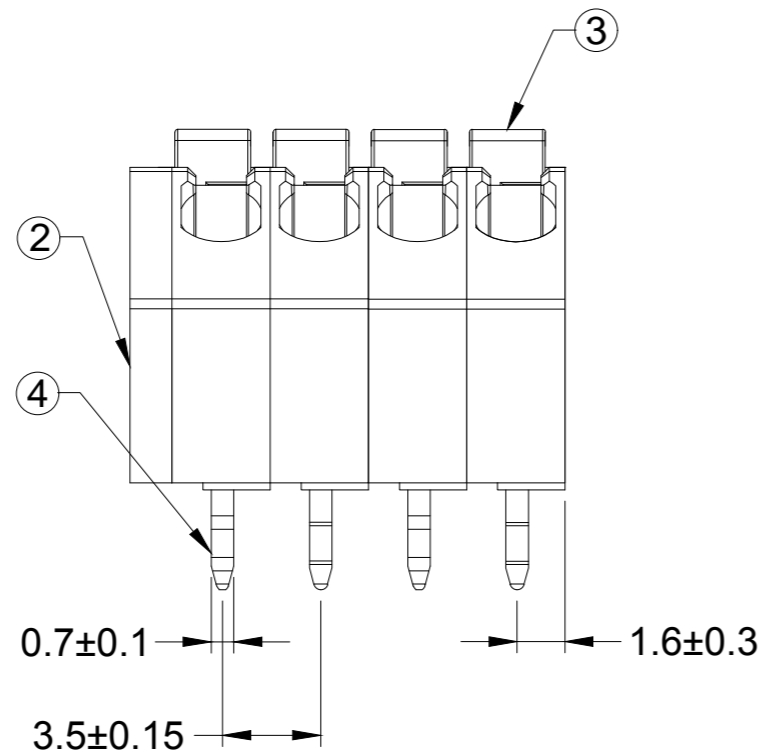


REVISIONS				
P	LTR	DESCRIPTION	DATE	APVD
B1		ADD NEW P/N ECR-19-009964	26JUN2019	G.F S.M



DETAIL INNER



NOTES :

- 1. MATERIALS AND FINISH:
 - HOUSING: PA66
 - CONTACTS: COPPER ALLOY, FINISH: TIN OVER NICKEL UNDERPLATE
- 2. MUST COMPLY WITH DIRECTIVE 2002/95/EC (ROHS)
- 3. WIRE TYPES AND SIZES ACCEPTED
 WIRE RANGE: 14AWG~20AWG(SOLID&STRANDED)
 STRIP LENGTH: 7.5mm~8.5mm
- 4. PACKAGED IN TRAY.
- 5. CURRENT RATING: 6Amp AC300V.
- 6. OPERATION TEMPERATURE: -40°C TO +105°C

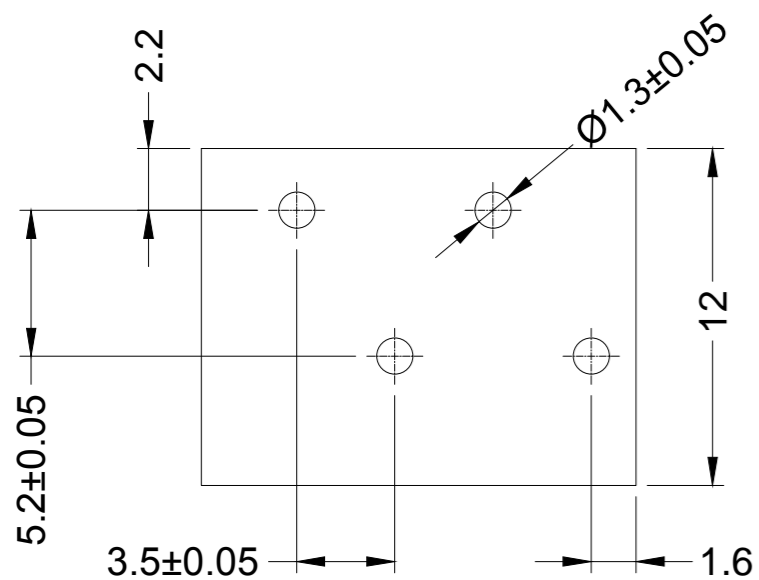
P/N: *-2834011-*

COLOR CODE:	SERIES CODE	PIN No:
1=GREEN		2=2 POSN
2=BLUE		3=3 POSN
3=BROWN		4=4 POSN
4=ORANGE		5=5 POSN
5=GREY		6=6 POSN
6=RED		7=7 POSN
7=YELLOW		8=8 POSN
8=PURPLE		9=9 POSN
9=WHITE		0=10 POSN
0=BLACK		

REMARK: THE DIFFERENT COLORS COULD BE COMBINED TO THE NEW CONNECTOR P/Ns FOR CUSTOMER REQUEST.

④	CONTACT
③	LEVER(orange)
②	COVER
①	HOUSING

36.5	10 POSN
33	9 POSN
29.5	8 POSN
26	7 POSN
22.5	6 POSN
19	5 POSN
15.5	4 POSN
12	3 POSN
8.5	2 POSN
A	NO. OF POSITIONS



RECOMMEND PCB Layout

THIS DRAWING IS A CONTROLLED DOCUMENT.		DWN	26JUN2019	TE Connectivity	
DIMENSIONS: mm		CHK	26JUN2019		
TOLERANCES UNLESS OTHERWISE SPECIFIED:		APVD	26JUN2019		
0 PLC ± 0.20 1 PLC ± 0.15 2 PLC ± 0.1 3 PLC ± - 4 PLC ± - ANGLES ± - FINISH ± -		NAME	3.5mm PITCH TOP ENTRY MODULAR SCREWLESS CONN.		
MATERIAL		PRODUCT SPEC	108-137048		
		APPLICATION SPEC	114-137048		
		WEIGHT	-		
		SIZE	CAGE CODE	DRAWING NO	RESTRICTED TO
		CUSTOMER DRAWING	A2	00779	2834011
		SCALE	SHEET	REV	
		1:1	1 of 1	B1	

X-ON Electronics

Largest Supplier of Electrical and Electronic Components

Click to view similar products for [Fixed Terminal Blocks](#) category:

Click to view products by [TE Connectivity](#) manufacturer:

Other Similar products are found below :

[MBE-1512](#) [MBE-154](#) [MBE-156](#) [MBES-153](#) [MBES-156](#) [MH-2512](#) [MHE-132](#) [MHE-163](#) [MI-254 \(35\)](#) [MI-272](#) [880507](#) [MPT-275](#)
[15602-04-08-21](#) [ELM023100](#) [BA311TU](#) [BA411SU](#) [MV-152](#) [MV-252-D](#) [MV-253/NCNOC](#) [MV-254-D](#) [MV-255](#) [MV-462](#) [MV-493](#) [MVE-](#)
[252](#) [MVE-253](#) [MVE-273](#) [MVEB-153](#) [1700096](#) [1705142](#) [1712417](#) [1713020](#) [1713088](#) [1745195](#) [1760594](#) [1776118-2](#) [1790852](#) [1-796689-8](#)
[1-796692-6](#) [1800001](#) [1800114](#) [1995279](#) [20020314-C121B01LF](#) [20020316-G041B01LF](#) [CB2-12](#) [KP03215000J0G](#) [KP04215000J0G](#) [S451](#)
[282802-2](#) [29.007](#) [29.116](#)