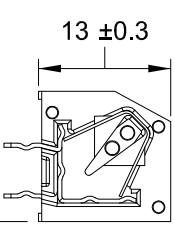
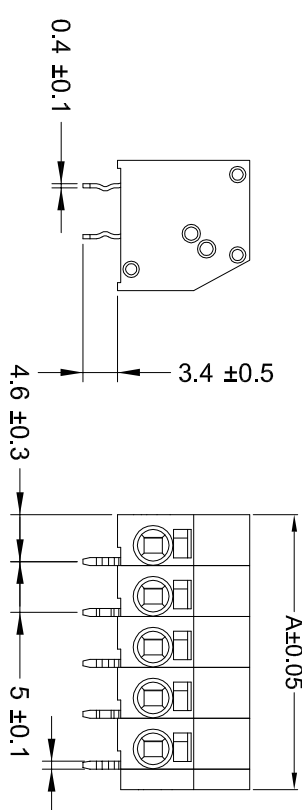
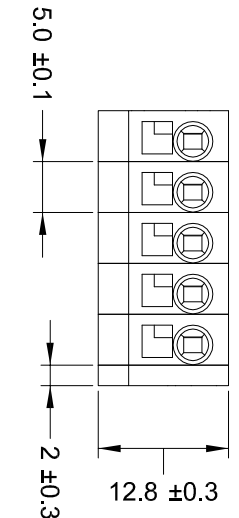


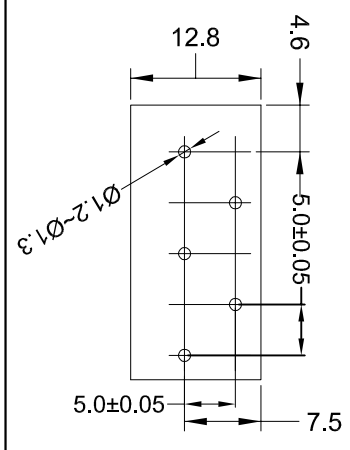
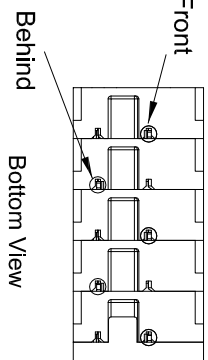
- NOTES :
- △ MATERIALS AND FINISH:
 - HOUSING: PA66
 - CONTACTS: COPPER ALLOY, FINISH: TIN OVER NICKEL UNDERPLATE
 - SPRING: STAINLESS STRIP STEEL
 - 2. MUST COMPLY WITH DIRECTIVE 2002/95/EC (ROHS)
 - 3. WIRE TYPES AND SIZES ACCEPTED
 SOLID WIRE: 16AWG~20AWG,
 STRIP LENGTH: 7.5mm~8.5mm
 - 4. PACKAGED IN TRAY.
 - 5. CURRENT RATING: 10Amp AC300V.
 - 6. OPERATION TEMPERATURE: -40°C TO +105°C



DETAIL INNER

REMARK: THE DIFFERENT COLORS COULD BE COMBINED TO THE NEW CONNECTOR P/Ns FOR CUSTOMER REQUEST.

- COLOR CODE: _____
- SERIES CODE _____
- PIN No: _____
- P/N: *-2834014-*
- 1=GREEN
 - 2=BLUE
 - 3=BROWN
 - 4=ORANGE
 - 5=GREY
 - 6=RED
 - 7=YELLOW
 - 8=PURPLE
 - 9=WHITE
 - 0=BLACK



REVISIONS				
REV	DESCRIPTION	DATE	BY	APP'D
P	LTR			
A	FIRST VERSION			

42.00	8 POSN	
37.00	7 POSN	
32.00	6 POSN	
27.00	5 POSN	
22.00	4 POSN	
17.00	3 POSN	
12.00	2 POSN	
A	NO. OF POSITIONS	

THIS DRAWING IS A CONTROLLED DOCUMENT

DESIGNER	CHK	DATE	REV
INTEGRATOR	DATE	REV	
APPROVED	DATE	REV	

APPROVED BY: SHI XIANG

DATE: 11-4-10/078

VERSION: 1

CUSTOMER DRAWING

50mm Pitch Modular Screwless Conn.

SCALE: 1:1

SHEET 1 OF 1

REV A

X-ON Electronics

Largest Supplier of Electrical and Electronic Components

Click to view similar products for [Fixed Terminal Blocks](#) category:

Click to view products by [TE Connectivity](#) manufacturer:

Other Similar products are found below :

[MBE-1512](#) [MBE-154](#) [MBE-156](#) [MBES-153](#) [MBES-156](#) [MH-2512](#) [MHE-132](#) [MHE-163](#) [MI-254 \(35\)](#) [MI-272](#) [880507](#) [MPT-275](#)
[15602-04-08-21](#) [BA311TU](#) [BA411SU](#) [MV-152](#) [MV-252-D](#) [MV-253/NCNOC](#) [MV-254-D](#) [MV-255](#) [MV-462](#) [MV-493](#) [MVE-252](#) [MVE-253](#)
[MVE-273](#) [MVEB-153](#) [1700096](#) [1705142](#) [1712417](#) [1713020](#) [1713088](#) [1745195](#) [1760594](#) [1776118-2](#) [1790852](#) [1-796689-8](#) [1-796692-6](#)
[1800001](#) [1800114](#) [1995279](#) [20020314-C121B01LF](#) [20020316-G041B01LF](#) [CB2-12](#) [KP03215000J0G](#) [KP04215000J0G](#) [S451](#) [282802-2](#)
[29.007](#) [29.116](#) [30.103](#)