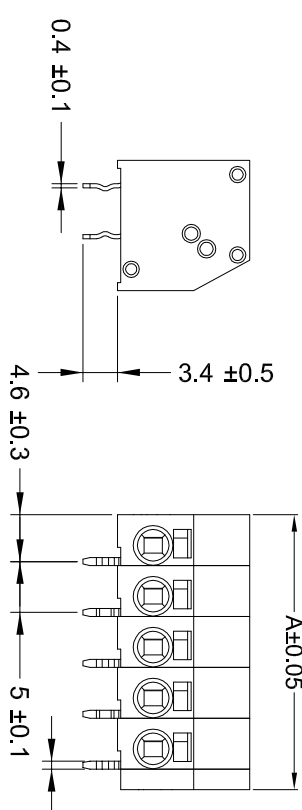
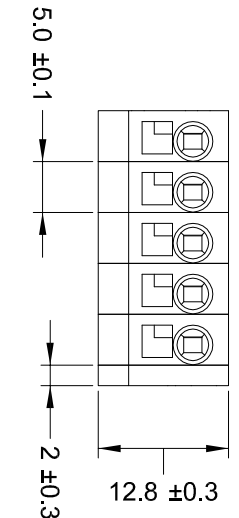
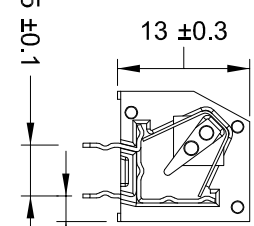


- NOTES :
- △ MATERIALS AND FINISH:
 - HOUSING: PA66
 - CONTACTS: COPPER ALLOY, FINISH: TIN OVER NICKEL UNDERPLATE
 - SPRING: STAINLESS STRIP STEEL
 - 2. MUST COMPLY WITH DIRECTIVE 2002/95/EC (ROHS)
 - 3. WIRE TYPES AND SIZES ACCEPTED
 - SOLID WIRE: 16AWG~20AWG.
 - STRIP LENGTH: 7.5mm~8.5mm
 - 4. PACKAGED IN TRAY.
 - 5. CURRENT RATING: 10Amp AC300V.
 - 6. OPERATION TEMPERATURE: -40°C TO +105°C



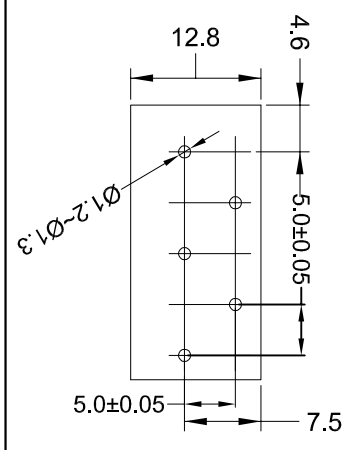
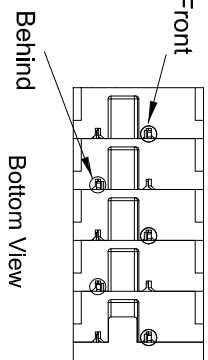
DETAIL INNER



- COLOR CODE: _____
- SERIES CODE _____
- PIN No: _____
- 1=GREEN
 - 2=BLUE
 - 3=BROWN
 - 4=ORANGE
 - 5=GREY
 - 6=RED
 - 7=YELLOW
 - 8=PURPLE
 - 9=WHITE
 - 0=BLACK

REMARK: THE DIFFERENT COLORS COULD BE COMBINED TO THE NEW CONNECTOR P/NS FOR CUSTOMER REQUEST.

42.00	8 POSN
37.00	7 POSN
32.00	6 POSN
27.00	5 POSN
22.00	4 POSN
17.00	3 POSN
12.00	2 POSN
A	NO. OF POSITIONS



THIS DRAWING IS A CONTROLLED DOCUMENT

DESIGNER	CHK	DATE	REV
INTEGRATOR	APP	DATE	REV
TESTER	APP	DATE	REV
ASSEMBLER	APP	DATE	REV

DATE: 11-4-07/08

SCALE: 1:1

SHEET: 1 OF 1

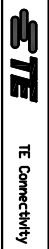
REV: A

SIZE: A2

CODE: 00779

②-2834014

RESTRICTED TO



50mm Pitch Modular Screwless Conn.

TE Connectivity

X-ON Electronics

Largest Supplier of Electrical and Electronic Components

Click to view similar products for [Fixed Terminal Blocks](#) category:

Click to view products by [TE Connectivity](#) manufacturer:

Other Similar products are found below :

[MBE-1512](#) [MBE-154](#) [MBE-156](#) [MBES-153](#) [MBES-156](#) [MH-2512](#) [MHE-132](#) [MHE-163](#) [MI-254 \(35\)](#) [MI-272](#) [880507](#) [MPT-275](#)
[15602-04-08-21](#) [ELM023100](#) [BA311TU](#) [BA411SU](#) [MV-152](#) [MV-252-D](#) [MV-253/NCNOC](#) [MV-254-D](#) [MV-255](#) [MV-462](#) [MV-493](#) [MVE-](#)
[252](#) [MVE-253](#) [MVE-273](#) [MVEB-153](#) [1700096](#) [1705142](#) [1712417](#) [1713020](#) [1713088](#) [1745195](#) [1760594](#) [1776118-2](#) [1790852](#) [1-796689-8](#)
[1-796692-6](#) [1800001](#) [1800114](#) [1995279](#) [20020314-C121B01LF](#) [CB2-12](#) [KP03215000J0G](#) [KP04215000J0G](#) [S451](#) [282802-2](#) [29.007](#) [29.116](#)
[30.103](#)