

REVISIONS				
NO.	DATE	BY	CHK	APPV
1				
2				
3				
4				

NOTES :

△ MATERIALS AND FINISH:

- HOUSING: PA66
- CONTACTS: COPPER ALLOY, FINISH: TIN OVER NICKEL UNDERPLATE
- SPRING: STAINLESS STRIP STEEL

2. MUST COMPLY WITH DIRECTIVE 2002/95/EC (ROHS)

3. WIRE TYPES AND SIZES ACCEPTED
 WIRE RANGE: 20AWG~26AWG.
 STRIP LENGTH: 9.5mm~10.5mm

4. PACKAGED IN TRAY.

5. CURRENT RATING: 6Amp AC150V.

6. OPERATION TEMPERATURE: -40°C TO +105°C

P/N: *-2834015-*

COLOR CODE:

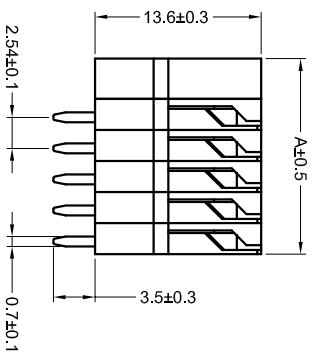
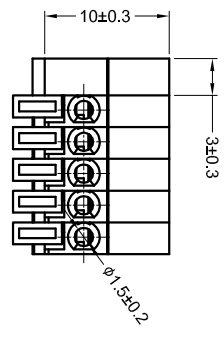
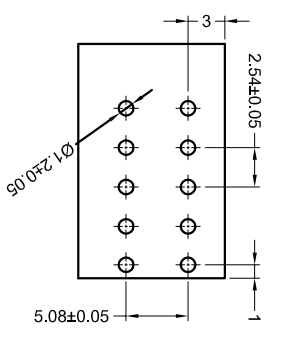
SERIES CODE

PIN No:

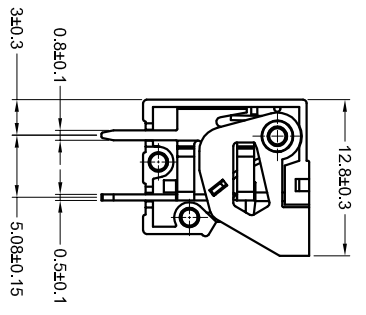
- | | |
|----------|----------|
| 1=GREEN | 2=2 POSN |
| 2=BLUE | 3=3 POSN |
| 3=BROWN | 4=4 POSN |
| 4=ORANGE | 5=5 POSN |
| 5=GREY | 6=6 POSN |
| 6=RED | 7=7 POSN |
| 7=YELLOW | 8=8 POSN |
| 8=PURPLE | 9=WHITE |
| 9=WHITE | 0=BLACK |

REMARK: THE DIFFERENT COLORS COULD BE COMBINED TO THE NEW CONNECTOR P/Ns FOR CUSTOMER REQUEST.

PCB Layout



DETAIL INNER



23.32	8 POSN	A	NO. OF POSITIONS
20.78	7 POSN		
18.24	6 POSN		
15.70	5 POSN		
13.16	4 POSN		
10.62	3 POSN		
8.08	2 POSN		

THIS DRAWING IS A CONTROLLED DOCUMENT.

DESIGNER	CHK	DATE	REV
SHI XIANG	GEORGE E. TZANZOTIS	14JAN2015	1
DATE	REV	BY	CHK
108-137079	1	SHI XIANG	GEORGE E. TZANZOTIS
114-137079	1		

2.54mm Pitch Modular Screwless Conn.

SCALE: 1:1

SIZE: A2

00779

2834015

TE Connectivity

X-ON Electronics

Largest Supplier of Electrical and Electronic Components

Click to view similar products for [Fixed Terminal Blocks](#) category:

Click to view products by [TE Connectivity](#) manufacturer:

Other Similar products are found below :

[MBE-1512](#) [MBE-154](#) [MBE-156](#) [MBES-153](#) [MBES-156](#) [MH-2512](#) [MHE-132](#) [MHE-163](#) [MI-254 \(35\)](#) [MI-272](#) [880507](#) [MPT-275](#)
[15602-04-08-21](#) [ELM023100](#) [BA311TU](#) [BA411SU](#) [MV-152](#) [MV-252-D](#) [MV-253/NCNOC](#) [MV-254-D](#) [MV-255](#) [MV-462](#) [MV-493](#) [MVE-](#)
[252](#) [MVE-253](#) [MVE-273](#) [MVEB-153](#) [1700096](#) [1705142](#) [1712417](#) [1713020](#) [1713088](#) [1745195](#) [1760594](#) [1776118-2](#) [1790852](#) [1-796689-8](#)
[1-796692-6](#) [1800001](#) [1800114](#) [1995279](#) [20020314-C121B01LF](#) [CB2-12](#) [KP03215000J0G](#) [KP04215000J0G](#) [S451](#) [282802-2](#) [29.007](#) [29.116](#)
[30.103](#)