

REVISIONS				
NO.	DATE	BY	APPV	DESCRIPTION
1				FIRST VERSION

NOTES :

- △ MATERIALS AND FINISH:
- HOUSING: PA66
 - CONTACTS: COPPER ALLOY, FINISH: TIN OVER NICKEL UNDERPLATE
 - SPRING: STAINLESS STRIP STEEL

2. MUST COMPLY WITH DIRECTIVE 2002/95/EC (ROHS)

3. WIRE TYPES AND SIZES ACCEPTED
 WIRE RANGE: 20AWG~26AWG.
 STRIP LENGTH: 9.5mm~10.5mm

4. PACKAGED IN TRAY.

5. CURRENT RATING: 6Amp AC150V.

6. OPERATION TEMPERATURE: -40°C TO +105°C

P/N: *-2834015-*

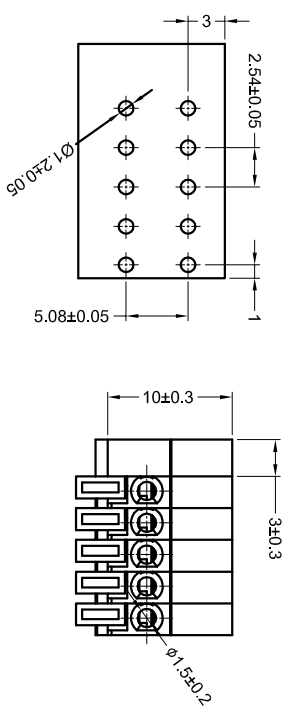
COLOR CODE: _____ PIN No: _____

SERIES CODE

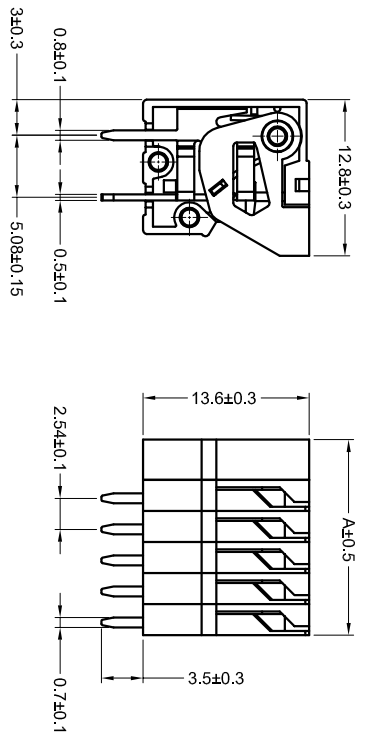
- | | |
|----------|----------|
| 1=GREEN | 2=2 POSN |
| 2=BLUE | 3=3 POSN |
| 3=BROWN | 4=4 POSN |
| 4=ORANGE | 5=5 POSN |
| 5=GREY | 6=6 POSN |
| 6=RED | 7=7 POSN |
| 7=YELLOW | 8=8 POSN |
| 8=PURPLE | 9=WHITE |
| 9=WHITE | 0=BLACK |

REMARK: THE DIFFERENT COLORS COULD BE COMBINED TO THE NEW CONNECTOR P/NS FOR CUSTOMER REQUEST.

PCB Layout



DETAIL INNER



23.32	8 POSN	NO. OF POSITIONS
20.78	7 POSN	
18.24	6 POSN	
15.70	5 POSN	
13.16	4 POSN	
10.62	3 POSN	A
8.08	2 POSN	

THIS DRAWING IS A CONTROLLED DOCUMENT.

DATE: 11/4-13/07/9
 VERSION: -

CUSTOMER DRAWING

SHI XIANG 14JANZ015

TE Connectivity

2.54mm Pitch Modular Screwless Conn.

SIZE: A2 | CODE: 00779 | 2834015

SCALE: 1:1 | SHEET: 1 OF 1 | REV: A

X-ON Electronics

Largest Supplier of Electrical and Electronic Components

Click to view similar products for [Fixed Terminal Blocks](#) category:

Click to view products by [TE Connectivity](#) manufacturer:

Other Similar products are found below :

[MBE-1512](#) [MBE-154](#) [MBE-156](#) [MBES-153](#) [MBES-156](#) [MH-2512](#) [MHE-132](#) [MHE-163](#) [MI-254 \(35\)](#) [MI-272](#) [880507](#) [MPT-275](#)
[15602-04-08-21](#) [ELM023100](#) [BA311TU](#) [BA411SU](#) [MV-152](#) [MV-252-D](#) [MV-253/NCNOC](#) [MV-254-D](#) [MV-255](#) [MV-462](#) [MV-493](#) [MVE-](#)
[252](#) [MVE-253](#) [MVE-273](#) [MVEB-153](#) [1700096](#) [1705142](#) [1712417](#) [1713020](#) [1713088](#) [1745195](#) [1760594](#) [1776118-2](#) [1790852](#) [1-796689-8](#)
[1-796692-6](#) [1800001](#) [1800114](#) [1995279](#) [20020314-C121B01LF](#) [CB2-12](#) [KP03215000J0G](#) [KP04215000J0G](#) [S451](#) [282802-2](#) [29.007](#) [29.116](#)
[30.103](#)