

REVISIONS				
NO.	DATE	BY	APP'D	DESCRIPTION
1	13JAN2015	GF	SM	FIRST VERSION

NOTES :

- △ MATERIALS AND FINISH:
  - HOUSING: PA66
  - CONTACTS: COPPER ALLOY, FINISH: TIN OVER NICKEL UNDERPLATE
  - SPRING: STAINLESS STRIP STEEL

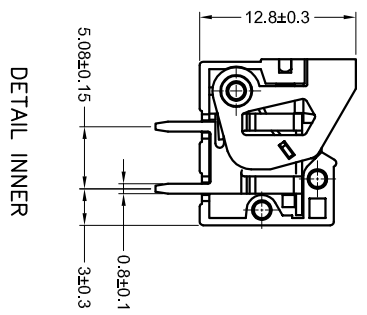
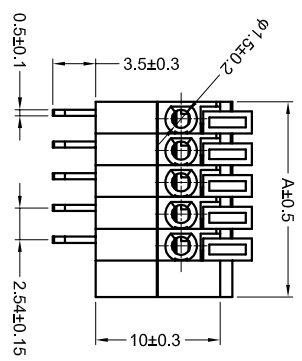
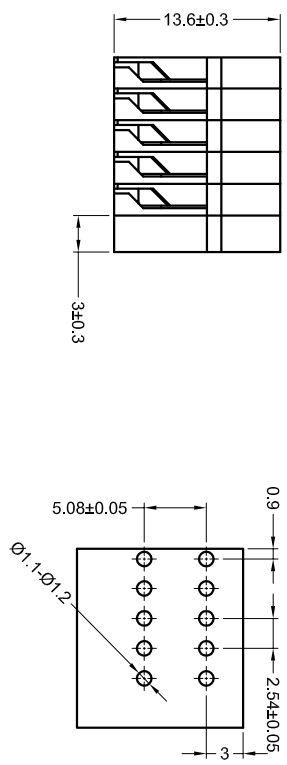
2. MUST COMPLY WITH DIRECTIVE 2002/95/EC (ROHS)

3. WIRE TYPES AND SIZES ACCEPTED  
 WIRE RANGE: 20AWG~26AWG.  
 STRIP LENGTH: 9.5mm~10.5mm

4. PACKAGED IN TRAY.

5. CURRENT RATING: 6Amp AC150V.

6. OPERATION TEMPERATURE: -40°C TO +105°C



COLOR CODE: \_\_\_\_\_ PIN No: \_\_\_\_\_

P/N: \*-2834016-\*

SERIES CODE	POSN
1=GREEN	2=2 POSN
2=BLUE	3=3 POSN
3=BROWN	4=4 POSN
4=ORANGE	5=5 POSN
5=GREY	6=6 POSN
6=RED	7=7 POSN
7=YELLOW	8=8 POSN
8=PURPLE	
9=WHITE	
0=BLACK	

REMARK: THE DIFFERENT COLORS COULD BE COMBINED TO THE NEW CONNECTOR P/NS FOR CUSTOMER REQUEST.

23.32	8 POSN
20.78	7 POSN
18.24	6 POSN
15.70	5 POSN
13.16	4 POSN
10.62	3 POSN
8.08	2 POSN
A	NO. OF POSITIONS

THIS DRAWING IS A CONTROLLED DOCUMENT

DESIGNER	CHKD	DATE	REV
SHI MING	13JAN2015		
PRODUCT NAME	PRODUCT CODE	VERSION	
2.54mm Pitch Modular Screwless Conn.	108-137080	114-137080	

SCALE: 1:1

SIZE: A2

DATE: 00779

REV: A

TE Connectivity

## X-ON Electronics

Largest Supplier of Electrical and Electronic Components

*Click to view similar products for [Fixed Terminal Blocks](#) category:*

*Click to view products by [TE Connectivity](#) manufacturer:*

Other Similar products are found below :

[MBE-1512](#) [MBE-154](#) [MBE-156](#) [MBES-153](#) [MBES-156](#) [MH-2512](#) [MHE-132](#) [MHE-163](#) [MI-254 \(35\)](#) [MI-272](#) [880507](#) [MPT-275](#)  
[15602-04-08-21](#) [ELM023100](#) [BA311TU](#) [BA411SU](#) [MV-152](#) [MV-252-D](#) [MV-253/NCNOC](#) [MV-254-D](#) [MV-255](#) [MV-462](#) [MV-493](#) [MVE-](#)  
[252](#) [MVE-253](#) [MVE-273](#) [MVEB-153](#) [1700096](#) [1705142](#) [1712417](#) [1713020](#) [1713088](#) [1745195](#) [1760594](#) [1776118-2](#) [1790852](#) [1-796689-8](#)  
[1-796692-6](#) [1800001](#) [1800114](#) [1995279](#) [20020314-C121B01LF](#) [CB2-12](#) [KP03215000J0G](#) [KP04215000J0G](#) [S451](#) [282802-2](#) [29.007](#) [29.116](#)  
[30.103](#)