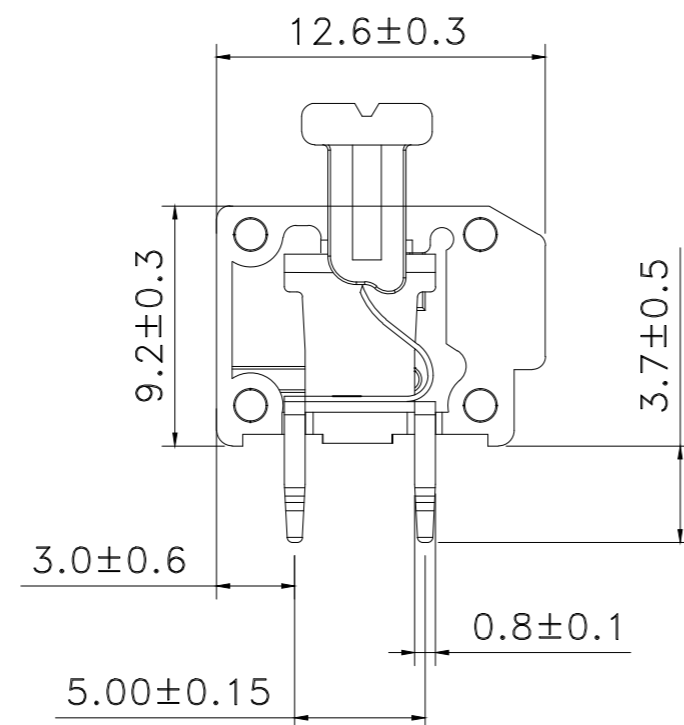
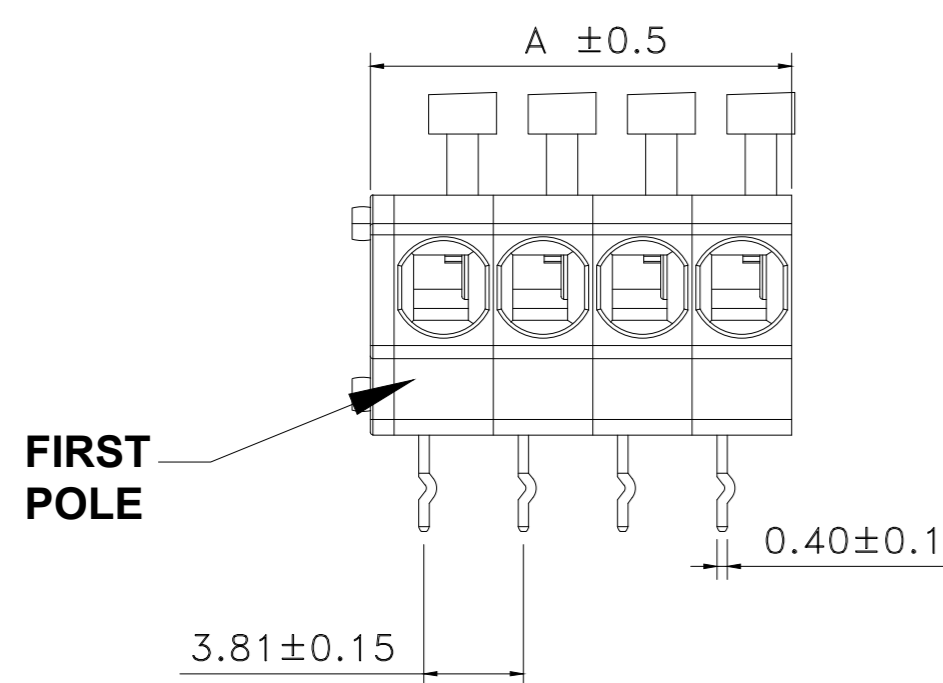
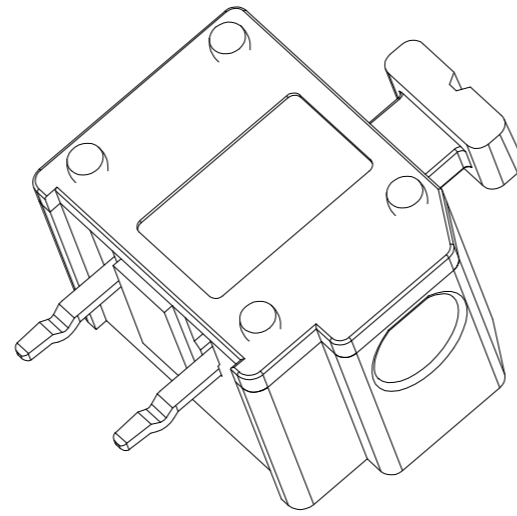
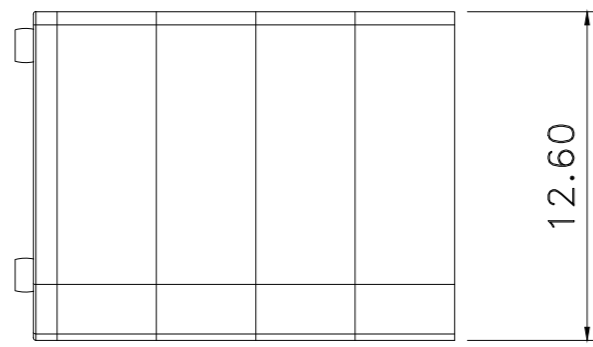


THIS DRAWING IS UNPUBLISHED. RELEASED FOR PUBLICATION
 © COPYRIGHT - TE Connectivity Ltd. ALL RIGHTS RESERVED.

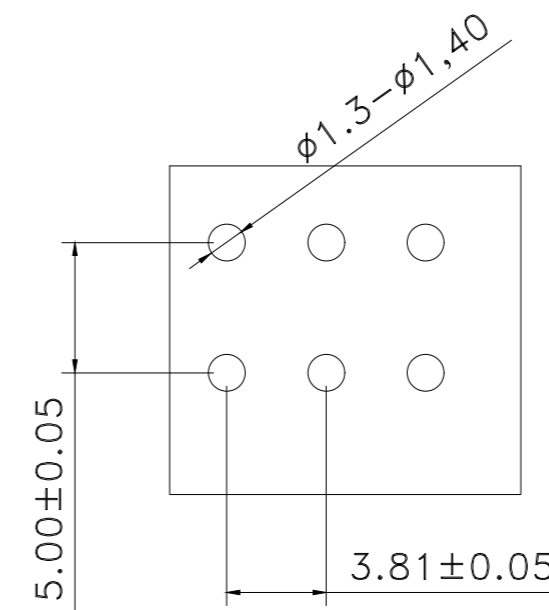
REVISIONS				
P	LTR	DESCRIPTION	DATE	APVD
A1		ADD NEW P/N	23AUG2019	G.F S.M

NOTES :

- ⚠ MATERIALS AND FINISH:
 - HOUSING: PA66
 - CONTACTS: COPPER ALLOY, FINISH: TIN OVER NICKEL UNDERPLATE
 - SPRING: STAINLESS STRIP STEEL
- 2. MUST COMPLY WITH DIRECTIVE 2002/95/EC (ROHS)
- 3. WIRE TYPES AND SIZES ACCEPTED
 WIRE RANGE: 16AWG~20AWG.
 STRIP LENGTH: 9.0mm~10mm
- 4. PACKAGED IN TRAY.
- 5. CURRENT RATING: 8Amp AC300V.
- 6. OPERATION TEMPERATURE: -40°C TO +105°C



DETAIL INNER



RECOMMEND PCB Layout 1

2834017-1	4	RED/GRAY/BLACK/VIOLET
5-2834017-8	8	ALL GRAY
5-2834017-7	7	ALL GRAY
5-2834017-6	6	ALL GRAY
5-2834017-5	5	ALL GRAY
5-2834017-4	4	ALL GRAY
5-2834017-3	3	ALL GRAY
5-2834017-2	2	ALL GRAY
1-2834017-8	8	ALL GREEN
1-2834017-7	7	ALL GREEN
1-2834017-6	6	ALL GREEN
1-2834017-5	5	ALL GREEN
1-2834017-4	4	ALL GREEN
1-2834017-3	3	ALL GREEN
1-2834017-2	2	ALL GREEN
P/N	POLES	COLOR ARRANGEMENT

31.38	8 POSN
27.57	7 POSN
23.76	6 POSN
19.95	5 POSN
16.14	4 POSN
12.33	3 POSN
8.52	2 POSN
A	NO. OF POSITIONS

THIS DRAWING IS A CONTROLLED DOCUMENT.		DWN	22AUG2016	TE Connectivity	
DIMENSIONS: mm		CHK	22AUG2016		
TOLERANCES UNLESS OTHERWISE SPECIFIED:		APVD	22AUG2016		
0 PLC ± 0.20 1 PLC ± 0.15 2 PLC ± 0.1 3 PLC ± - 4 PLC ± - ANGLES ± 3		NAME	3.81mm PITCH MODULAR SCREWLESS CONN.		
MATERIAL		PRODUCT SPEC		SIZE	
NOTE 1		FINISH		CAGE CODE	
		NOTE 1		DRAWING NO	
				RESTRICTED TO	
		CUSTOMER DRAWING		SCALE 1:1 SHEET 1 of 1 REV A1	

X-ON Electronics

Largest Supplier of Electrical and Electronic Components

Click to view similar products for [Fixed Terminal Blocks](#) category:

Click to view products by [TE Connectivity](#) manufacturer:

Other Similar products are found below :

[MBE-1512](#) [MBE-154](#) [MBE-156](#) [MBES-153](#) [MBES-156](#) [MH-2512](#) [MHE-132](#) [MHE-163](#) [MI-254 \(35\)](#) [MI-272](#) [880507](#) [MPT-275](#)
[15602-04-08-21](#) [BA311TU](#) [BA411SU](#) [MV-152](#) [MV-252-D](#) [MV-253/NCNOC](#) [MV-254-D](#) [MV-255](#) [MV-462](#) [MV-493](#) [MVE-252](#) [MVE-253](#)
[MVE-273](#) [MVEB-153](#) [1700096](#) [1705142](#) [1712417](#) [1713020](#) [1713088](#) [1745195](#) [1760594](#) [1776118-2](#) [1790852](#) [1-796689-8](#) [1-796692-6](#)
[1800001](#) [1800114](#) [1995279](#) [20020314-C121B01LF](#) [CB2-12](#) [KP03215000J0G](#) [KP04215000J0G](#) [S451](#) [282802-2](#) [29.007](#) [29.116](#) [30.103](#)
[30.106](#)