

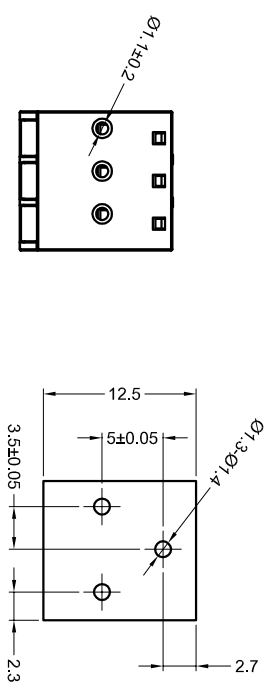
REV ISIONS		DATE	BY	APP'D
NO.	DESCRIPTION			
P	LTR			
A	FIRST VERSION			

NOTES :

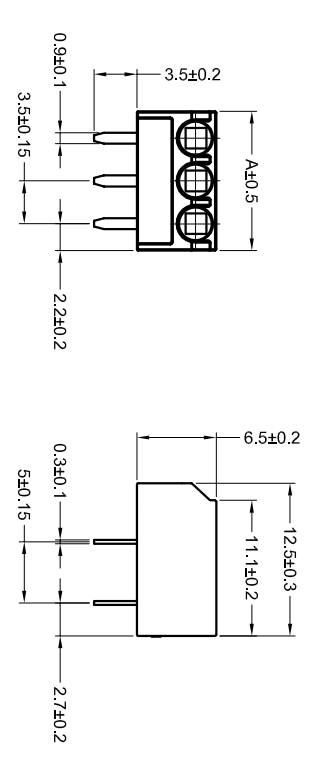
- △ MATERIALS AND FINISH:
 - HOUSING: PA66
 - CONTACTS: COPPER ALLOY, FINISH: TIN OVER NICKEL UNDERPLATE

2. MUST COMPLY WITH DIRECTIVE 2002/95/EC (ROHS)
3. WIRE TYPES AND SIZES ACCEPTED
 WIRE RANGE: 16AWG~20AWG.
 STRIP LENGTH: 7.5mm~8.5mm
4. PACKAGED IN TRAY.
5. CURRENT RATING: 6Amp AC300V.
6. OPERATION TEMPERATURE: -40°C TO +105°C

P/N: *-2834019-*



PCB Layout



COLOR CODE:

- | | |
|----------|----------|
| 1=GREEN | 2=2 POSN |
| 2=BLUE | 3=3 POSN |
| 3=BROWN | 4=4 POSN |
| 4=ORANGE | 5=5 POSN |
| 5=GREY | 6=6 POSN |
| 6=RED | 7=7 POSN |
| 7=YELLOW | 8=8 POSN |
| 8=PURPLE | |
| 9=WHITE | |
| 0=BLACK | |

REMARK: THE DIFFERENT COLORS COULD BE COMBINED TO THE NEW CONNECTOR P/Ns FOR CUSTOMER REQUEST.

28.90	8 POSN	NO. OF POSITIONS
25.40	7 POSN	
21.90	6 POSN	
18.40	5 POSN	
14.90	4 POSN	
11.40	3 POSN	
7.90	2 POSN	
A		

THIS DRAWING IS A CONTROLLED DOCUMENT.

DESIGNER	CHK	DATE
SHI, MING	SHI, MING	14JAN2015
DRWING NO.	REV	
109-137093	1	
APP. DATE	APP. DATE	
11-4-13/093		
VERSION		

3.50mm Pitch Modular Screwless Conn.

SCALE: 1:1

SIZE: A2

CODE: 00779

REV: A

DATE: 14JAN2015

BY: SHI, MING

CHK: SHI, MING

DATE: 14JAN2015

APP. DATE: 11-4-13/093

APP. DATE: 11-4-13/093

VERSION: 1

CUSTOMER DRAWING

STE TE Connectivity

X-ON Electronics

Largest Supplier of Electrical and Electronic Components

Click to view similar products for [Fixed Terminal Blocks](#) category:

Click to view products by [TE Connectivity](#) manufacturer:

Other Similar products are found below :

[MBE-1512](#) [MBE-154](#) [MBE-156](#) [MBES-153](#) [MBES-156](#) [MH-2512](#) [MHE-132](#) [MHE-163](#) [MI-254 \(35\)](#) [MI-272](#) [880507](#) [MPT-275](#)
[15602-04-08-21](#) [BA311TU](#) [BA411SU](#) [MV-152](#) [MV-252-D](#) [MV-253/NCNOC](#) [MV-254-D](#) [MV-255](#) [MV-462](#) [MV-493](#) [MVE-252](#) [MVE-253](#)
[MVE-273](#) [MVEB-153](#) [1700096](#) [1705142](#) [1712417](#) [1713020](#) [1713088](#) [1745195](#) [1760594](#) [1776118-2](#) [1790852](#) [1-796689-8](#) [1-796692-6](#)
[1800001](#) [1800114](#) [1995279](#) [20020314-C121B01LF](#) [20020316-G041B01LF](#) [CB2-12](#) [KP03215000J0G](#) [KP04215000J0G](#) [S451](#) [282802-2](#)
[29.007](#) [29.116](#) [30.103](#)