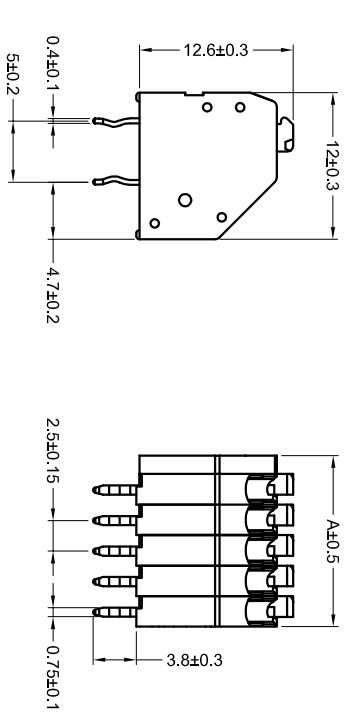
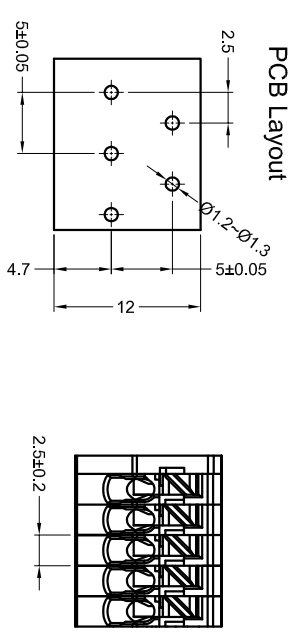


REVISONS		DATE	BY	APP'D
A	FIRST VERSION	17/02/04	GF	SM
B	ADD NEW PART No.	27/04/05	GF	SM

NOTES :

- △ MATERIALS AND FINISH:
  - HOUSING: PA66
  - CONTACTS: COPPER ALLOY, FINISH: TIN OVER NICKEL UNDERPLATE
- 2. MUST COMPLY WITH DIRECTIVE 2002/95/EC (ROHS)
- 3. WIRE TYPES AND SIZES ACCEPTED  
 WIRE RANGE: 20AWG~26AWG(SOLID&STRANDED)  
 STRIP LENGTH: 7.5mm~8.5mm
- 4. PACKAGED IN TRAY.
- 5. CURRENT RATING: 5Amp AC300V.
- 6. OPERATION TEMPERATURE: -40°C TO +105°C



P/N: \*-2834021-\*

COLOR CODE: \_\_\_\_\_

SERIES CODE \_\_\_\_\_

PIN No: \_\_\_\_\_

- 1=GREEN
- 2=BLUE
- 3=BROWN
- 4=ORANGE
- 5=GREY
- 6=RED
- 7=YELLOW
- 8=PURPLE
- 9=WHITE
- 0=BLACK

REMARK: THE DIFFERENT COLORS COULD BE COMBINED TO THE NEW CONNECTOR P/NS FOR CUSTOMER REQUEST.

21.50	8 POSN	
19.00	7 POSN	
16.50	6 POSN	
14.00	5 POSN	
11.50	4 POSN	
9.00	3 POSN	
6.50	2 POSN	
A	NO. OF POSITIONS	

THIS DRAWING IS A CONTROLLED DOCUMENT.

DESIGNER	CHK'D	DATE
SHI MING	SHI MING	27/04/05

2.50mm Pitch Modular Screwless Conn.

SIZE 1 CODE 00779

SCALE 1:1

SHEET 1 OF 1

REV B

## X-ON Electronics

Largest Supplier of Electrical and Electronic Components

*Click to view similar products for [Fixed Terminal Blocks](#) category:*

*Click to view products by [TE Connectivity](#) manufacturer:*

Other Similar products are found below :

[MBE-1512](#) [MBE-154](#) [MBE-156](#) [MBES-153](#) [MBES-156](#) [MH-2512](#) [MHE-132](#) [MHE-163](#) [MI-254 \(35\)](#) [MI-272](#) [880507](#) [MPT-275](#)  
[15602-04-08-21](#) [ELM023100](#) [BA311TU](#) [BA411SU](#) [MV-152](#) [MV-252-D](#) [MV-253/NCNOC](#) [MV-254-D](#) [MV-255](#) [MV-462](#) [MV-493](#) [MVE-](#)  
[252](#) [MVE-253](#) [MVE-273](#) [MVEB-153](#) [1700096](#) [1705142](#) [1712417](#) [1713020](#) [1713088](#) [1745195](#) [1760594](#) [1776118-2](#) [1790852](#) [1-796689-8](#)  
[1-796692-6](#) [1800001](#) [1800114](#) [1995279](#) [20020314-C121B01LF](#) [20020316-G041B01LF](#) [CB2-12](#) [KP03215000J0G](#) [KP04215000J0G](#) [S451](#)  
[282802-2](#) [29.007](#) [29.116](#)