

THIS DRAWING IS UNPUBLISHED.

RELEASED FOR PUBLICATION

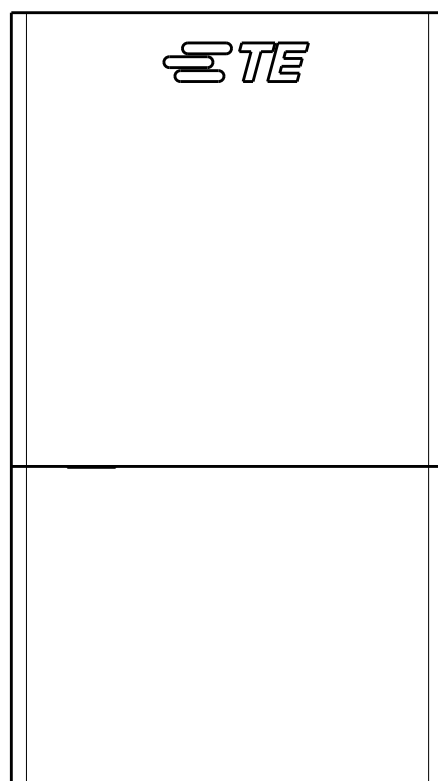
20

© COPYRIGHT 20 BY -

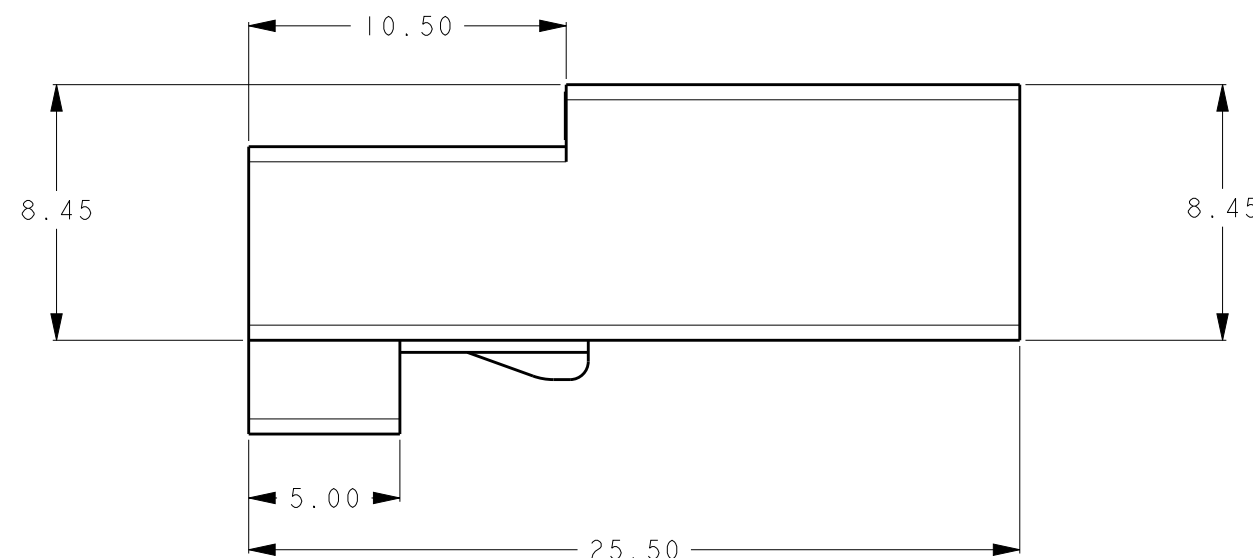
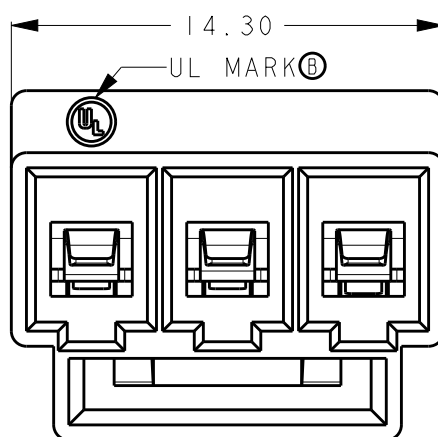
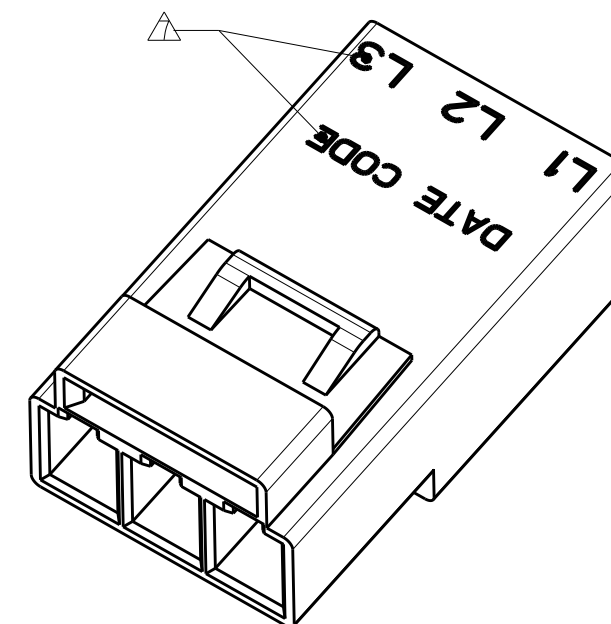
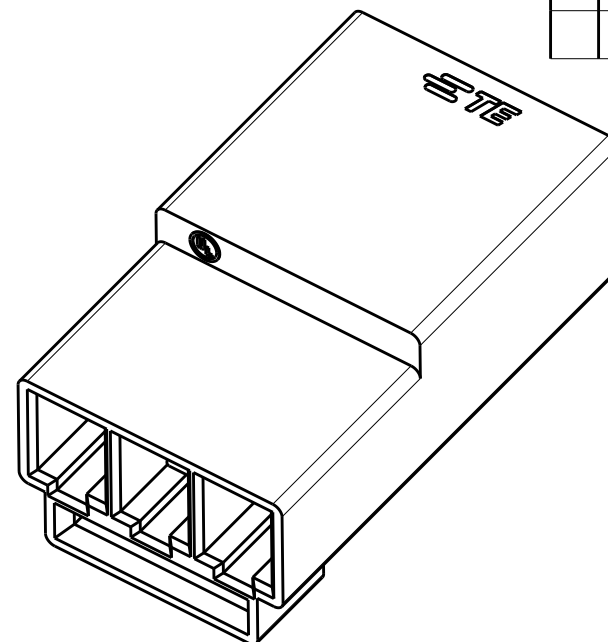
ALL RIGHTS RESERVED.

REVISIONS

P	LTR	DESCRIPTION	DATE	DWN	APVD
	A	INITIAL RELEASE	11 JULY 2016	W.Z	X.X
	B	ADD UL MARK	16 JUL 2018	W.Z	S.M




DATE CODE
 YY WW X
 ↑ ↑ ↑
 YY=YEAR
 EX: 15=2015
 WW=WEEK
 EX: 12=12
 X=DAY
 EX: 5=5



NOTE:

- PART NUMBER: SEE TABLE.
 - MATERIAL:
 TERMINAL: COPPER ALLOY
 HOUSING: THERMOPLASTIC, UL94-V0.
 - FINISH
 TERMINAL: TIN PLATING OVERALL.
 - PACKAGING: PLASTIC BAG.
 - APPLICABLE WIRE:
 SOLID: 18-22AWG
 STRANDED WIRE: 16-20AWG(26 STRANDS MAX. FOR 16AWG
 16 STRANDS MAX. FOR 18AWG, 7 STRANDS MAX. FOR 20AWG)
- △ MARK APPROXIMATION LOCATION.

2834055-4	2834054-4	RED
2834055-3	2834054-3	ORANGE
2834055-2	2834054-2	BLACK
2834055-1	2834054-1	NATURAL
PART NUMBER	MATING PART	PART COLOR

THIS DRAWING IS A CONTROLLED DOCUMENT.		DWN 18DEC2015 ZHANG WEI	 TE Connectivity	
DIMENSIONS: mm		CHK 18DEC2015 SHI MING		
TOLERANCES UNLESS OTHERWISE SPECIFIED: ±0.50		APVD 18DEC2015 XU XIANG	NAME 3 PIN WIRE TO WIRE CONNECTOR REC ASSEMBLY	
0-PLC ± 1-PLC ± 2-PLC ± 3-PLC ± 4-PLC ± ANGLES ±1°		PRODUCT SPEC 108-137160	SIZE CAGE CODE DRAWING NO RESTRICTED TO	
MATERIAL		APPLICATION SPEC 114-137160	A300779 C-2834055	
FINISH		WEIGHT 2.32g	SCALE 2:1 SHEET 1 OF 4 REV B	
		CUSTOMER DRAWING		

4

3

2

1

THIS DRAWING IS UNPUBLISHED.

RELEASED FOR PUBLICATION

20

REVISIONS

© COPYRIGHT 20 BY - ALL RIGHTS RESERVED.

P	LTR	DESCRIPTION	DATE	DWN	APVD
		SEE SHEET 1			

DATE CODE
YY WW X
↑ ↑ ↑
YY=YEAR
EX: 15=2015
WW=WEEK
EX: 12=12
X=DAY
EX: 5=5

1-2834055-4	RED
1-2834055-3	ORANGE
1-2834055-2	BLACK
1-2834055-1	NATURAL
PART NUMBER	PART COLOR

NOTE:

- PART NUMBER: SEE TABLE.
- MATERIAL:
TERMINAL: COPPER ALLOY
HOUSING: THERMOPLASTIC, UL94-V0.
- FINISH
TERMINAL: TIN PLATING OVERALL.
- PACKAGING: PLASTIC BAG.
- APPLICABLE WIRE:
SOLID: 18-22AWG
STRANDED WIRE: 16-20AWG(26 STRANDS MAX. FOR 16AWG
16 STRANDS MAX. FOR 18AWG, 7 STRANDS MAX. FOR 20AWG)

△ MARK APPROXIMATION LOCATION.

THIS DRAWING IS A CONTROLLED DOCUMENT.		DWN	18DEC2015	TE Connectivity NAME 3 PIN WIRE TO WIRE CONNECTOR REC ASSEMBLY	
DIMENSIONS:		CHK	18DEC2015		
mm		APVD	18DEC2015		
		PRODUCT SPEC	108-137160		
TOLERANCES UNLESS OTHERWISE SPECIFIED:		APPLICATION SPEC	114-137160	SIZE	CAGE CODE
±0.50		WEIGHT	2.38g	DRAWING NO	RESTRICTED TO
0-PLC	±	CUSTOMER DRAWING		A300779	©=2834055
1-PLC	±	SCALE	4:1	SHEET	2 OF 4
2-PLC	±	REV	B		
3-PLC	±				
4-PLC	±				
ANGLES	±1°				
MATERIAL	FINISH				
-	-				
-	-				

1470-19 (3/13)

THIS DRAWING IS UNPUBLISHED.

RELEASED FOR PUBLICATION

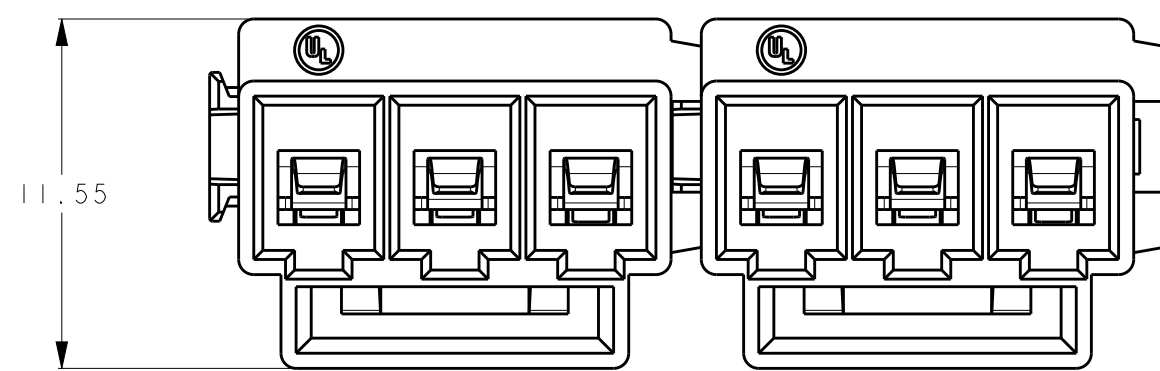
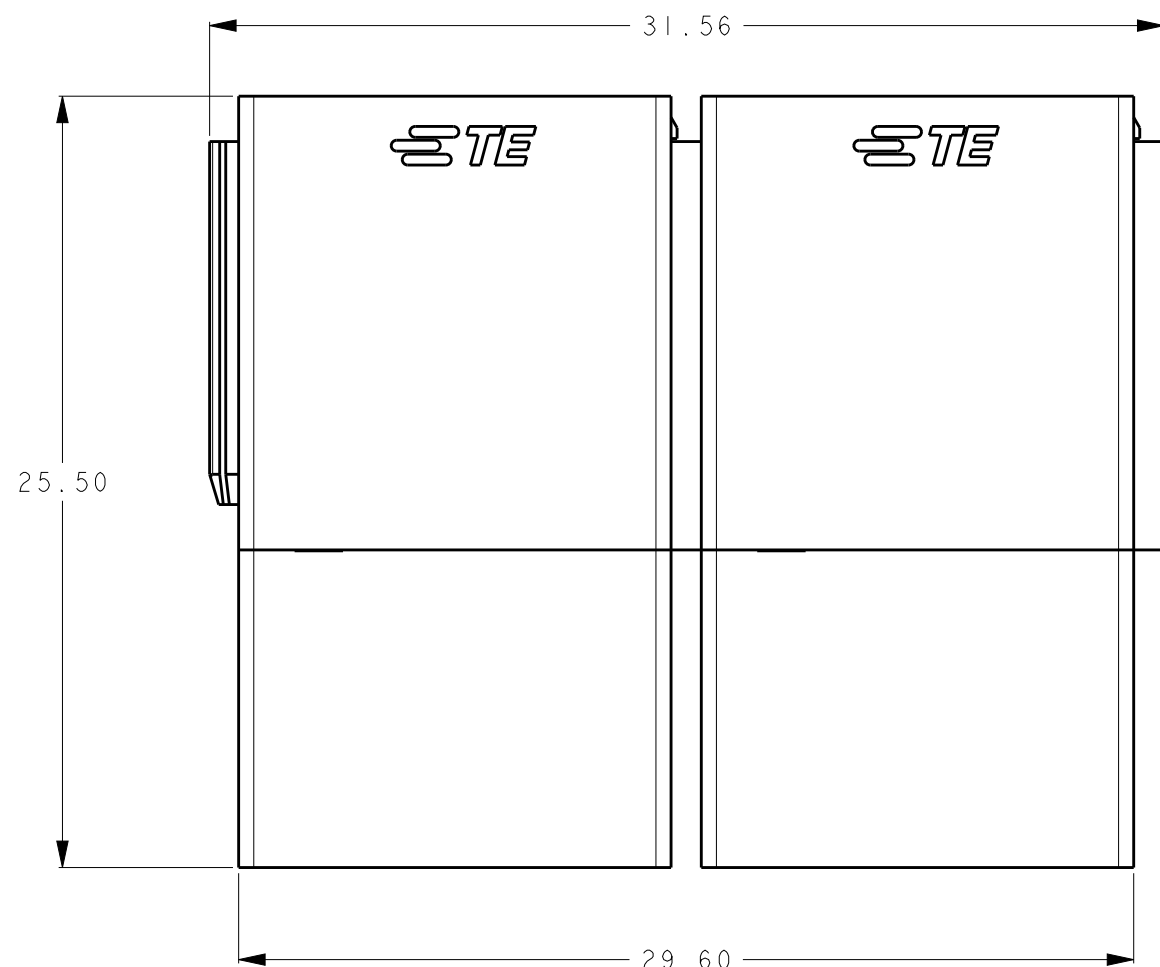
20

© COPYRIGHT 20 BY -

ALL RIGHTS RESERVED.

REVISIONS

P	LTR	DESCRIPTION	DATE	DWN	APVD
		SEE SHEET 1			



NOTE: MODULE TYPE COLOR FROM LEFT TO RIGHT AS DRAWING SHOW.

2-2834055-3	1	1-2834055-3	ORANGE
	1	1-2834055-3	ORANGE
2-2834055-2	1	1-2834055-4	RED
	1	1-2834055-2	BLACK
2-2834055-1	1	1-2834055-2	BLACK
	1	1-2834055-1	NATURAL
PART NUMBER	Q'TY	MADE FROM	PART COLOR

P/N: 2-2834055-1/2/3

THIS DRAWING IS A CONTROLLED DOCUMENT.

DIMENSIONS:		TOLERANCES UNLESS OTHERWISE SPECIFIED:	
mm		±0.50	
		0-PLC	±
		1-PLC	±
		2-PLC	±
		3-PLC	±
		4-PLC	±
		ANGLES	±1°
MATERIAL		FINISH	
-		-	

DWN	ZHANG WEI	18DEC2015
CHK	SHI MING	18DEC2015
APVD	XU XIANG	18DEC2015
PRODUCT SPEC	108-137160	
APPLICATION SPEC	114-137160	
WEIGHT	4.76g	
CUSTOMER DRAWING		

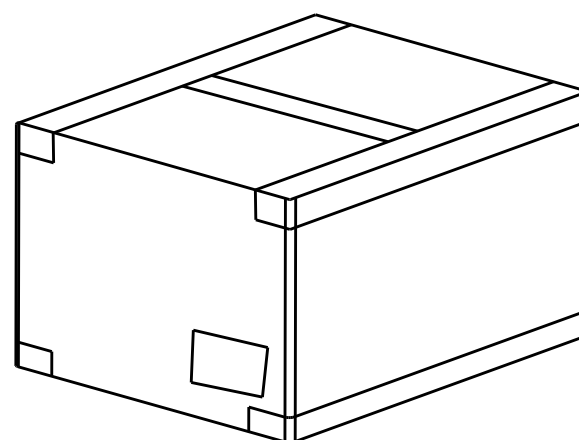
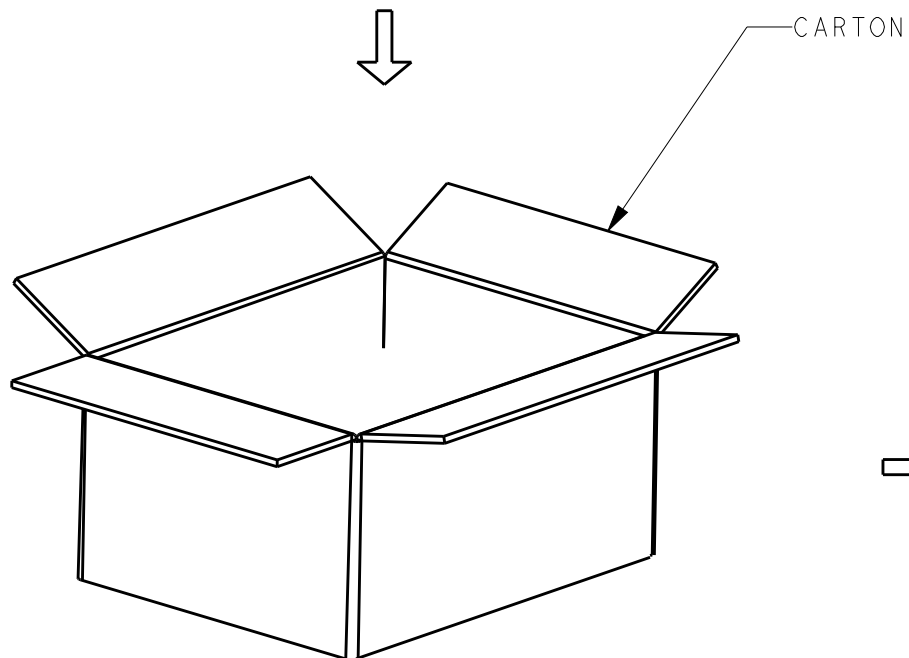
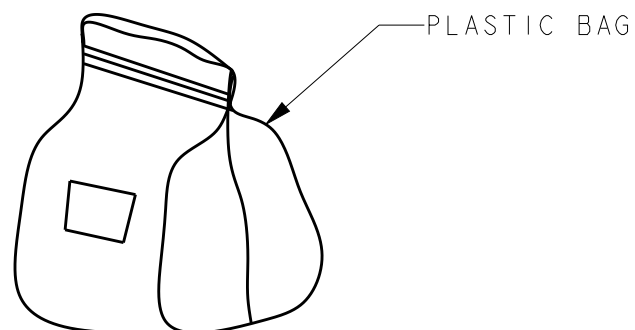
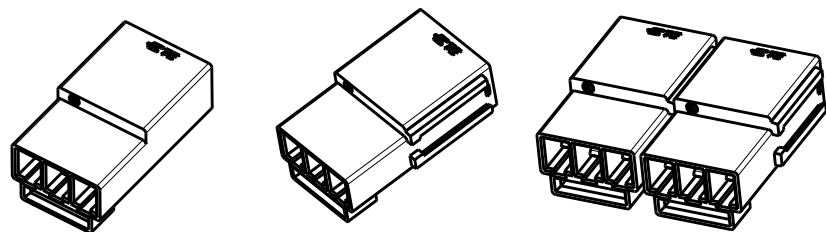
STE TE Connectivity

NAME: 3 PIN WIRE TO WIRE CONNECTOR REC ASSEMBLY

SIZE	CAGE CODE	DRAWING NO	RESTRICTED TO
A3	00779	C-2834055	-

SCALE: 2:1 SHEET 3 OF 4 REV B

REVISIONS					
P	LTR	DESCRIPTION	DATE	DWN	APVD
	-	SEE SHEET 1	-	-	-




NOTE:
1. PACKAGING QUANTITY: SEE TABLE.

PART NUMBER	PAIRS PER BAG	BAGS PER CARTON	PAIRS PER CARTON
2834055-*	400	6	2400

PART NUMBER	PAIRS PER BAG	BAGS PER CARTON	PAIRS PER CARTON
1-2834055-*	400	6	2400

PART NUMBER	PAIRS PER BAG	BAGS PER CARTON	PAIRS PER CARTON
2-2834055-*	150	6	900

THIS DRAWING IS A CONTROLLED DOCUMENT.		DWN ZHANG WEI 18DEC2015	 TE Connectivity NAME 3 PIN WIRE TO WIRE CONNECTOR REC ASSEMBLY	
DIMENSIONS: mm		CHK SHI MING 18DEC2015		
TOLERANCES UNLESS OTHERWISE SPECIFIED:		APVD XU XIANG 18DEC2015		
0 PLC ± 1 PLC ± 2 PLC ± 3 PLC ± 4 PLC ± ANGLES ±1°		PRODUCT SPEC 108-137160		
MATERIAL -		FINISH -	APPLICATION SPEC 114-137160	SIZE A3
		WEIGHT -	CAGE CODE 00779	DRAWING NO 2834055
CUSTOMER DRAWING			RESTRICTED TO -	SCALE 2:1
			SHEET 4	OF 4
			REV B	

X-ON Electronics

Largest Supplier of Electrical and Electronic Components

Click to view similar products for [Lighting Connectors](#) category:

Click to view products by [TE Connectivity](#) manufacturer:

Other Similar products are found below :

[293300-7](#) [293660-5](#) [CNX_H03_NTP](#) [30-9767-BU](#) [3605](#) [3-21030-1](#) [ZCH-110-RGB-I](#) [503471-0290](#) [ZCH-110-RGB-J](#) [217-0716-200](#)
[1954563-1](#) [1-293657-2](#) [2834036-1](#) [2834037-1](#) [1-2213222-4](#) [2-2213222-4](#) [2213222-4](#) [2834122-3](#) [2834122-5](#) [2834135-2](#) [FLA-R4142-30](#)
[FLA-R4162-30](#) [FLA-R2142-30](#) [FLA-R2141-30](#) [FLA-R2162-30](#) [FLA-R2161-30](#) [FLA-R0161-30](#) [FLA-R0141-30](#) [FLA-R0142-30](#) [FLA-](#)
[R0162-30](#) [FLA-C00-00](#) [DGA00010553](#) [CNXV04NTP](#) [104128-0610](#) [503485-0000 \(Cut Strip\)](#) [503485-0000 \(Loose Piece\)](#) [503485-0000](#)
[\(MINI Reel\)](#) [1-2834074-2](#) [1-2834074-3](#) [1357-AC PLUG W2C \(CHINA\)](#) [1357-AC PLUG W2 \(USA\)](#) [104266-0110](#) [2106212-1](#) [2-2834074-2](#)
[104266-0210](#) [293470-1](#) [293651-2](#) [293651-4](#) [1-2834006-2](#) [293651-1](#)