

THIS DRAWING IS UNPUBLISHED.

RELEASED FOR PUBLICATION

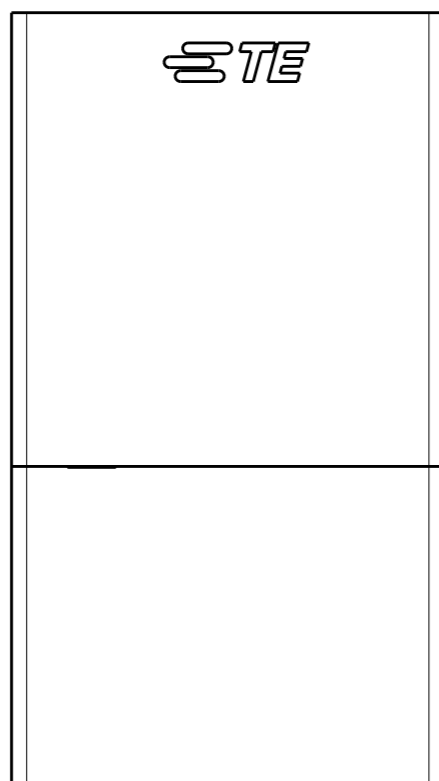
20

© COPYRIGHT 20 BY -

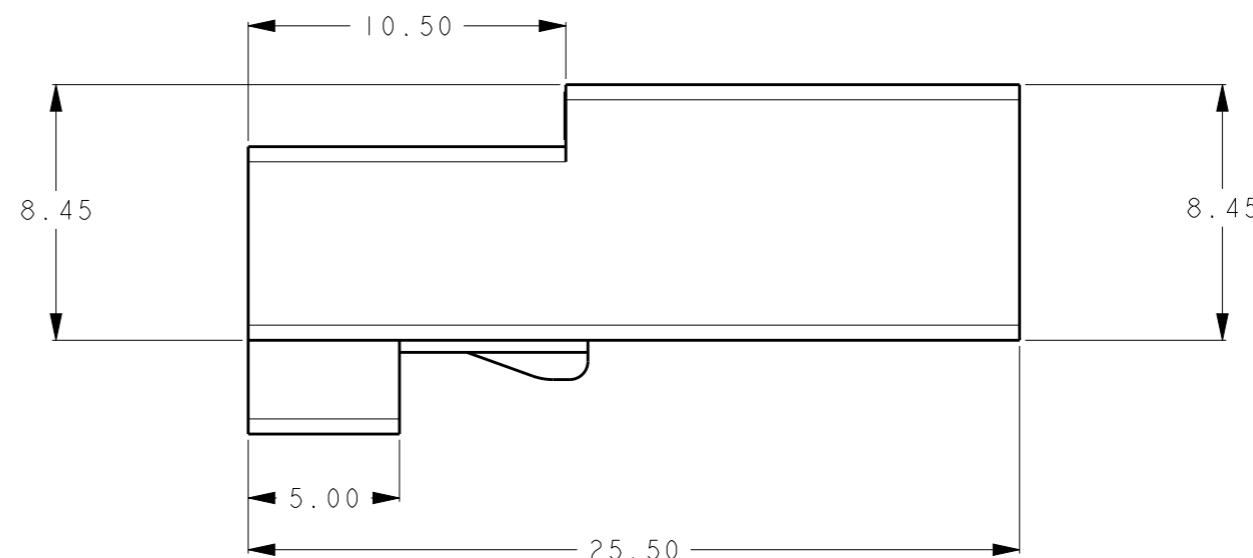
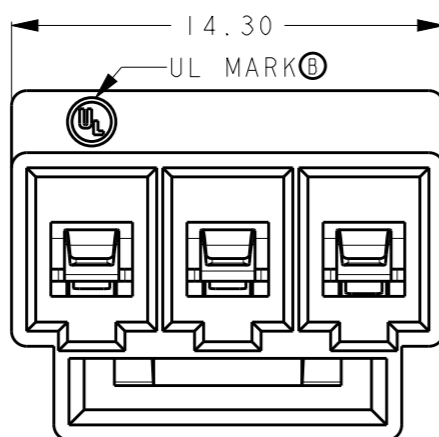
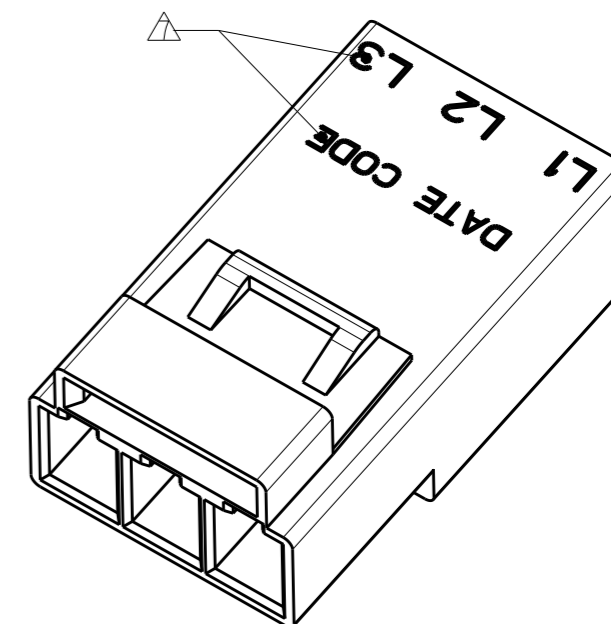
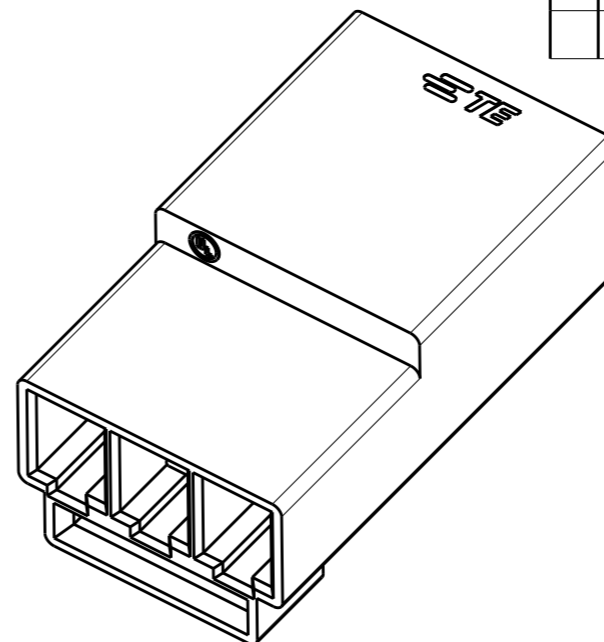
ALL RIGHTS RESERVED.

REVISIONS

P	LTR	DESCRIPTION	DATE	DWN	APVD
A		INITIAL RELEASE	11 JULY 2016	W.Z	X.X
B		ADD UL MARK	16 JUL 2018	W.Z	S.M



DATE CODE
 YY WW X
 ↑ ↑ ↑
 YY=YEAR
 EX: 15=2015
 WW=WEEK
 EX: 12=12
 X=DAY
 EX: 5=5



NOTE:

- PART NUMBER: SEE TABLE.
 - MATERIAL:
 TERMINAL: COPPER ALLOY
 HOUSING: THERMOPLASTIC, UL94-V0.
 - FINISH
 TERMINAL: TIN PLATING OVERALL.
 - PACKAGING: PLASTIC BAG.
 - APPLICABLE WIRE:
 SOLID: 18-22AWG
 STRANDED WIRE: 16-20AWG(26 STRANDS MAX. FOR 16AWG
 16 STRANDS MAX. FOR 18AWG, 7 STRANDS MAX. FOR 20AWG)
- △ MARK APPROXIMATION LOCATION.

2834055-4	2834054-4	RED
2834055-3	2834054-3	ORANGE
2834055-2	2834054-2	BLACK
2834055-1	2834054-1	NATURAL
PART NUMBER	MATING PART	PART COLOR

THIS DRAWING IS A CONTROLLED DOCUMENT.		DWN 18DEC2015 ZHANG WEI	TE Connectivity													
DIMENSIONS: mm		CHK 18DEC2015 SHI MING														
TOLERANCES UNLESS OTHERWISE SPECIFIED: ±0.50		APVD 18DEC2015 XU XIANG	NAME 3 PIN WIRE TO WIRE CONNECTOR REC ASSEMBLY													
<table border="1"> <tr><td>0-PLC</td><td>±</td></tr> <tr><td>1-PLC</td><td>±</td></tr> <tr><td>2-PLC</td><td>±</td></tr> <tr><td>3-PLC</td><td>±</td></tr> <tr><td>4-PLC</td><td>±</td></tr> <tr><td>ANGLES</td><td>±1°</td></tr> </table>		0-PLC	±	1-PLC	±	2-PLC	±	3-PLC	±	4-PLC	±	ANGLES	±1°	PRODUCT SPEC 108-137160	SIZE A300779	
0-PLC	±															
1-PLC	±															
2-PLC	±															
3-PLC	±															
4-PLC	±															
ANGLES	±1°															
MATERIAL		APPLICATION SPEC 114-137160	DRAWING NO C-2834055													
FINISH		WEIGHT 2.32g	RESTRICTED TO													
		CUSTOMER DRAWING	SCALE 2:1 SHEET 1 OF 4 REV B													

THIS DRAWING IS UNPUBLISHED.

RELEASED FOR PUBLICATION

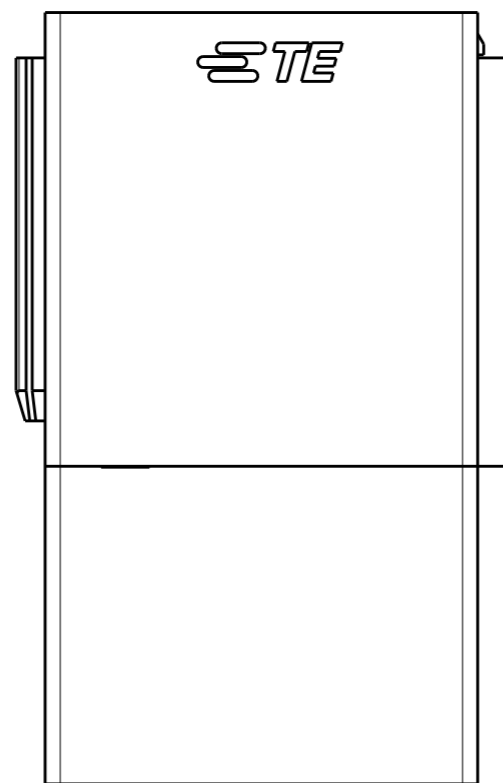
20

© COPYRIGHT 20 BY -

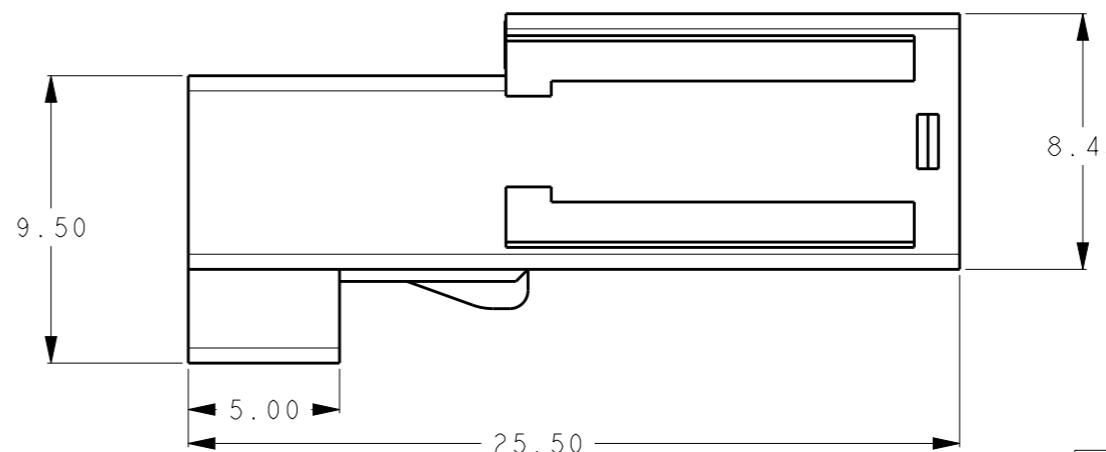
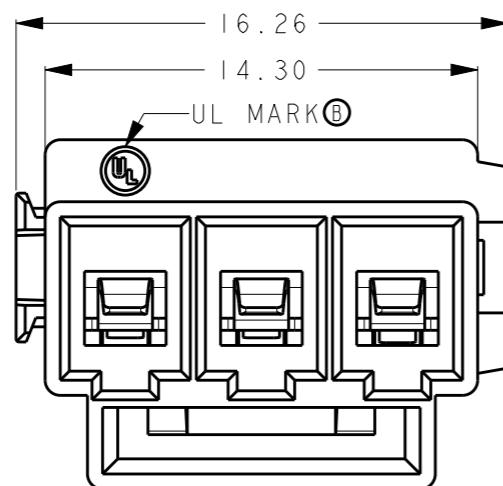
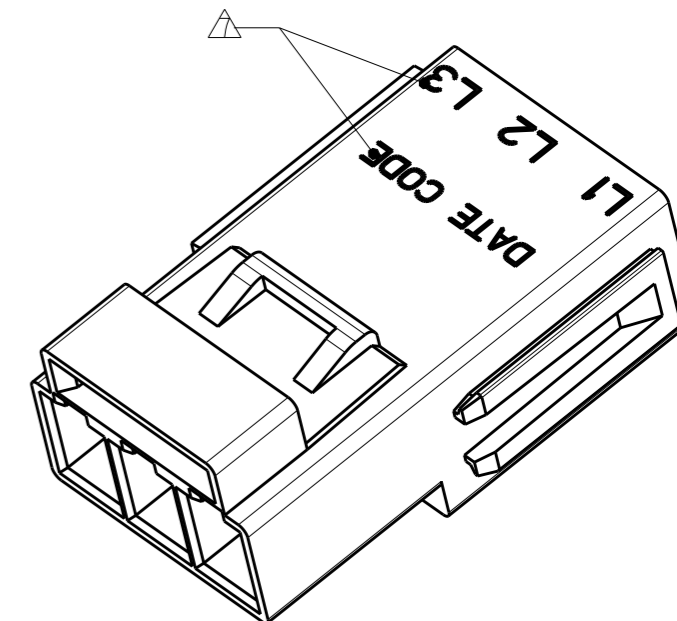
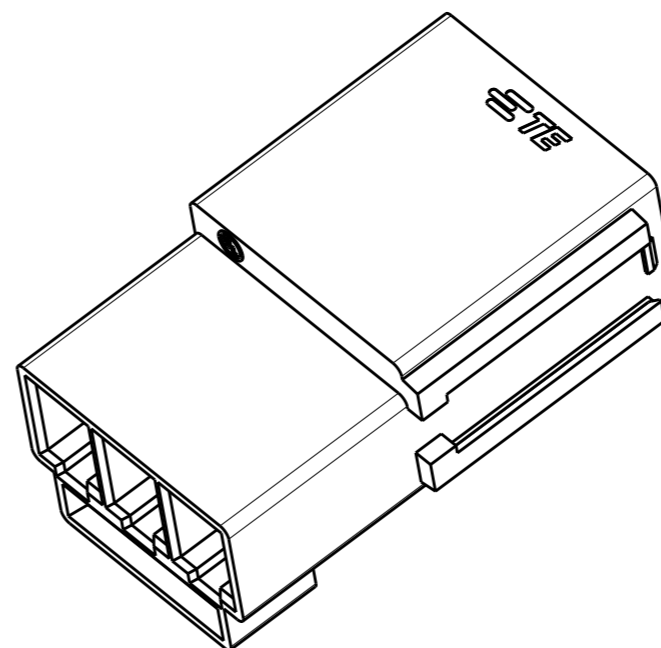
ALL RIGHTS RESERVED.

REVISIONS

P	LTR	DESCRIPTION	DATE	DWN	APVD
		SEE SHEET 1			




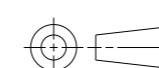
DATE CODE
 YY WW X
 ↑ ↑ ↑
 YY=YEAR
 EX: 15=2015
 WW=WEEK
 EX: 12=12
 X=DAY
 EX: 5=5



1-2834055-4	RED
1-2834055-3	ORANGE
1-2834055-2	BLACK
1-2834055-1	NATURAL
PART NUMBER	PART COLOR

NOTE:

- PART NUMBER: SEE TABLE.
 - MATERIAL:
 TERMINAL: COPPER ALLOY
 HOUSING: THERMOPLASTIC, UL94-V0.
 - FINISH
 TERMINAL: TIN PLATING OVERALL.
 - PACKAGING: PLASTIC BAG.
 - APPLICABLE WIRE:
 SOLID: 18-22AWG
 STRANDED WIRE: 16-20AWG(26 STRANDS MAX. FOR 16AWG
 16 STRANDS MAX. FOR 18AWG, 7 STRANDS MAX. FOR 20AWG)
- △ MARK APPROXIMATION LOCATION.

THIS DRAWING IS A CONTROLLED DOCUMENT.		DWN 18DEC2015 ZHANG WEI	 TE Connectivity	
DIMENSIONS: mm		CHK 18DEC2015 SHI MING		
		APVD 18DEC2015 XU XIANG	NAME 3 PIN WIRE TO WIRE CONNECTOR REC ASSEMBLY	
TOLERANCES UNLESS OTHERWISE SPECIFIED: ±0.50		PRODUCT SPEC 108-137160	RESTRICTED TO	
0-PLC ± 1-PLC ± 2-PLC ± 3-PLC ± 4-PLC ±		APPLICATION SPEC 114-137160	SIZE A300779	CAGE CODE C-2834055
MATERIAL -		FINISH -	DRAWING NO -	
-		WEIGHT 2.38g	SCALE 4:1	
-		CUSTOMER DRAWING	SHEET 2 OF 4	
			REV B	

THIS DRAWING IS UNPUBLISHED.

RELEASED FOR PUBLICATION

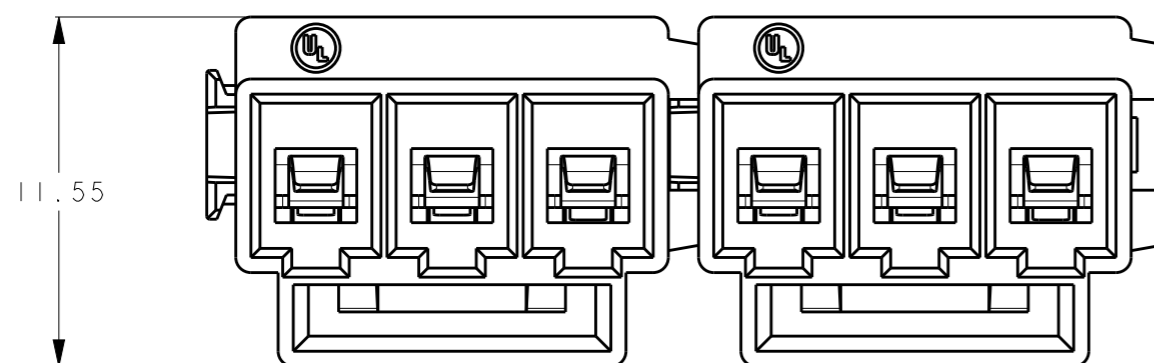
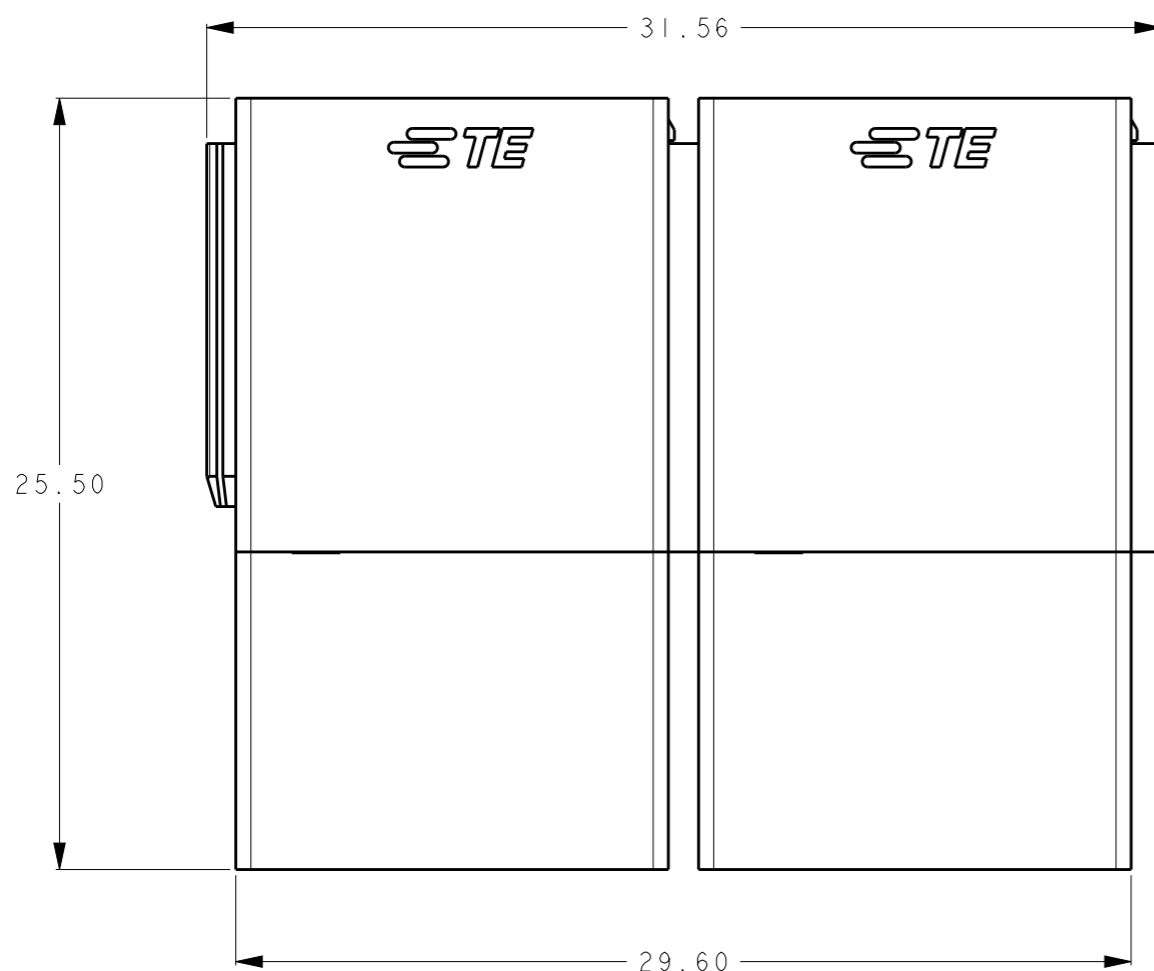
20

© COPYRIGHT 20 BY -

ALL RIGHTS RESERVED.

REVISIONS

P	LTR	DESCRIPTION	DATE	DWN	APVD
		SEE SHEET 1			



P/N: 2-2834055-1/2/3

NOTE:
MODULE TYPE COLOR FROM LEFT TO RIGHT AS DRAWING SHOW.

2-2834055-3	I	1-2834055-3	ORANGE
	I	1-2834055-3	ORANGE
2-2834055-2	I	1-2834055-4	RED
	I	1-2834055-2	BLACK
2-2834055-1	I	1-2834055-2	BLACK
	I	1-2834055-1	NATURAL
PART NUMBER	Q'TY	MADE FROM	PART COLOR

THIS DRAWING IS A CONTROLLED DOCUMENT.

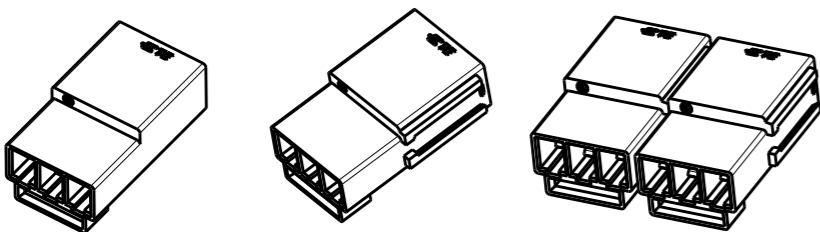
DIMENSIONS:	TOLERANCES UNLESS OTHERWISE SPECIFIED:
mm	± 0.50
	0-PLC \pm
	1-PLC \pm
	2-PLC \pm
	3-PLC \pm
	4-PLC \pm
	ANGLES $\pm 1^\circ$
MATERIAL	FINISH
-	-
-	-

DWN	ZHANG WEI	18DEC2015
CHK	SHI MING	18DEC2015
APVD	XU XIANG	18DEC2015
PRODUCT SPEC	108-137160	
APPLICATION SPEC	114-137160	
WEIGHT	4.76g	
CUSTOMER DRAWING		

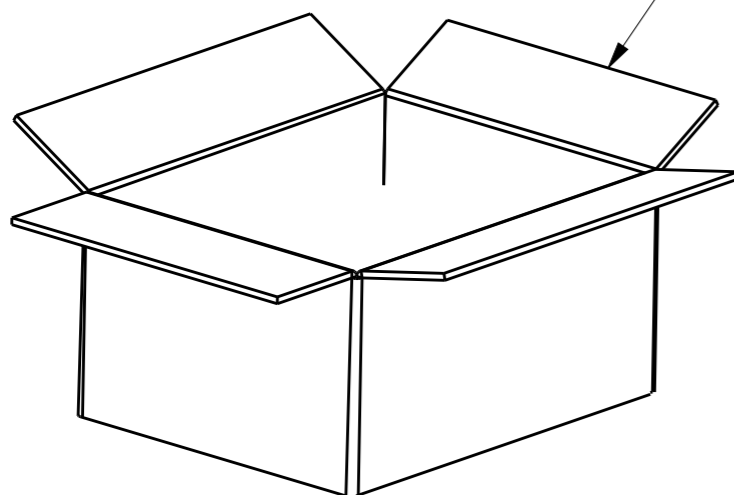
STE TE Connectivity

NAME
3 PIN WIRE TO WIRE CONNECTOR
REC ASSEMBLY

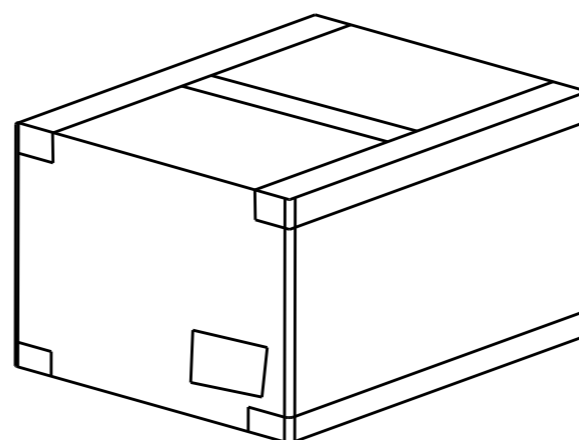
SIZE	CAGE CODE	DRAWING NO	RESTRICTED TO
A3	00779	C-2834055	-
SCALE	2:1	SHEET	3 OF 4
		REV	B



PLASTIC BAG



CARTON



REVISIONS

P	LTR	DESCRIPTION	DATE	DWN	APVD
-	-	SEE SHEET 1	-	-	-

NOTE:
1. PACKAGING QUANTITY: SEE TABLE.

PART NUMBER	PAIRS PER BAG	BAGS PER CARTON	PAIRS PER CARTON
2834055-*	400	6	2400

PART NUMBER	PAIRS PER BAG	BAGS PER CARTON	PAIRS PER CARTON
1-2834055-*	400	6	2400

PART NUMBER	PAIRS PER BAG	BAGS PER CARTON	PAIRS PER CARTON
2-2834055-*	150	6	900

THIS DRAWING IS A CONTROLLED DOCUMENT.

DIMENSIONS:	TOLERANCES UNLESS OTHERWISE SPECIFIED:
mm	
	0 PLC ±
	1 PLC ±
	2 PLC ±
	3 PLC ±
	4 PLC ±
	ANGLES ± 1°
MATERIAL	FINISH
-	-
-	-

DWN	ZHANG WEI	18DEC2015
CHK	SHI MING	18DEC2015
APVD	XU XIANG	18DEC2015
PRODUCT SPEC	108-137160	
APPLICATION SPEC	114-137160	
WEIGHT	-	
CUSTOMER DRAWING		



NAME				3 PIN WIRE TO WIRE CONNECTOR REC ASSEMBLY	
SIZE	CAGE CODE	DRAWING NO	RESTRICTED TO		
A3	00779	C-2834055	-		
SCALE		SHEET	OF	REV	
2:1		4	4	B	

X-ON Electronics

Largest Supplier of Electrical and Electronic Components

Click to view similar products for [Lighting Connectors](#) category:

Click to view products by [TE Connectivity](#) manufacturer:

Other Similar products are found below :

[293300-7](#) [293660-5](#) [CNX_H03_NTP](#) [30-9767-BU](#) [3605](#) [3-21030-1](#) [ZCH-110-RGB-I](#) [503471-0290](#) [ZCH-110-RGB-J](#) [217-0716-200](#)
[1954563-1](#) [1-293657-2](#) [2834036-1](#) [2834037-1](#) [1-2213222-4](#) [2-2213222-4](#) [2213222-4](#) [2834122-3](#) [2834122-5](#) [2834135-2](#) [FLA-R4142-30](#)
[FLA-R4162-30](#) [FLA-R2142-30](#) [FLA-R2141-30](#) [FLA-R2162-30](#) [FLA-R2161-30](#) [FLA-R0161-30](#) [FLA-R0141-30](#) [FLA-R0142-30](#) [FLA-](#)
[R0162-30](#) [FLA-C00-00](#) [DGA00010553](#) [CNXV04NTP](#) [104128-0610](#) [503485-0000 \(Cut Strip\)](#) [503485-0000 \(Loose Piece\)](#) [503485-0000](#)
[\(MINI Reel\)](#) [1-2834074-2](#) [1-2834074-3](#) [1357-AC PLUG W2C \(CHINA\)](#) [1357-AC PLUG W2 \(USA\)](#) [104266-0110](#) [CNXV02NTP](#) [2106212-1](#)
[2-2834074-2](#) [104266-0210](#) [293470-1](#) [293651-2](#) [293651-4](#) [1-2834006-2](#)