

4

3

2

1

THIS DRAWING IS UNPUBLISHED.

RELEASED FOR PUBLICATION

20

© COPYRIGHT 20

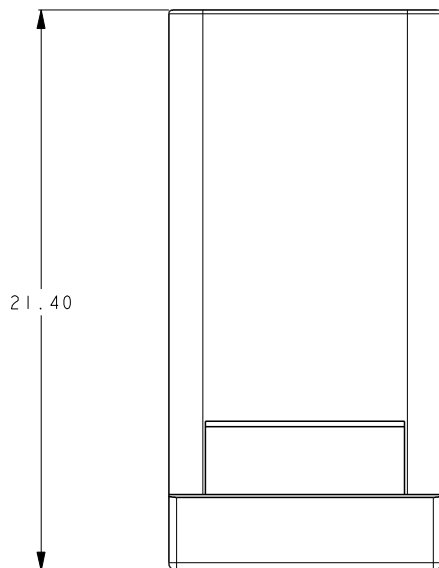
ALL RIGHTS RESERVED.

ES

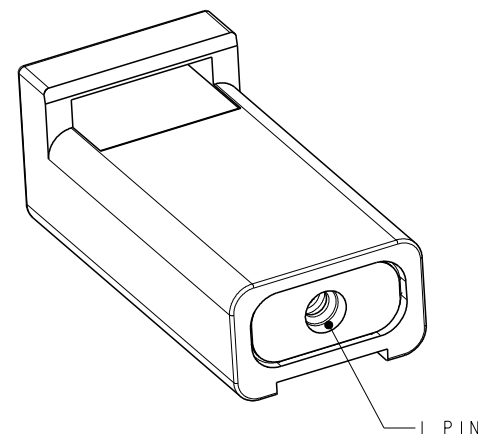
REVISIONS

P	LTR	DESCRIPTION	DATE	DWN	APVD
A		INITIAL RELEASE	25JUL2016	Z.W	X.X
B		ADD NEW I POS PART NUMBERS	20JUN2017	Z.W	S.M
C		UPDATE PACKAGE SPEC	2JAN2018	Z.W	S.M

D

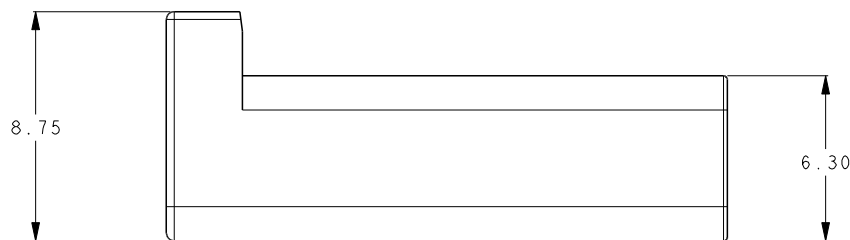
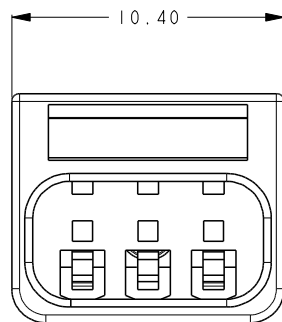


C



D

B




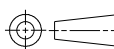

C

GRAY	I	4-2834075-1
RED	I	3-2834075-1
BLACK	I	2-2834075-1
WHITE	I	1-2834075-1
COLOR	NO OF POSN	PART NUMBER

B

A

- NOTES:
- MATERIAL: HOUSING: THERMOPLASTIC, UL94-V0. SEAL: RUBBER.
 - PN: SEE TABLE
 - PACKAGING: TRAY.
 - PACKAGING SPEC: 107-137093.

THIS DRAWING IS A CONTROLLED DOCUMENT.		DWN 15JULY2016 ZHANG WEI	 TE Connectivity	
DIMENSIONS: mm		CHK 15JULY2016 SHI MING		
TOLERANCES UNLESS OTHERWISE SPECIFIED: ±0.5		APVD 15JULY2016 XU XIANG	NAME	
		PRODUCT SPEC 108-137093	RECEPTACLE MINIATURE WATERPROOF CONN.	
MATERIAL		APPLICATION SPEC 114-137093	SIZE	RESTRICTED TO
FINISH		WEIGHT	CAGE CODE	DRAWING NO
		CUSTOMER DRAWING	A300779	C=2834075
		SCALE 5:1	SHEET 1 OF 4	REV C

4

3

2

1

THIS DRAWING IS UNPUBLISHED.

RELEASED FOR PUBLICATION

20

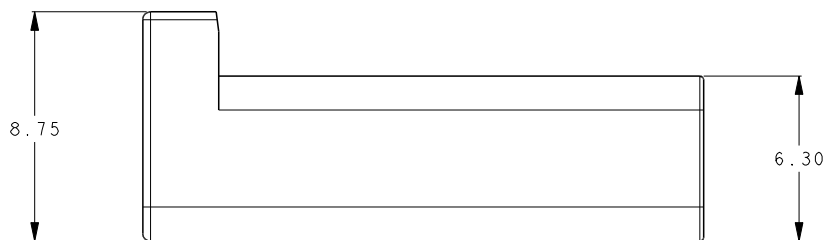
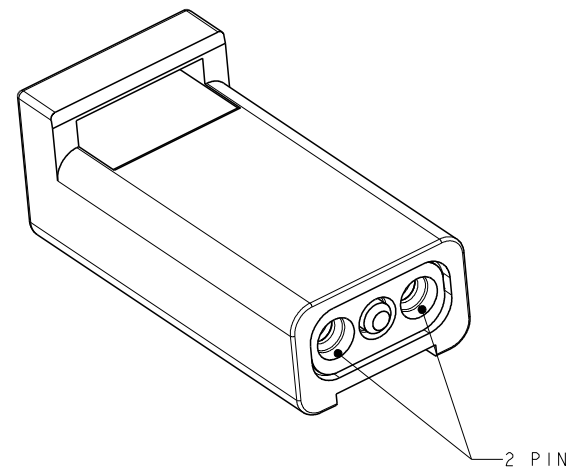
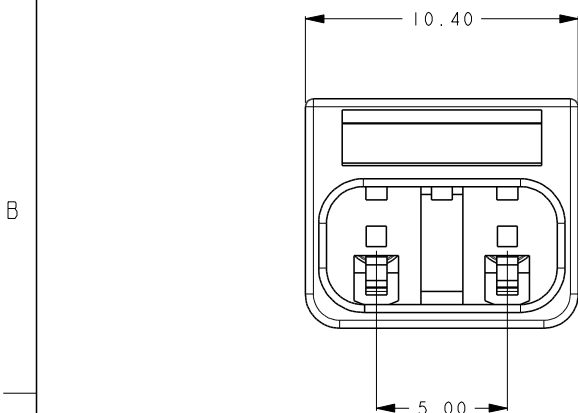
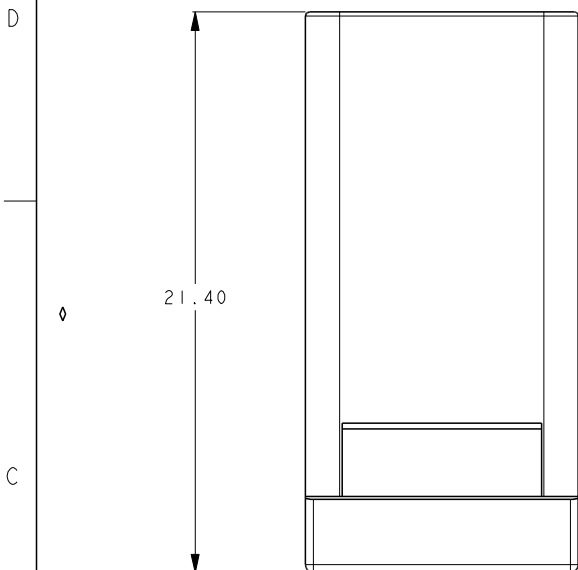
© COPYRIGHT 20

ALL RIGHTS RESERVED.

ES


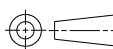
REVISIONS

P	LTR	DESCRIPTION	DATE	DWN	APVD
		SEE SHEET 1			



GRAY	2	4-2834075-2
RED	2	3-2834075-2
BLACK	2	2-2834075-2
WHITE	2	1-2834075-2
COLOR	NO OF POSN	PART NUMBER

- NOTES:
- MATERIAL:
HOUSING: THERMOPLASTIC, UL94-V0.
SEAL: RUBBER.
 - PN: SEE TABLE
 - PACKAGING: TRAY.
 - PACKAGING SPEC: 107-137093.

THIS DRAWING IS A CONTROLLED DOCUMENT.		DWN	15 JULY 2016	 TE Connectivity											
DIMENSIONS: mm		CHK	15 JULY 2016												
TOLERANCES UNLESS OTHERWISE SPECIFIED: ±0.5		APVD	15 JULY 2016												
<table border="1"> <tr><td>0-PLC</td><td>±</td></tr> <tr><td>1-PLC</td><td>±</td></tr> <tr><td>2-PLC</td><td>±</td></tr> <tr><td>3-PLC</td><td>±</td></tr> <tr><td>4-PLC</td><td>±</td></tr> <tr><td>ANGLES</td><td>±5°</td></tr> </table>		0-PLC	±			1-PLC	±	2-PLC	±	3-PLC	±	4-PLC	±	ANGLES	±5°
0-PLC	±														
1-PLC	±														
2-PLC	±														
3-PLC	±														
4-PLC	±														
ANGLES	±5°														
		PRODUCT SPEC	108-137093	RECEPTACLE MINIATURE WATERPROOF CONN.											
MATERIAL	FINISH	APPLICATION SPEC	114-137093	SIZE	RESTRICTED TO										
		WEIGHT	-	CAGE CODE											
		CUSTOMER DRAWING		DRAWING NO											
		A300779		©=2834075											
		SCALE	5:1	SHEET	2 OF 4										
		REV	C												

4

3

2

1

THIS DRAWING IS UNPUBLISHED.

RELEASED FOR PUBLICATION

20

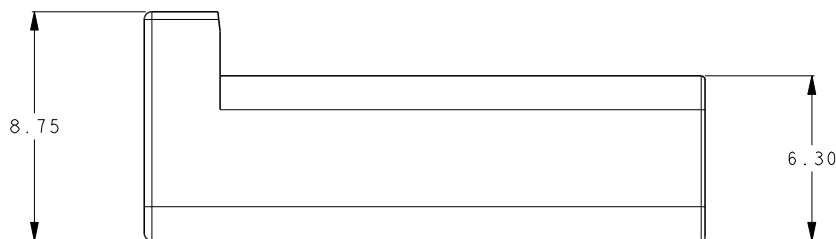
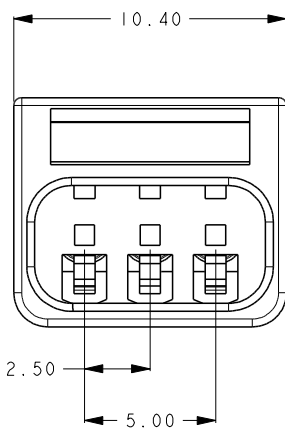
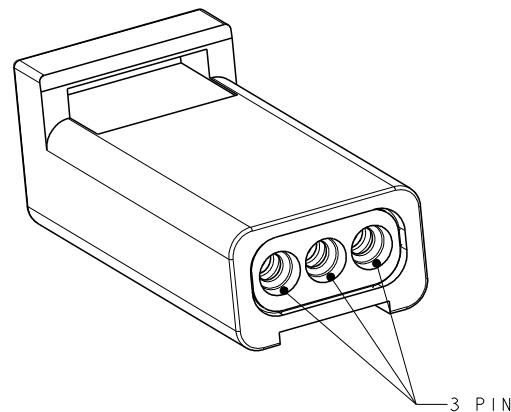
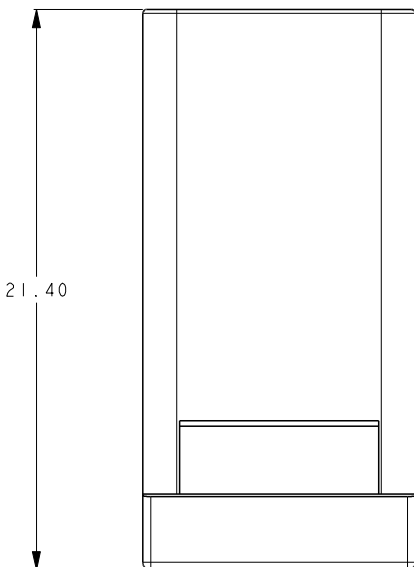
© COPYRIGHT 20

ALL RIGHTS RESERVED.

ES

REVISIONS

P	LTR	DESCRIPTION	DATE	DWN	APVD
		SEE SHEET 1			



GRAY	3	4-2834075-3
RED	3	3-2834075-3
BLACK	3	2-2834075-3
WHITE	3	1-2834075-3
COLOR	NO OF POSN	PART NUMBER

NOTES:

- MATERIAL: HOUSING: THERMOPLASTIC, UL94-V0. SEAL: RUBBER.
- PN: SEE TABLE
- PACKAGING: TRAY.
- PACKAGING SPEC: 107-137093.

THIS DRAWING IS A CONTROLLED DOCUMENT.

DIMENSIONS: mm	TOLERANCES UNLESS OTHERWISE SPECIFIED: ± 0.5
	0-PLC ±
	1-PLC ±
	2-PLC ±
	3-PLC ±
	4-PLC ±
MATERIAL	FINISH
	-

DWN	15 JULY 2016	ZHANG WEI
CHK	15 JULY 2016	SHI MING
APVD	15 JULY 2016	XU XIANG
PRODUCT SPEC	108-137093	
APPLICATION SPEC	114-137093	
WEIGHT	-	
CUSTOMER DRAWING		

STE TE Connectivity

RECEPTACLE
MINIATURE WATERPROOF CONN.

SIZE	CAGE CODE	DRAWING NO	RESTRICTED TO
A3	00779	C=2834075	-
SCALE	SHEET	OF	REV
5:1	3	4	C

THIS DRAWING IS UNPUBLISHED.

RELEASED FOR PUBLICATION

20

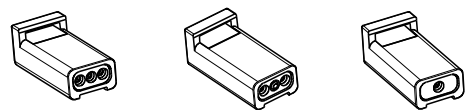
© COPYRIGHT 20

ALL RIGHTS RESERVED.

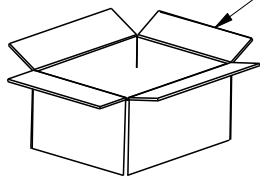
ES

REVISIONS

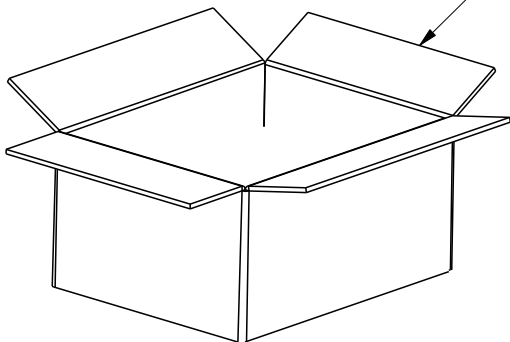
P	LTR	DESCRIPTION	DATE	DWN	APVD
		SEE SHEET 1			



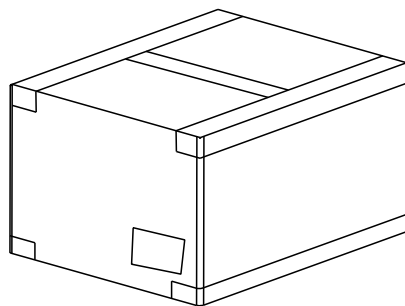
TRAY



INNER CARTON



OUTER CARTON



- NOTE:
- 1. PUT PARTS IN THE TRAY.
 - 2. PUT 5 PACKED TRAYS INTO ONE INNER CARTON. PUT 4 INNER CARTONS INTO ONE OUTER CARTON. TOTAL 20 PACKED TRAYS.
 - 3. SEAL THE CARTON
 - 4. PACKAGING QUANTITY: SEE TABLE.
 - 5. PACKAGING SPEC : 107-137093.

©

PART NUMBER	PARTS PER TRAY	TRAYS PER INNER CARTON	PARTS PER INNER CARTON	TRAYS PER OUTER CARTON	PARTS PER OUTER CARTON
1-2834075-1	288 PCS	5	1440 PCS	20	5760 PCS
2-2834075-1	288 PCS	5	1440 PCS	20	5760 PCS
3-2834075-1	288 PCS	5	1440 PCS	20	5760 PCS
4-2834075-1	288 PCS	5	1440 PCS	20	5760 PCS
1-2834075-2	288 PCS	5	1440 PCS	20	5760 PCS
2-2834075-2	288 PCS	5	1440 PCS	20	5760 PCS
3-2834075-2	288 PCS	5	1440 PCS	20	5760 PCS
4-2834075-2	288 PCS	5	1440 PCS	20	5760 PCS
1-2834075-3	288 PCS	5	1440 PCS	20	5760 PCS
2-2834075-3	288 PCS	5	1440 PCS	20	5760 PCS
3-2834075-3	288 PCS	5	1440 PCS	20	5760 PCS
4-2834075-3	288 PCS	5	1440 PCS	20	5760 PCS

THIS DRAWING IS A CONTROLLED DOCUMENT.

DIMENSIONS: mm	TOLERANCES UNLESS OTHERWISE SPECIFIED: ± 0.5
	0-PLC ±
	1-PLC ±
	2-PLC ±
	3-PLC ±
	4-PLC ±
MATERIAL	FINISH

DWN	15 JULY 2016 ZHANG WEI
CHK	15 JULY 2016 SHI MING
APVD	15 JULY 2016 XU XIANG
PRODUCT SPEC	108-137093
APPLICATION SPEC	114-137093
WEIGHT	-
CUSTOMER DRAWING	



RECEPTACLE
MINIATURE WATERPROOF CONNECTOR

NAME	RESTRICTED TO		
SIZE	CAGE CODE	DRAWING NO	
A300779	C=2834074		
SCALE	SHEET	OF	REV
5:1	4	4	C

X-ON Electronics

Largest Supplier of Electrical and Electronic Components

Click to view similar products for [Lighting Connectors](#) category:

Click to view products by [TE Connectivity](#) manufacturer:

Other Similar products are found below :

[293300-7](#) [293660-5](#) [CNX_H03_NTP](#) [30-9767-BU](#) [3605](#) [3-21030-1](#) [ZCH-110-RGB-I](#) [503471-0290](#) [ZCH-110-RGB-J](#) [217-0716-200](#)
[1954563-1](#) [1-293657-2](#) [2834036-1](#) [2834037-1](#) [1-2213222-4](#) [2-2213222-4](#) [2213222-4](#) [2834122-3](#) [2834122-5](#) [2834135-2](#) [FLA-R4142-30](#)
[FLA-R4162-30](#) [FLA-R2142-30](#) [FLA-R2141-30](#) [FLA-R2162-30](#) [FLA-R2161-30](#) [FLA-R0161-30](#) [FLA-R0141-30](#) [FLA-R0142-30](#) [FLA-](#)
[R0162-30](#) [FLA-C00-00](#) [DGA00010553](#) [CNXV04NTP](#) [104128-0610](#) [503485-0000 \(Cut Strip\)](#) [503485-0000 \(Loose Piece\)](#) [503485-0000](#)
[\(MINI Reel\)](#) [1-2834074-2](#) [1-2834074-3](#) [1357-AC PLUG W2C \(CHINA\)](#) [1357-AC PLUG W2 \(USA\)](#) [104266-0110](#) [2106212-1](#) [2-2834074-2](#)
[104266-0210](#) [293470-1](#) [293651-2](#) [293651-4](#) [1-2834006-2](#) [293651-1](#)