

4

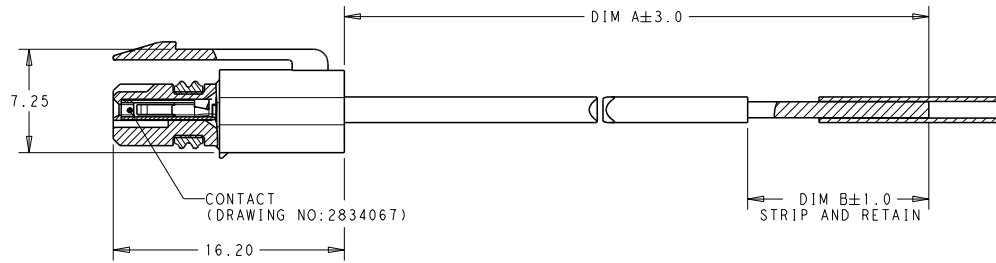
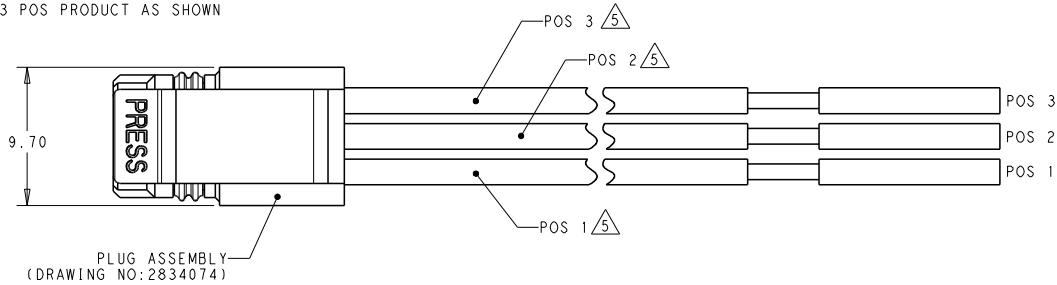
3

2

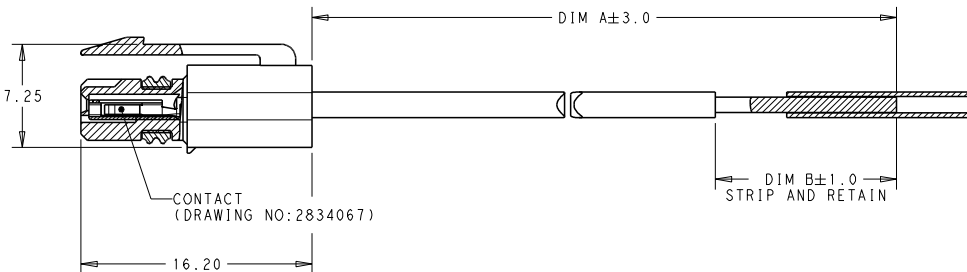
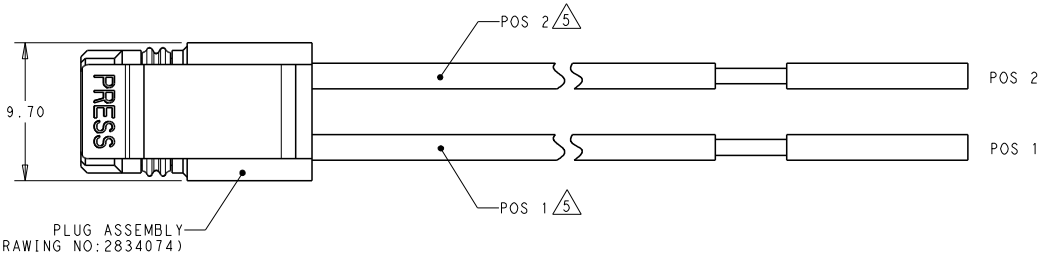
1

THIS DRAWING IS UNPUBLISHED. RELEASED FOR PUBLICATION. COPYRIGHT BY ALL RIGHTS RESERVED.

3 POS PRODUCT AS SHOWN

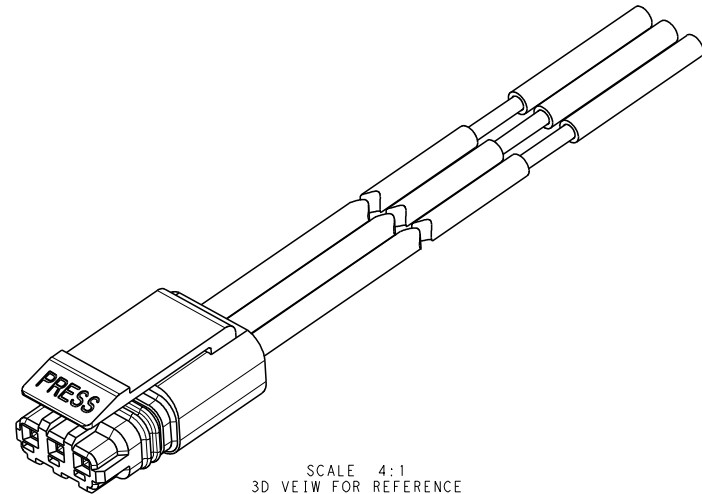


2 POS PRODUCT AS SHOWN



REVISIONS				
P	LYR	DESCRIPTION	DATE	OWN APVD
A		INITIAL RELEASE	18JAN2017	W. Z X. X
B		ECR-17-017177	22NOV2017	W. Z S. M

- 1 MATERIAL:  
CONTACT: COPPER ALLOY.  
HOUSING: THERMOPLASTIC, UL94-V0.
  - 2 FINISH:  
GOLD FLASH PLATING ON CONTACT MATING AREA. TIN PLATING ON CRIMP AREA AND ALL NICKLE UNDERPLATED.
  - 3 FINISH:  
ALL TIN PLATING OVER NICKLE UNDERPLATING.
  - 4 WIRE SPEC: 18AWG, 41 STRAND, UL 1061 STYLE.  
20AWG, 26 STRAND, UL 1007 STYLE.  
22AWG, 17 STRAND, UL 1007 STYLE.
  - 5 WIRE COLOR DEFINITION (SEE NEXT PAGE WIRE COLOR CHART).
  - 6 PART NUMBER LIST: SEE TABLE ON NEXT PAGE.
  - 7 WIRE SPEC: 22AWG, UL WET RATED WIRE, CHAMPLAIN 3680.
8. PACKAGING SPECIFICATION: 107-137327.



SCALE 4:1  
3D VIEW FOR REFERENCE

THIS DRAWING IS A CONTROLLED DOCUMENT.		OWN: ZHANG WEI 22NOV2017		
		CHK: FU XIAOZH 22NOV2017		
DIMENSIONS: (mm)		APVD: SHEI MING 22NOV2017	NAME: PLUG CABLE ASSEMBLY MINIATURE WATERPROOF CONNECTOR	
		PRODUCT SPEC: 108-137093	SIZE: A2	
TOLERANCES UNLESS OTHERWISE SPECIFIED: 0 PLC ±0.5 1 PLC ±0.5 2 PLC ±0.5 3 PLC ±0.5 4 PLC ±0.5 ANGLES ±0.5°		APPLICATION SPEC: 114-137093	CAGE CODE: -	DRAWING NO: C=2834182
MATERIAL: -		WEIGHT: -	RESTRICTED TO: -	SCALE: 4:1
		CUSTOMER DRAWING	SHEET 1 OF 3	REV B

4

3

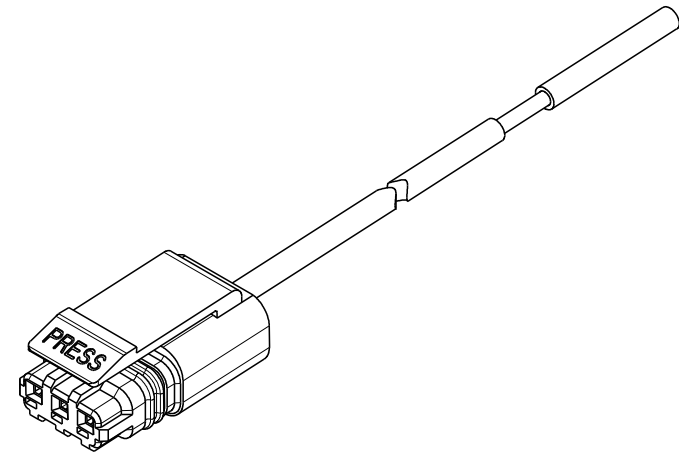
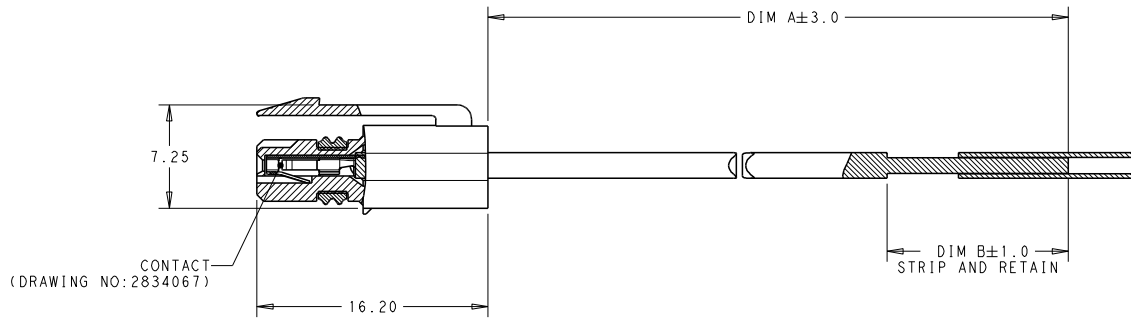
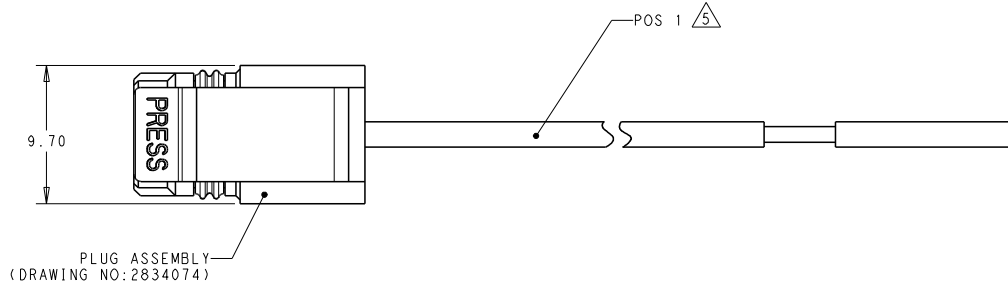
2

1

THIS DRAWING IS UNPUBLISHED. RELEASED FOR PUBLICATION  
 © COPYRIGHT BY ALL RIGHTS RESERVED.

REVISIONS					
P	LYR	DESCRIPTION	DATE	OWN	APVD
		SEE SHEET 1			

1 POS PRODUCT AS SHOWN



SCALE 4:1  
3D VIEW FOR REFERENCE

THIS DRAWING IS A CONTROLLED DOCUMENT.		DWN: ZHANG WEI 22NOV2017			
		CHK: FU XIAOZH 22NOV2017			
		APVD: SHI MING 22NOV2017	NAME: PLUG CABLE ASSEMBLY		
		PRODUCT SPEC: 108-137093	MINIATURE WATERPROOF CONNECTOR		
		APPLICATION SPEC: 114-137093	SIZE: A2	CAGE CODE: -	DRAWING NO: ©= 2834182
		MATERIAL: -	WEIGHT: -	RESTRICTED TO: -	
		CUSTOMER DRAWING	SCALE: 4:1	SHEET: 2 OF 3	REV: B

THIS DRAWING IS UNPUBLISHED. RELEASED FOR PUBLICATION  
 © COPYRIGHT - BY - ALL RIGHTS RESERVED.

REVISIONS				
P	LYR	DESCRIPTION	DATE	APPD
		SEE SHEET 1		

⑥ PART NUMBER LIST:

FINISH	DIM B	DIM A	WIRE SPEC	WIRE RANGE	HSG COLOR	POS NO	PART NO
3	12.7	203.2	4	18 AWG	WHITE	1	7-2834182-2
3	9.5	1041.4	7	22 AWG	BLACK	2	6-2834182-5
3	9.5	889	7	22 AWG	BLACK	2	6-2834182-4
3	9.5	736.6	7	22 AWG	BLACK	2	6-2834182-3
3	9.5	609.6	7	22 AWG	BLACK	2	6-2834182-2
3	9.5	457.2	7	22 AWG	BLACK	2	6-2834182-1
3	12.7	300	4	22 AWG	WHITE	2	5-2834182-6
3	12.7	200	4	22 AWG	WHITE	2	5-2834182-5
3	12.7	100	4	22 AWG	WHITE	2	5-2834182-4
3	12.7	300	4	22 AWG	WHITE	3	5-2834182-3
3	12.7	200	4	22 AWG	WHITE	3	5-2834182-2
3	12.7	100	4	22 AWG	WHITE	3	5-2834182-1
2	12.7	300	4	22 AWG	WHITE	2	4-2834182-6
2	12.7	200	4	22 AWG	WHITE	2	4-2834182-5
2	12.7	100	4	22 AWG	WHITE	2	4-2834182-4
2	12.7	300	4	22 AWG	WHITE	3	4-2834182-3
2	12.7	200	4	22 AWG	WHITE	3	4-2834182-2
2	12.7	100	4	22 AWG	WHITE	3	4-2834182-1
3	12.7	510	4	20 AWG	WHITE	2	3-2834182-8
3	12.7	254	4	20 AWG	WHITE	2	3-2834182-7
3	12.7	300	4	20 AWG	WHITE	2	3-2834182-6
3	12.7	200	4	20 AWG	WHITE	2	3-2834182-5
3	12.7	100	4	20 AWG	WHITE	2	3-2834182-4
3	12.7	300	4	20 AWG	WHITE	3	3-2834182-3
3	12.7	200	4	20 AWG	WHITE	3	3-2834182-2
3	12.7	100	4	20 AWG	WHITE	3	3-2834182-1
2	12.7	254	4	20 AWG	WHITE	2	2-2834182-7
2	12.7	300	4	20 AWG	WHITE	2	2-2834182-6
2	12.7	200	4	20 AWG	WHITE	2	2-2834182-5
2	12.7	100	4	20 AWG	WHITE	2	2-2834182-4
2	12.7	300	4	20 AWG	WHITE	3	2-2834182-3
2	12.7	200	4	20 AWG	WHITE	3	2-2834182-2
2	12.7	100	4	20 AWG	WHITE	3	2-2834182-1
3	12.7	300	4	18 AWG	WHITE	2	1-2834182-6
3	12.7	200	4	18 AWG	WHITE	2	1-2834182-5
3	12.7	100	4	18 AWG	WHITE	2	1-2834182-4
3	12.7	300	4	18 AWG	WHITE	3	1-2834182-3
3	12.7	200	4	18 AWG	WHITE	3	1-2834182-2
3	12.7	100	4	18 AWG	WHITE	3	1-2834182-1
2	12.7	300	4	18 AWG	WHITE	2	2834182-6
2	12.7	200	4	18 AWG	WHITE	2	2834182-5
2	12.7	100	4	18 AWG	WHITE	2	2834182-4
2	12.7	300	4	18 AWG	WHITE	3	2834182-3
2	12.7	200	4	18 AWG	WHITE	3	2834182-2
2	12.7	100	4	18 AWG	WHITE	3	2834182-1


⑤ WIRE COLOR CHART

3	WHITE	WHITE	WHITE	-	-	-	WHITE	WHITE	WHITE	-	-	-
2	RED	RED	RED	BLACK	BLACK	BLACK	RED	RED	RED	BLACK	BLACK	BLACK
1	BLACK	BLACK	BLACK	RED	RED	RED	BLACK	BLACK	BLACK	RED	RED	RED
POS	*-1	*-2	*-3	*-4	*-5	*-6	1*-1	1*-2	1*-3	1*-4	1*-5	1*-6

3	WHITE	WHITE	WHITE	-	-	-	WHITE	WHITE	WHITE	-	-	-	-	-
2	RED	RED	RED	BLACK	BLACK	BLACK	RED	RED	RED	RED	BLACK	BLACK	BLACK	RED
1	BLACK	BLACK	BLACK	RED	RED	RED	BLUE	BLACK	BLACK	BLACK	RED	RED	RED	BLUE
POS	2*-1	2*-2	2*-3	2*-4	2*-5	2*-6	2*-7	3*-1	3*-2	3*-3	3*-4	3*-5	3*-6	3*-7

3	WHITE	WHITE	WHITE	-	-	-	WHITE	WHITE	WHITE	-	-	-
2	RED	RED	RED	BLACK	BLACK	BLACK	RED	RED	RED	BLACK	BLACK	BLACK
1	BLACK	BLACK	BLACK	RED	RED	RED	BLACK	BLACK	BLACK	RED	RED	RED
POS	4*-1	4*-2	4*-3	4*-4	4*-5	4*-6	5*-1	5*-2	5*-3	5*-4	5*-5	5*-6

3	-	-	-	-	-	-
2	BLACK	BLACK	BLACK	BLACK	BLACK	-
1	RED	RED	RED	RED	RED	RED
POS	6*-1	6*-2	6*-3	6*-4	6*-5	7*-2

THIS DRAWING IS A CONTROLLED DOCUMENT.		DNW: ZHANG WEI 22NOV2017	 TE Connectivity
DIMENSIONS: mm		CHK: FU XIAOZH 22NOV2017	
TOLERANCES UNLESS OTHERWISE SPECIFIED:		APVD: SHI MING 22NOV2017	NAME: PLUG CABLE ASSEMBLY MINIATURE WATERPROOF CONNECTOR
0 PLC ± 0.5 1 PLC ± 0.5 2 PLC ± 0.5 3 PLC ± 0.5 4 PLC ± 0.5 ANGLES ± 0.5		PRODUCT SPEC	APPLICATION SPEC
MATERIAL		WEIGHT	RESTRICTED TO
-		-	A2
-		CUSTOMER DRAWING	SCALE: 1:1 SHEET 3 OF 3 REV B

## X-ON Electronics

Largest Supplier of Electrical and Electronic Components

*Click to view similar products for [Lighting Connectors](#) category:*

*Click to view products by [TE Connectivity](#) manufacturer:*

Other Similar products are found below :

[293300-7](#) [293660-5](#) [CNX\\_H03\\_NTP](#) [30-9767-BU](#) [3605](#) [3-21030-1](#) [ZCH-110-RGB-I](#) [503471-0290](#) [ZCH-110-RGB-J](#) [217-0716-200](#)  
[1954563-1](#) [1-293657-2](#) [2834036-1](#) [2834037-1](#) [1-2213222-4](#) [2-2213222-4](#) [2213222-4](#) [2834122-3](#) [2834122-5](#) [2834135-2](#) [FLA-R4142-30](#)  
[FLA-R4162-30](#) [FLA-R2142-30](#) [FLA-R2141-30](#) [FLA-R2162-30](#) [FLA-R2161-30](#) [FLA-R0161-30](#) [FLA-R0141-30](#) [FLA-R0142-30](#) [FLA-](#)  
[R0162-30](#) [FLA-C00-00](#) [DGA00010553](#) [CNXV04NTP](#) [104128-0610](#) [503485-0000 \(Cut Strip\)](#) [503485-0000 \(Loose Piece\)](#) [503485-0000](#)  
[\(MINI Reel\)](#) [1-2834074-2](#) [1-2834074-3](#) [1357-AC PLUG W2C \(CHINA\)](#) [1357-AC PLUG W2 \(USA\)](#) [104266-0110](#) [2106212-1](#) [2-2834074-2](#)  
[104266-0210](#) [293470-1](#) [293651-2](#) [293651-4](#) [1-2834006-2](#) [293651-1](#)